

Apex GTX

PROCHEM

Kärcher Group

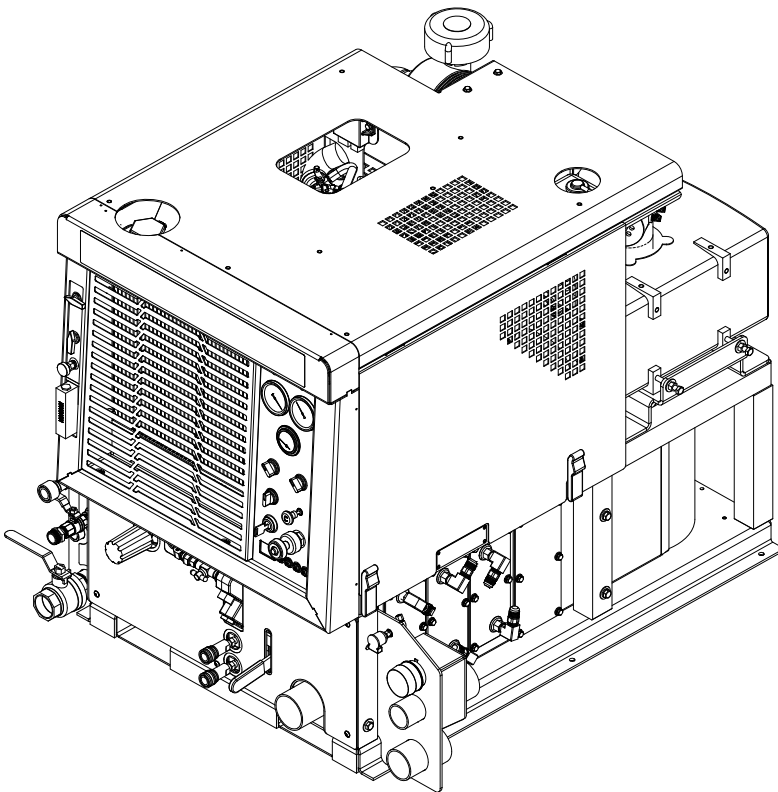
Truck Mount

Operating Instructions (ENG)

MODELS:

**APEX GTX - GAS
1.001-139.0**

**APEX GTX - DIESEL
1.001-140.0**



From Serial Number (Ref No1*)

*See Serial Number Page
in Spare Parts List
or call manufacturer



86410220 - B
04/08/16

Model: _____

Date of Purchase: _____

Serial Number: _____

Dealer: _____

Address: _____

Phone Number: _____

Sales Representative: _____

Overview

Welcome...and congratulations on the purchase of your Mobile Cleaning Unit. This instruction manual is a guide for operating and servicing your unit. Read this manual completely before installing or operating this unit.

This unit offers you personal convenience. All of your instrumentation and controls have been positioned to give you easy access for operation and daily maintenance.

Proper operation and service are essential to the efficient functioning of this unit. When maintained correctly, this unit will have a long, trouble-free life.

The service methods described in this manual are explained in such a manner that servicing may be performed accurately and safely. Proper service varies with the choice of procedure, the skill of the mechanic, and the tools or parts available. Before attempting any repair, make certain that you are thoroughly familiar with this equipment and are equipped with the proper tools. Any questions pertaining to operating or servicing this unit should be directed to your nearest dealer.

THIS UNIT MUST BE INSTALLED BY THE DEALER FROM WHOM YOU PURCHASED IT IN ACCORDANCE WITH THE PRESCRIBED INSTALLATION PROCEDURES.

Information in this document is subject to change without notice and does not represent a commitment on the part of PROCHEM.

Warranty Registration

Thank you for purchasing a Prochem Kärcher Group product. Warranty registration is quick and easy. Your registration will allow us to serve you better over the lifetime of the product.

To register your product go to :

<http://www.prochem.com/WarrantyRegistration.aspx>

For customer assistance:

1-800-444-7654

PROCHEM

Kärcher Group

Receive a complementary package of Prochem Chemicals valued at \$250 with registration.

Table of Contents

Machine Data Label	1
Overview	1
Table of Contents	2
Receiving Your Unit	4
Acceptance Of Shipment	4
Equipment List:	4
How to Use This Manual	5

Safety

IMPORTANT SAFETY INSTRUCTIONS	6
Hazard Intensity Level	10
Safety Labels	12

Installation

Dealer Responsibility	14
Vehicle Requirements	14
Lifting Unit Onto Vehicle	15
Positioning Unit In Vehicle	15
Bolting Down Unit And Waste Tank	15
Layout with 60 Gallon Waste Tank	16
Layout with 100 Gallon Waste Tank	17
Waste Tank To Console Connection	18
Fuel Pump Assembly Installation	18
Van Bulkhead Installation	19
Fuel Supply & Return Line Installation	20
Battery Connection	22

Operations

Technical Specifications	24
Chemical Requirements	25
Water Requirements	25
Fuel and Engine Oil Requirements - Gas	26
Fuel and Engine Oil Requirements - Diesel	27
Components - Upper Control Panel - GAS	28
Components - Upper Control Panel - DIESEL	30
Components	32
Water Pumping And Heat Transfer System	34
Chemical Injection System	36
Vacuum System	37
Pre-Run Inspection / Setup	38
Priming the Chemical Pump	39
Waste Pumpout (Optional)	39
Cleaning	39
Upholstery Cleaning	40
Shutdown And Daily Maintenance	40
De-Flooding Operations	40
Freezing Protection	40
Winterizing Your Unit	41
Removing Anti-Freeze From the Unit	42

Maintenance

Service Schedule	43
Key Checkpoints	45
Engine Coolant System (Radiator) Maintenance	45
External Fuel Pump Maintenance	45
Chemical Supply System Maintenance	45
Heat Exchanger System Maintenance	45
Vacuum Pump Maintenance	45
Engine - Gas	46
Engine - Diesel	47
Vacuum Pump	48
Vacuum Inlet Filter (In Waste Tank)	49
Vacuum Relief Valve	49
Vacuum Pump Drive Belts	49
Solution Pump	49
Solution Pump Drive Belt	50
Float Valve (Water Box)	50
Waste Tank Float Valve	50
Waste Tank Strainer Basket	50
Waste Tank Vacuum Inlet Filter	50
Solution Screen (Outlet)	50
Check Valve (Outlet)	51
Chemical Pump	51
Chemical Metering Valve	51
Pressure Regulator	51
Vacuum Hoses	51
High Pressure Solution Hoses	51
Optional Waste Pump-Out	51
Temperature Balance Orifice	51
Engine Coolant Replacement	52
General Service Adjustments	52
Engine Speed	52
High Altitude Operations - Gas	53
Check Valve (Solution Outlet)	53
Water Box	54
Chemical Pump	54
Packing Nut Adjustments For Chemical Valves	54
Pressure Regulator	55
Troubleshooting	56

Acceptance Of Shipment

Every part of your cleaning unit was carefully checked, tested, and inspected before it left our manufacturing plant. Upon receiving the unit, make the following acceptance check:

1. The unit should not show any outward signs of damage. If damaged, notify the common carrier immediately.
2. Check your equipment and packing list. The standard cleaning unit should arrive equipped with the following items (unless otherwise specified) and any optional accessories which were ordered:

Equipment List:

1. Console.
2. Waste tank
3. Fuel pump assembly
4. 150 ft. of 2" vacuum hose.
5. 2 vacuum hose connectors.
6. 150 ft. of 1/4" high pressure hose with quick connects.
7. 50 ft. water supply hose with quick connect.
8. Installation bolting kit.
9. Installation mounting plates.
10. Operation and service manuals for engine, solution pump, and vacuum pump.
11. Hose clamps for fuel and vacuum hoses.

This manual contains the following sections:

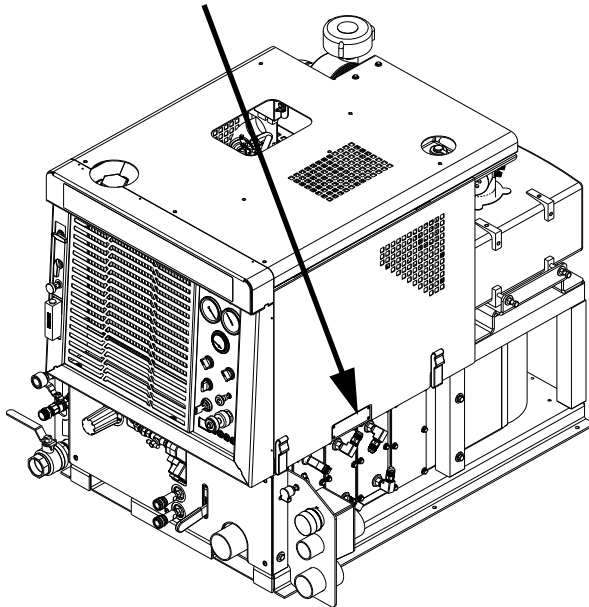
- How to Use This Manual
- Safety
- Installation
- Operations
- Maintenance & Service
- Suggested Spare Parts

The HOW TO USE THIS MANUAL section will tell you how to find important information for ordering correct repair parts.

Parts may be ordered from authorized dealers. When placing an order for parts, the machine model and machine serial number are important. Refer to the MACHINE DATA box which is filled out during the installation of your machine. The MACHINE DATA box is located on the inside of the front cover of this manual.

Model:	_____
Date of Purchase:	_____
Serial Number:	_____
Dealer:	_____
Address:	_____
Phone Number:	_____
Sales Representative:	_____

The model and serial number of your machine is located approximately where shown.



The SAFETY section contains important information regarding hazardous or unsafe practices for this

machine. Levels of hazards are identified that could result in product damage, personal injury, or severe injury resulting in death.

The INSTALLATION section contains information on how to properly install the unit in your vehicle.

The OPERATIONS section is to familiarize the operator with the operation and function of the machine.

The MAINTENANCE section contains preventive maintenance to keep the machine and its components in good working condition. They are listed in this general order:

- Engine
- Vacuum Pump
- Solution Pump
- Drive Belts, Pulleys & Hubs
- Chemical Pump
- Hoses
- Vac / Exhaust Heat Exchanger
- General Service Adjustments
- Machine Troubleshooting

NOTE: If a service or option kit is installed on your machine, be sure to keep the KIT INSTRUCTIONS which came with the kit. It contains replacement parts numbers needed for ordering future parts.

NOTE: The manual part number is located on the lower right corner of the front cover.

IMPORTANT SAFETY INSTRUCTIONS

When using this machine, basic precaution
must always be followed, including the following:

READ ALL INSTRUCTIONS BEFORE USING THIS MACHINE.



These symbols mean **WARNING** or **CAUTION**. Failure to follow warnings and cautions could result in fatality, personal injury to yourself and/or others, or property damage. Follow these instructions carefully!



Read the operator's manual before installing or starting this unit. Failure to adhere to instructions could result in severe personal injury or could be fatal.

Operate this unit and equipment only in a well-ventilated area. Exhaust fumes contain carbon monoxide which is an odorless and deadly poison that can cause severe injury or fatality. **DO NOT** run this unit in an enclosed area. **DO NOT** operate this unit where the exhaust may enter any building doorway, window, vent, or opening of any type.

Gasoline is extremely flammable and its vapors can explode if ignited. Store gasoline only in approved containers, in well-ventilated, unoccupied buildings away from sparks or flames. Never carry any gasoline or flammable material in the vehicle. Fumes may accumulate inside the vehicle and ignite, causing an explosion.

Diesel fuel is flammable and requires special storage. Ensure all diesel fuel use and storage meets local, state, and federal requirements. Never utilize an ether spray to assist starting. Severe engine damage will result.

DO NOT store any type of flammable material in the vehicle.

This unit must be operated with the vehicle or trailer doors open in order to ensure adequate engine ventilation.

DO NOT operate engine if fuel is spilled. Avoid creating any ignition until the fuel has been cleaned up. Never use gasoline as a cleaning agent.

DO NOT place hands, feet, hair, or clothing near rotating or moving parts. Avoid any contact with moving parts! Rotating machinery can cause injury or fatality.

Never operate this unit without belt guards or hoods in place. The high speed moving parts, such as belts and pulleys, should be avoided while this unit is running. Severe injury, damage, or fatality may result.

DO NOT service this unit while it is running. The high-speed mechanical parts as well as high temperature components may result in severe injury or severed limbs.

Never touch electrical wires or components while the engine is running. They can be sources of electrical shock.

Engine components can get extremely hot from operation. To prevent severe burns, **DO NOT** touch these areas while the engine is running - or immediately after the engine is turned off.

DO NOT touch the exhaust system while this unit is running. Severe burns may result.

Before servicing this unit, allow it to cool down. This will prevent burns from occurring.

Water under high pressure at high temperature can cause burns, severe personal injury, or fatality. Shut down machine, allow to cool down, and relieve system of all pressure before removing valves, caps, plugs, fittings, filters, and bolts.

Always wear hearing protection when unit is running. Always comply with local noise ordinance when operating units.

DO NOT leave the vehicle engine running while operating this unit.

Dangerous Acid, Explosive Gases! Batteries contain sulfuric acid. To prevent acid burns, avoid contact with skin, eyes and clothing. Batteries produce explosive hydrogen gas while being charged. To prevent a fire or explosion, charge batteries only in well ventilated areas. Keep sparks, open flames, and other sources of ignition away from the battery at all times. Keep batteries out of the reach of children. Remove all jewelry when servicing batteries.

Before disconnecting the negative (-) ground cable, make sure all switches are OFF. If ON, a spark will occur at the ground cable terminal which could cause an explosion if hydrogen gas or gasoline vapors are present. When disconnecting the battery, **ALWAYS** disconnect the negative (-) terminal FIRST.

DO NOT smoke around the unit. Gas fumes may accumulate and be ignited. The battery is also extremely flammable. This will help to prevent possible explosions.

DO NOT damage the vehicle in any manner during installation. When routing fuel lines **DO NOT** place the hose in any location where damage may occur to the hose or vehicle. Avoid any contact with moving parts, areas of high temperature, brake lines, fuel lines, muffler, catalytic converter, or sharp objects.

Use only Prochem supplied fuel installation kits. Ensure to use the kit specific for the truckmount model and van model being used. When traversing the vehicle floor with fuel lines, always use a bulkhead adapter. This will help to prevent leakage and ensure that the hose is not punctured by vehicle vibration abrasion.

DO NOT exceed your vehicle's weight limit. The console with empty 60 gallon waste tank and accessories weighs approximately 1014 lbs. Make certain to account for any additional accessories in your weight and balance calculations. Make certain that the vehicle has the correct axle rating, to prevent unsafe vehicle driving conditions.

We require high-back seats on all vehicles in which units are to be installed for head and neck protection. We recommend using a metal partition between the seats and equipment.

DO NOT operate this unit without the water supply attached and turned on. The solution pump and other vital components may be seriously damaged if this unit is permitted to operate dry without water. Running with out adequate water supply could damage solution pump. Ensure always to have an adequate water supply.

DO NOT operate this unit without the filter installed in the waste tank.

Keep your vehicle work area clean. Wands, stair tools, and other accessories must be securely fastened before driving the vehicle.

All high pressure hoses must be rated for 3000 PSI at 250°F. Thermoplastic hoses do not meet these specifications and should not be used. Severe burns and injury may result if the hoses do not meet these requirements.

The winterizing loop hose assembly, Part #86260700, is for winterizing use only. If used improperly, live steam may escape from this hose, causing it to whip around. Burns or injury may result.

Make certain that you receive complete training by the distributor from whom you purchased this unit.

This unit uses high pressure and temperature. Improper or irresponsible use may result in serious injury.

Do not modify this unit in any manner. Improper modification can cause severe personal injury or fatality.

CALIFORNIA PROPOSITION 65 WARNING: Engine exhaust from this product contains chemicals known to the State of California to cause cancer, birth defects, or other reproductive harm.

READ AND SAVE THESE INSTRUCTIONS

MESURES DE SÉCURITÉ IMPORTANTES

Lors de l'utilisation d'un appareil à batteries, il est nécessaire de respecter systématiquement des mesures de sécurité de base, comme suit :

PRENEZ NOTE DE TOUTES CES MESURES AVANT D'UTILISER CETTE MACHINE.

⚠ AVERTISSEMENT:

⚠ ATTENTION:

Ces symboles signifient AVERTISSEMENT ou MISE EN GARDE. Le non-respect des avertissements et le non-respect des mises en garde pourraient entraîner la mort, causer des blessures à vous-même et/ou à autrui ou encore des dommages matériels. Veuillez suivre attentivement ces instructions!

Lire le manuel d'utilisation avant d'installer ou de démarrer cet appareil. Le non-respect de ces instructions pourrait causer des blessures graves ou pourrait avoir des conséquences fatales.

Utiliser cet appareil et cet équipement uniquement dans un endroit bien ventilé. Les gaz d'échappement contiennent du monoxyde de carbone qui est un gaz inodore et mortel pouvant causer des blessures graves ou entraîner la mort. **NE PAS** faire fonctionner cet appareil dans un endroit clos. **NE PAS** utiliser cet appareil dans un endroit où les gaz d'échappement risquent de pénétrer dans une entrée de porte, une fenêtre, un évent ou toute ouverture d'un édifice.

L'essence est extrêmement inflammable et ses vapeurs pourraient exploser lorsqu'elles sont enflammées. Entreposer l'essence uniquement dans des contenants approuvés, dans un bâtiment bien ventilé et non occupé, à l'écart des étincelles ou des flammes. Ne jamais transporter de l'essence ou des substances inflammables dans le véhicule. Les vapeurs pourraient s'accumuler à l'intérieur du véhicule et s'enflammer, causant une explosion.

Le carburant diesel est inflammable et exige des conditions de stockages particulières. S'assurer que toute utilisation et tout stockage de carburant diesel respecte les exigences locales, provinciales et fédérales. Ne jamais utiliser une pulvérisation d'éther pour faciliter le démarrage. Cela pourrait endommager gravement le moteur.

N'entreposer AUCUN type de substance inflammable dans le véhicule.

Cet appareil doit être utilisé avec la porte du véhicule ou de la remorque ouverte afin de garantir une bonne ventilation du moteur.

NE PAS utiliser le moteur si du carburant a été renversé. Éviter de créer une source d'inflammation jusqu'à ce que le carburant ait été nettoyé. Ne jamais utiliser d'essence en tant qu'agent de nettoyage.

NE PAS placer les mains, les pieds, les cheveux ou les vêtements à proximité des pièces rotatives ou mobiles. Éviter tout contact avec les pièces mobiles! Les machines tournantes peuvent entraîner des blessures ou la mort.

Ne jamais utiliser cet appareil sans garde-courroie ou capot en place. Les pièces se déplaçant à haute vitesse, comme les courroies et les poulies, devraient être évitées durant le fonctionnement de cet appareil. Cela pourrait causer des blessures graves, des dommages ou la mort.

NE PAS réparer cet appareil pendant qu'il est en marche. Les pièces mécaniques se déplaçant à haute vitesse de même que les composantes à température élevée peuvent causer des blessures graves ou des amputations.

Ne jamais toucher aux fils ou composants électriques pendant que le moteur est en marche. Ils peuvent provoquer des chocs électriques.

Les composants du moteur peuvent devenir extrêmement chauds durant le fonctionnement. Pour éviter les brûlures, **NE PAS** toucher à ces zones pendant que le moteur est en marche - ou immédiatement après son fonctionnement.

NE PAS toucher au système d'échappement lorsque l'appareil est en marche. Cela pourrait causer des brûlures.

Laisser refroidir l'appareil avant d'en effectuer l'entretien. Cela permettra de prévenir les brûlures.

De l'eau sous haute pression dont la température est élevée peut causer des brûlures, des blessures graves ou la mort. **Mettre l'appareil hors tension, le laisser refroidir et décompresser tout le système avant de retirer les soupapes, les capuchons, les bouchons, les raccords, les filtres et les boulons.**

Toujours porter une protection de l'ouïe durant le fonctionnement de l'appareil. Toujours se conformer à l'ordonnance locale sur la protection contre le bruit lors de l'utilisation d'appareils.

NE PAS laisser tourner le moteur du véhicule lors de l'utilisation de cet appareil.

Acide dangereux, gaz explosifs! Les batteries contiennent de l'acide sulfurique. Pour prévenir les brûlures par acides, éviter tout contact avec la peau, les yeux et les vêtements. Les batteries produisent du gaz hydrogène explosif pendant la charge. Pour empêcher tout incendie ou toute explosion, charger les batteries uniquement dans des endroits bien ventilés. Garder la batterie à l'écart des étincelles, de la flamme nue et de toute autre source d'inflammation en tout temps. Garder les batteries hors de la portée des enfants. Enlever tous les bijoux au moment de procéder à l'entretien des batteries.

Avant de débrancher le câble de terre négatif (-), s'assurer que tous les commutateurs se trouvent en position OFF (arrêt). S'ils se trouvent en position ON (Marche), une étincelle au niveau de la borne du câble de terre pourrait causer une explosion si du gaz hydrogène ou des vapeurs d'essence sont présents. Au moment de déconnecter la batterie, **TOUJOURS** déconnecter d'ABORD la borne négative (-).

NE PAS fumer à proximité de l'appareil. Des émanations pourraient s'accumuler et prendre feu. La batterie est également extrêmement inflammable. Cela permettra de prévenir toute possibilité d'explosion.

NE PAS endommager le véhicule de quelque façon que ce soit durant l'installation. Lors de l'acheminement des conduits de carburant, **NE PAS** placer le flexible dans un endroit où le flexible ou le véhicule risquerait de subir des dommages. Éviter tout contact avec les pièces mobiles, les zones à température élevée, les conduites de frein, les conduits de carburant, le silencieux, le convertisseur catalytique ou les objets tranchants.

Utiliser uniquement des trousse d'installations de carburant fournies par Prochem. S'assurer d'utiliser une trousse spécifique aux modèles montés sur camion et camionnette. Au moment d'acheminer les conduits de carburant dans le plancher du véhicule, toujours utiliser un adaptateur passe-cloison. Cela permettra de prévenir les fuites et de s'assurer que le flexible ne soit pas perforé par les abrasions causées par la vibration du véhicule.

NE PAS excéder la limite de poids du véhicule. Le poids de la console avec le réservoir à décharge de 227 litres (60 gallons) et les accessoires est d'environ 460 kg (1 014 lb). S'assurer de tenir compte de tout accessoire supplémentaire au moment du calcul du poids et de l'équilibre. S'assurer que le calibre des essieux du véhicule est adéquat afin d'éviter des conditions de conduite dangereuses.

Nous exigeons des sièges baquets dans tous les véhicules dans lesquels des appareils sont installés pour une meilleure protection de la tête et du cou. Nous recommandons d'utiliser une cloison métallique entre les sièges et l'équipement.

NE PAS utiliser cet appareil si l'alimentation en eau n'est pas attachée et ouverte. La pompe à solution et les autres composants essentiels risqueraient d'être sérieusement endommagés si l'appareil fonctionne à sec sans eau. Le fonctionnement sans un approvisionnement en eau adéquat pourrait endommager la pompe à solution. S'assurer également que l'alimentation en eau est adéquate.

NE PAS utiliser cet appareil sans avoir installé le filtre dans le réservoir à décharge.

Garder la zone de travail du véhicule propre. Les lances, les outils pour marche d'escalier et les autres accessoires doivent être fermement attachés avant de conduire le véhicule.

Tous les flexibles de haute pression doivent avoir une capacité d'au moins 3 000 PSI à 121 °C (250 °F). Les flexibles thermoplastiques ne répondent pas à ces spécifications et ne devraient pas être utilisés. Des brûlures et des blessures graves peuvent être causées si les flexibles ne satisfont pas à ces exigences.

L'ensemble du flexible de boucle d'hivernisation, no de pièce 86260700, sert à l'hivernisation uniquement. Si elle n'est pas utilisée de façon adéquate, de la vapeur vive pourrait s'échapper de ce flexible et l'amener à fouetter l'air tout autour. Cela risquerait de causer des brûlures ou des blessures.

S'assurer de recevoir la formation complète par le distributeur auprès duquel l'appareil a été acheté.

L'appareil utilise des pressions et des températures élevées. Une utilisation inappropriée ou irresponsable pourrait causer des blessures graves.

Ne pas modifier cet appareil de quelque manière que ce soit. Toute modification inappropriée pourrait causer des blessures graves ou la mort.

AVERTISSEMENT EN VERTU DE LA PROPOSITION 65 DE L'ÉTAT DE LA CALIFORNIE : L'échappement du moteur de ce produit contient des agents chimiques connus, dans l'État de la Californie, comme pouvant causer le cancer, des anomalies congénitales ou d'autres problèmes liés à la reproduction.

CONSERVER CES INSTRUCTIONS

The following symbols are used throughout this guide as indicated in their descriptions:

Hazard Intensity Level

There are three levels of hazard intensity identified by signal words - **WARNING** and **CAUTION** and **FOR SAFETY**. The level of hazard intensity is determined by the following definitions:



WARNING - Hazards or unsafe practices which COULD result in severe personal injury or death.



CAUTION - Hazards or unsafe practices which could result in minor personal injury or product or property damage.

FOR SAFETY: To Identify actions which must be followed for safe operation of equipment.

Report machine damage or faulty operation immediately. Do not use the machine if it is not in proper operating condition. Following is information that signals some potentially dangerous conditions to the operator or the equipment. Read this information carefully. Know when these conditions can exist. Locate all safety devices on the machine. Please take the necessary steps to train the machine operating personnel.

FOR SAFETY:

DO NOT OPERATE MACHINE:

Unless Trained and Authorized.

Unless Operation Guide is Read and understood.

In Flammable or Explosive areas.

In areas with possible falling objects.

WHEN SERVICING MACHINE:

Avoid moving parts. Do not wear loose clothing; jackets, shirts, or sleeves when working on the machine. Use Prochem approved replacement parts.

Les symboles ci-dessous sont utilisés à travers ce manuel comme illustré dans leurs descriptions :

DEGRÉS DE RISQUES EN CAS DE DANGER

Il existe trois degrés de risques identifiés par les termes signalétiques –**AVERTISSEMENT** et **ATTENTION** et **POUR VOTRE SÉCURITÉ**. Le degré de risque est défini de la manière suivante:

⚠ AVERTISSEMENT:

AVERTISSEMENT - Dangers ou méthodes dangereuses qui **POURRAIENT** provoquer de graves blessures ou entraîner la mort.

⚠ ATTENTION:

ATTENTION - Dangers ou méthodes dangereuses qui pourraient provoquer des blessures légères ou une détérioration du produit ou des biens immobiliers.

POUR VOTRE SÉCURITÉ: ce signe permet d'identifier les mesures de précaution à prendre pour assurer un bon fonctionnement du matériel.

Rendre compte immédiatement d'une défaillance ou d'une détérioration de la machine. Ne pas utiliser la machine si celle-ci ne fonctionne pas correctement. Lire soigneusement les informations ci-dessous signalant certains dangers potentiels pour l'opérateur de la machine. L'opérateur doit être absolument au courant de ces dangers potentiels. Localiser tous les dispositifs de sécurité sur la machine. Il est conseillé de prendre les mesures nécessaires pour former le personnel opérateur.

POUR VOTRE SÉCURITÉ: NE PAS MANOEUVRER LA MACHINE:

Lorsqu'on n'est pas expérimenté ou qualifié.
Lorsque le guide d'utilisation n'est pas été lu ou compris.
Dans des zones inflammables ou explosives.
Dans des zones où des objets peuvent tomber.

LORS DE L'ENTRETIEN DE LA MACHINE:

Éviter les parties amovibles. Ne pas porter de vêtements amples, tels que des vestes, des chemises ou des vêtements avec manches lors de l'utilisation de la machine. Utiliser les pièces détachées homologuées.

Safety Labels

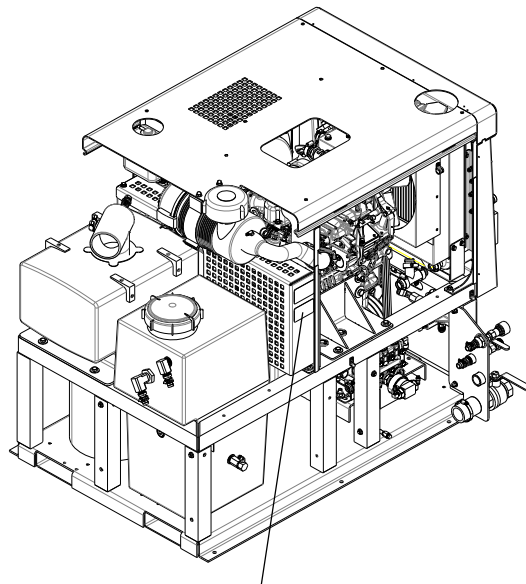
The following **WARNING LABELS** are found on your cleaning unit. These labels point out important **Warnings** and **Cautions** which should be followed at all times. Failure to follow warnings and cautions could result in fatality, personal injury to yourself and/or others, or property damage. Follow these instructions carefully! **DO NOT** remove these labels.

NOTE: *If at any time the labels become illegible, promptly replace them.*

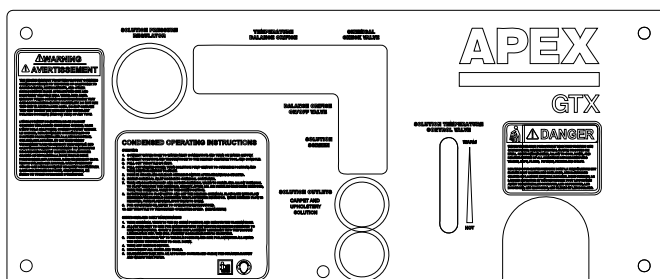
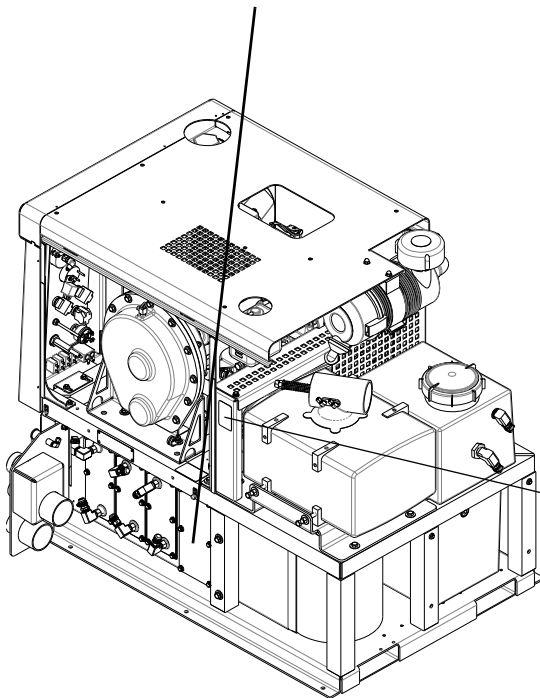
REMARQUE: *Les schémas ci-dessous indiquent l'emplacement des plaques de sécurité. Si les plaques deviennent illisibles, les remplacer immédiatement.*



Caution label
P/N 86186530



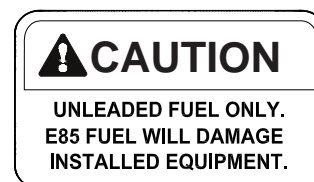
Warning Label
P/N 86186520



Front panel decal with warning labels

Gas Models - P/N 86409310

Diesel Models - P/N 86409320



Caution Label
P/N 86352580
Installation on vehicle fuel door.

Dealer Responsibility

Your distributor from whom you purchased this mobile cleaning unit is responsible for correct installation of this machine. The dealer is also responsible for initial training of your operators and maintenance personnel in proper operation and maintenance of this unit.

Vehicle Requirements

1. The unit should NOT be mounted in any motor vehicle of less than 3/4 ton capacity.

CAUTION:

DO NOT exceed the vehicle's axle weight limit. Include the console, full tanks, accessories, and operators in calculations.

ATTENTION:

NE PAS excéder la limite de poids des essieux du véhicule. Inclure la console, les réservoirs pleins, les accessoires et les opérateurs au moment d'effectuer les calculs.

2. If mounting in a trailer, make certain that trailer is rated for the total weight of **UNIT AND TRAILER**. Electric or hydraulic brakes should be provided, and a strict compliance with any State and Federal vehicle laws must be maintained.
3. The vehicle tires should have a load rating above the combined vehicle and unit weight.
4. We do not recommend using flooring materials that absorb water. This could result in rust and corrosion of the vehicle floor.
5. Padding under rubber floor mats should be removed before installing this unit.
6. We highly recommend using a drip tray under console (Part #86055040).
7. If using a trailer, console should be positioned so that it balances properly with respect to axle. Ten percent (10%) of the overall unit weight should be on tongue.

Example: If loaded trailer weight is 2,000 lbs., tongue weight needs to be a minimum of 200 lbs. to tow properly.

Lifting Unit Onto Vehicle

Since console weighs approximately 910 lbs. pounds, we recommend using a forklift to lift unit onto vehicle. Position forks under unit from front and make CERTAIN that forks are spread to insert into frame slots.

Positioning Unit In Vehicle

Because vehicles vary in size and openings, individuals have their own preference as to where they want their units installed. We strongly recommend a side door installation for this and **DO NOT** recommend a rear door installation.

1. Enough space should be provided to assure adequate engine ventilation and room for service and maintenance.
2. The unit with waste tank and accessories must **NOT** exceed vehicle's axle weight limit. An empty 60 gallon waste tank and console weighs 1130 lbs.
3. **DO NOT** position the console closer than 12" from bottom of driver and passenger seats.

NOTE: For individuals who wish to make an engineering layout prior to positioning unit, refer to "Dimensional Data" illustrations for waste tank and console dimensions.

Bolting Down Unit And Waste Tank

NOTE: When positioning waste tank with respect to console, hook up the vacuum hose to waste tank. This will ensure that waste tank is positioned correctly. Proceed once unit and waste tank are positioned in vehicle in desired location.

CAUTION:

Before drilling any mounting holes in vehicle floor, make certain that when drilling, you will not do any damage to fuel tank, fuel lines, or any vital component which might affect operation or safety of vehicle.

ATTENTION:

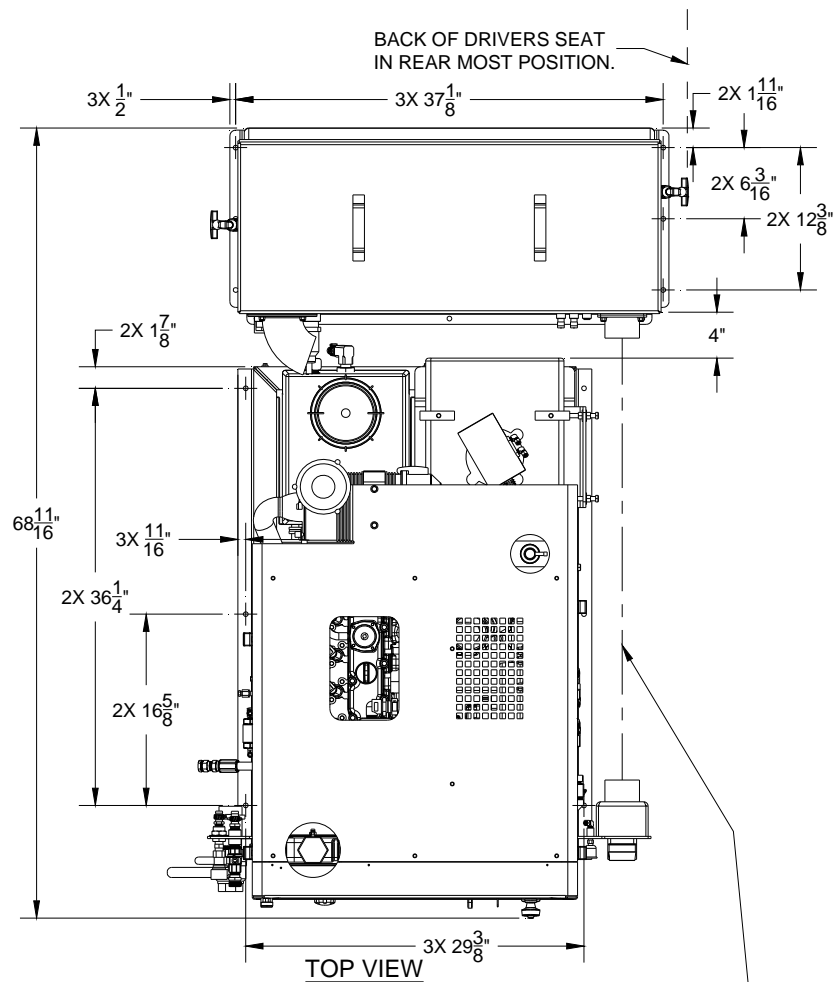
Avant de percer les trous de montage dans le plancher du véhicule, s'assurer que les trous ne causeront aucun dommage au réservoir à carburant, aux conduits de carburant ou tout autre composant essentiel qui pourrait affecter le fonctionnement ou la sécurité du véhicule.

1. Using console and waste tank mounting holes as a template, drill six 13/32" diameter holes for mounting console and six more 13/32" diameter holes for mounting waste tank.
2. Using installation hardware kit:
 - a. Insert six 3/8-16 x 2" hex head cap screws with flat washers through mounting holes in console, and six 3/8-16 x 2" hex head cap screws with flat washers through mounting holes in waste tank.
 - b. Install mounting plates underneath vehicle floor.
 - c. Screw 3/8-16 hex head locknuts on mounting screws and tighten them until console and waste tank are firmly secured to vehicle floor.

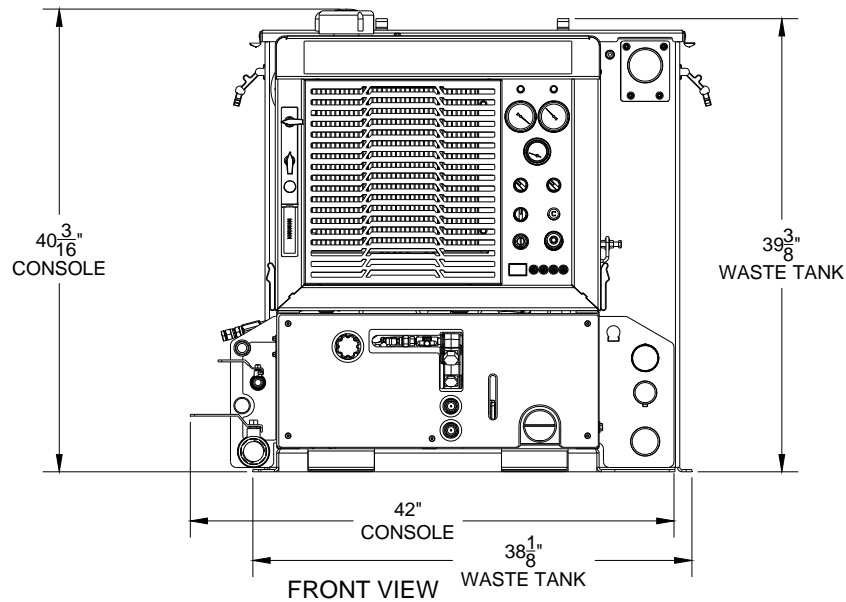
Electrical Wiring

Ensure all electrical wiring and battery cables are free from contact with any metal edge. Engine vibration could cause metal edge to cut wiring and possibly result in a fire. Be aware of where battery cables are run.

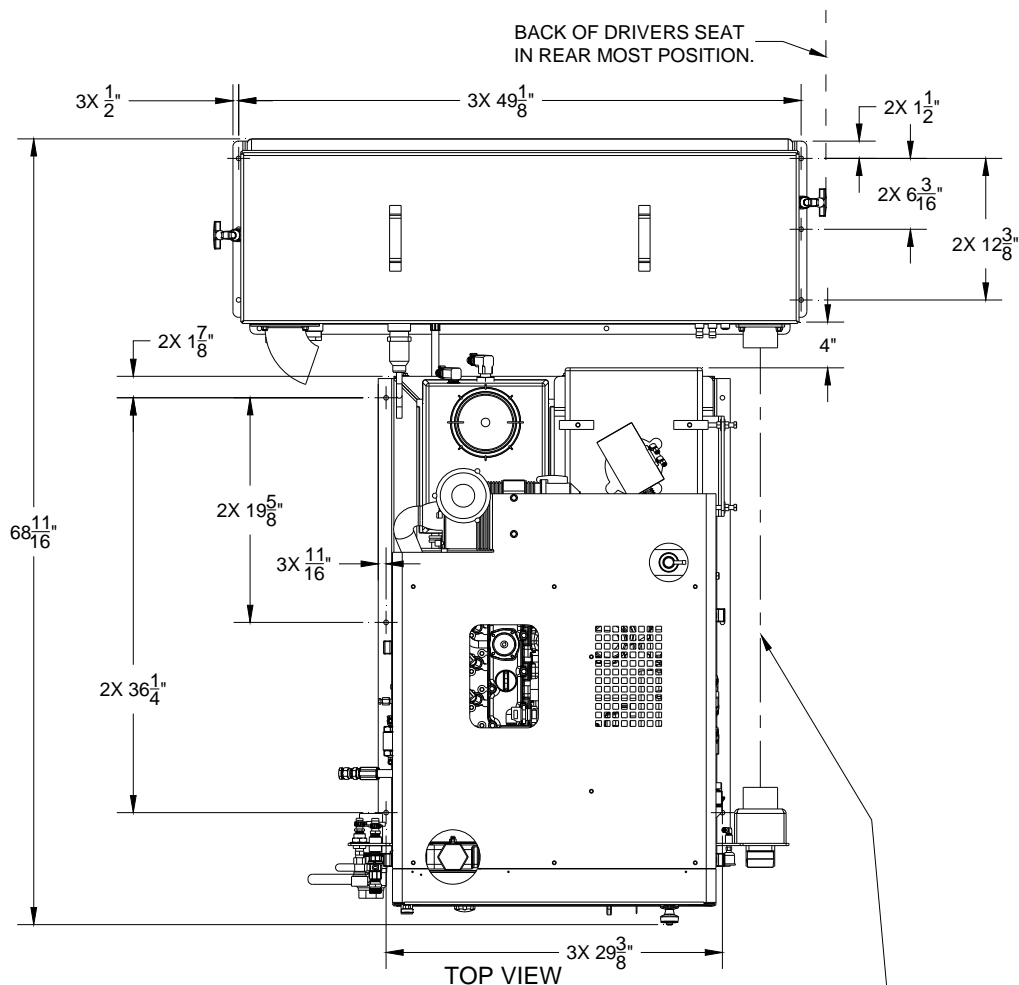
Layout with 60 Gallon Waste Tank



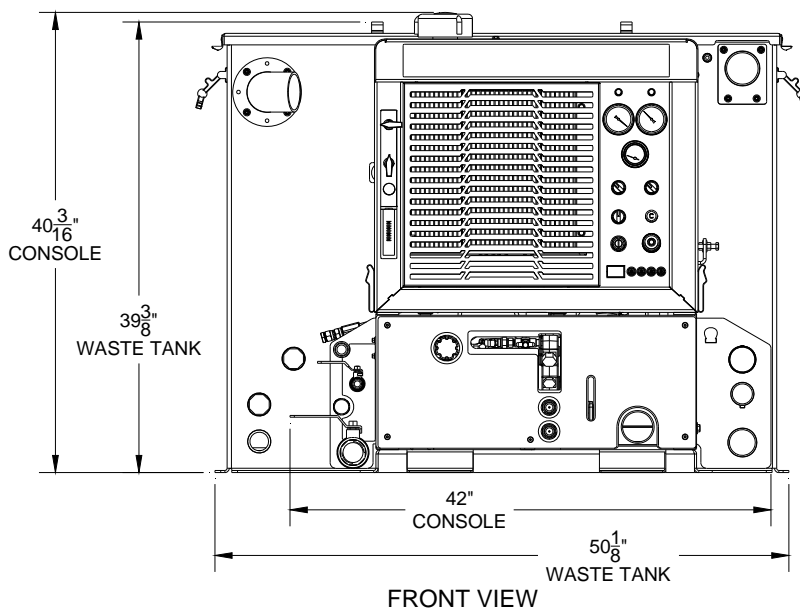
ENSURE THAT VAC INLETS ON CONSOLE
AND WASTE TANK ARE ALIGNED.



Layout with 100 Gallon Waste Tank



ENSURE THAT VAC INLETS ON CONSOLE
AND WASTE TANK ARE ALIGNED.



Waste Tank To Console Connection

NOTE: Before connecting any hoses to the waste tanks, make certain the hose clamps are on each hose.

1. Connect the section of 3.5" I.D. internal vac hose between the 3.5" dia. vac outlet tube on the waste tank and the vacuum pump relief valve on the console. It may be necessary to cut this hose to fit. Tighten the hose clamps.
2. Connect the 2" I.D. waste removal hose to the 2" dia. tube at the bottom corner of the waste tank. Connect other end to 2" tube labeled "Waste Tank Drain" on the console left side panel. Tighten the hose clamps.
3. Connect 3" I.D. hose between waste tank vacuum inlet (upper right of waste tank) and vacuum inlet on right side panel of console.
4. Connect the 3/16" blue hose from the water box to the lower flare fitting (angled downward) on the waste tank.
5. Run the 5/8" water box overflow hose through the van floor. Prior to drilling through the van floor, ensure that no damage will occur in drilling area. Ensure that you are in compliance with all local environmental laws.
6. Connect the console engine shut-off cord to the waste tank level sensor cord.
7. Connect the 3/16" blue hose from the flow setup valve to the remaining 1/4" flare fitting with jet on inside of waste tank.

Fire Extinguisher

We recommend that a fire extinguisher, preferably rated for A, B, & C type fires, be installed inside the vehicle.

Fuel Pump Assembly Installation

! WARNING:

Before drilling the fuel line holes in the vehicle floor, make certain that when drilling you will not do any damage to the fuel tank(s), fuel lines, brake lines, heat shields, or any other vital component which might affect the operation or safety of the vehicle.

! AVERTISSEMENT:

Avant de percer les trous de ligne de carburant dans le plancher du véhicule, assurez-vous que lorsque vous percez vous ne serez pas faire des dommages au réservoir de carburant (s), les conduites de carburant, les conduites de frein, boucliers thermiques, ou tout autre élément essentiel qui affectent le fonctionnement ou la sécurité du véhicule.

! WARNING:

Do not mount this assembly, any hoses or components near the catalytic converter, exhaust, or any areas of high temperature. Avoid any contact with moving parts, areas of high temperature, brake lines, fuel lines, muffler, catalytic converter, or sharp objects.

! AVERTISSEMENT:

Ne pas monter cet ensemble, les flexibles ou les composants à proximité du convertisseur catalytique, de l'échappement ou de toute zone où la température est élevée. Éviter tout contact avec les pièces mobiles, les zones à température élevée, les conduites de frein, les conduits de carburant, le silencieux, le convertisseur catalytique ou les objets tranchants.

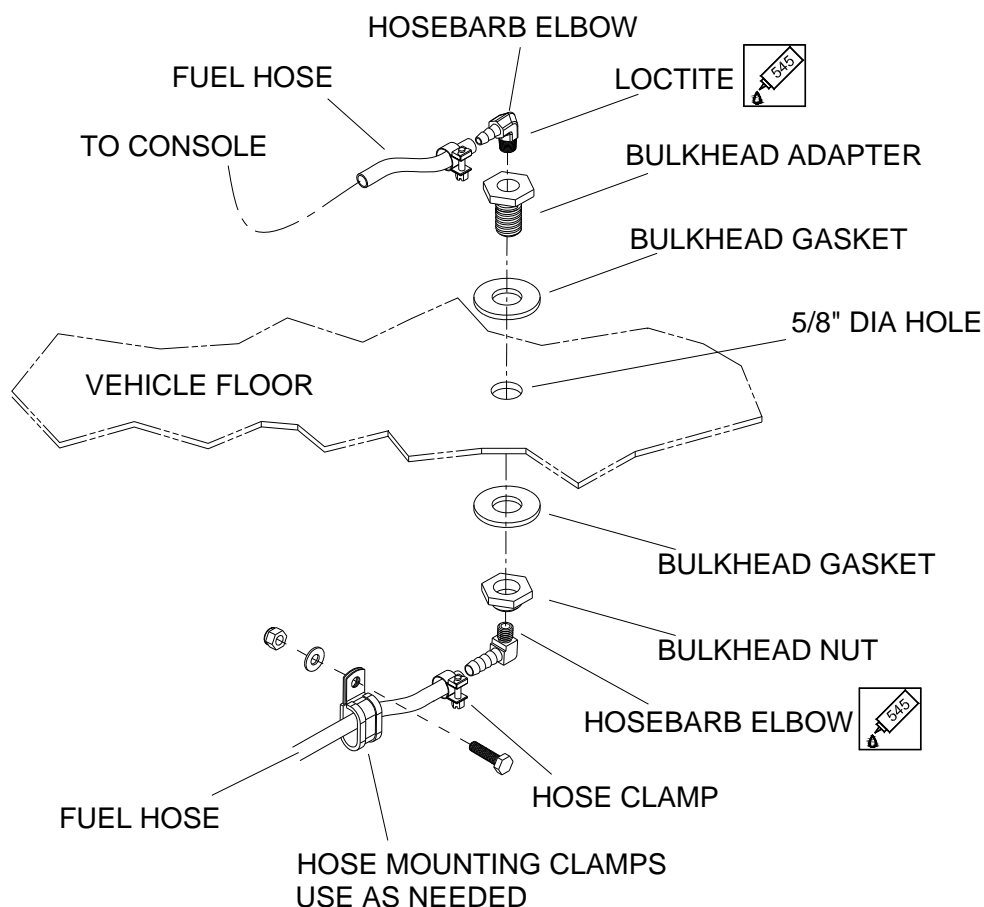
1. Determine the position where the fuel pump assembly will be mounted. Check to ensure that the power cord length will support the mounting location. The pump should be mounted as low as possible and still be protected by the frame from road hazards. **Mount the fuel pump with the discharge side of the pump higher than the suction side to eliminate the possibility of trapped air in the pump.** Additional mounting holes are provided to allow for different mounting options.
2. Drill a 5/8" (.625) diameter hole in the vehicle floor for routing the fuel pump power cord to the truck-mount console. Check to ensure that the cord length will support the location of the hole.
3. Route the power cord and install the hole grommet.
4. Do not connect the power cord to the truckmount console wiring harness until installation is complete.

Van Bulkhead Installation

1. Select a location on the vehicle floor to drill the hole for the bulkhead adapter. This location should be situated in a position that eliminates the possibility of fuel line contact by either the operator(s) or accessories during the working hours or maintenance periods. Make certain that the supplied hoses will reach the location and work with the configuration you choose.
2. Drill a 5/8" (.625) diameter hole through the vehicle floor at the installation point chosen for the bulkhead.
3. Install the 1/8 NPT bulkhead adapter by inserting the adapter and tightening the nut on the opposite side of the van floor.
4. Attach the 1/8 NPT x 5/16 Hosebarb 90 degree elbow to the bulkhead inside the van to connect the fuel system to the console.
5. Attach the 5/16" fuel hose from the console to the 5/16" Hosebarb 90 degree elbow on the bulkhead.

Diesel fueled models will require a 2nd bulkhead installed for the return line to the fuel supply.

1. Locate, drill and install the bulkhead as above.
2. Attach the 1/8 NPT x 3/16 hosebarb 90 degree elbow to the other bulkhead inside the van. Attach the 3/16 return fuel hose from the console to the hosebarb elbow. Clamp hose to elbow with 1/4 hose clamp.



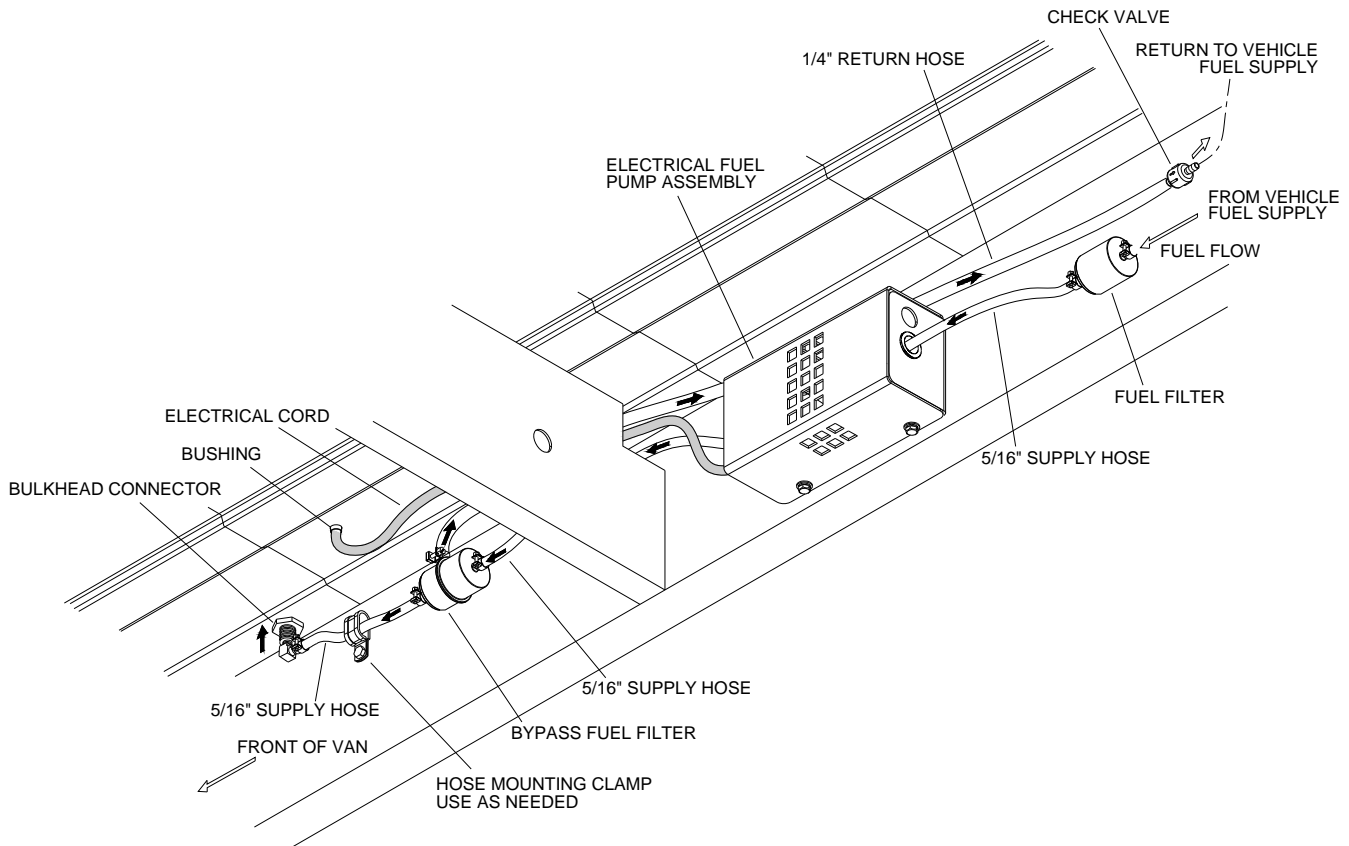
Fuel Supply & Return Line Installation

GAS MODELS

(Underneath Van)

1. Attach the 1/8 NPT x 5/16 Hosebarb 90 degree elbow (86179920) to the bulkhead adapter underneath the van to be used for the fuel supply line.
2. Cut to length the 6' piece of 5/16" 50 PSI fuel hose (86184980) used for the supply line from:
 - a. Bulkhead adapter to the outlet side of the bypass fuel filter (86181620).
 - b. Inlet side of the bypass fuel filter to the discharge side of the fuel pump.
 - c. Inlet side of the fuel pump to the outlet side of the inline fuel filter (86180960).
3. Cut to length the 6' piece of 1/4" fuel line (86282410) to connect the bypass fuel filter with the fuel tank return using the appropriate fuel tap kit.
4. Check all hose clamps for tightness.

NOTE: Fuel tap kit installation instructions are found with appropriate fuel tap kit. Refer to Fuel Tap Kit Information Sheet (8.634-994.0)



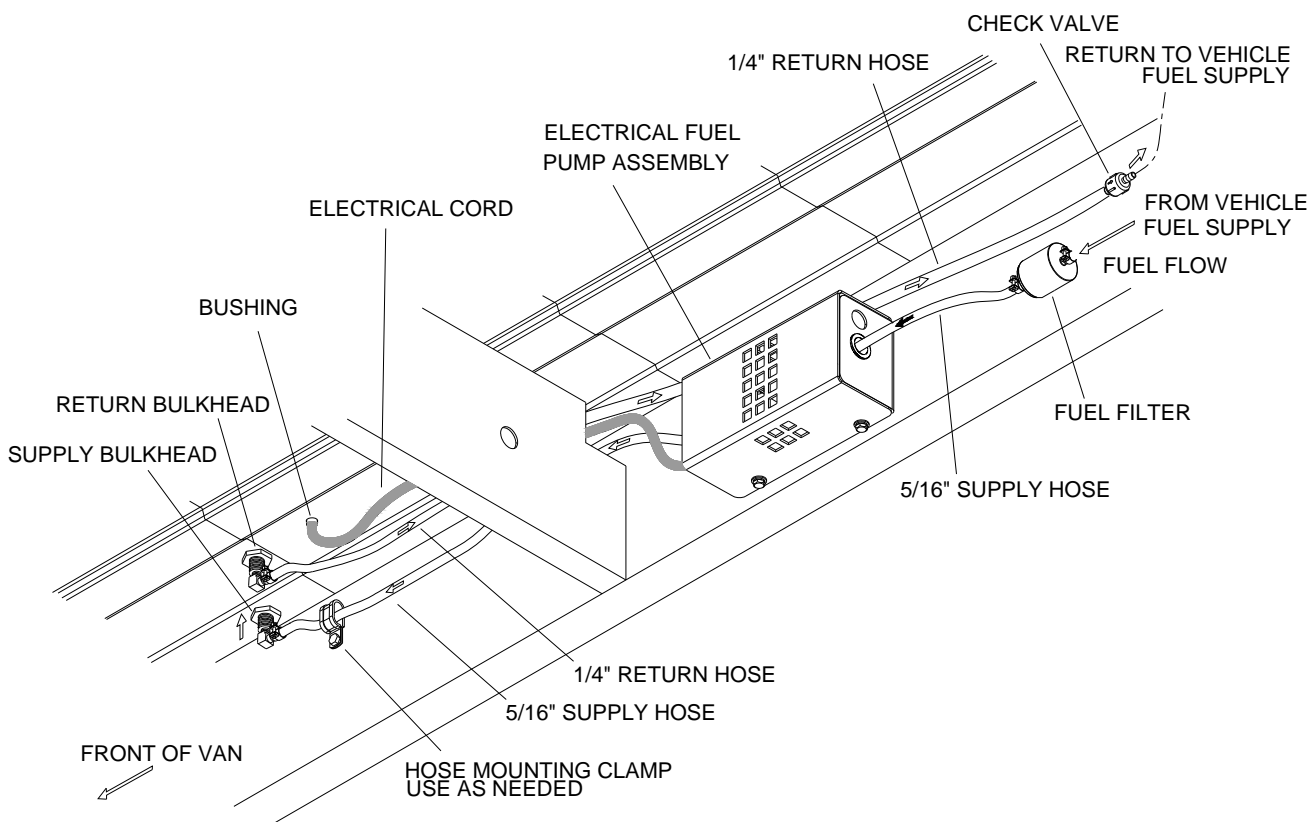
Fuel Supply & Return Line Installation

DIESEL MODELS

(Underneath Van)

1. Attach the 1/8 NPT x 5/16 hosebarb 90 degree elbow (86179920) to the underside of supply line bulkhead (5/16 hosebarb inside the van).
2. Attach the 1/8 NPT x 1/4 hosebarb 90 degree elbow (86179930) to the underside of return fuel bulkhead (3/16 hosebarb inside the van).
3. Cut to different lengths the 6 foot piece of 5/16" 50PSI fuel hose (86282480) for the fuel supply from:
 - a. Fuel supply bulkhead to the discharge side of the fuel pump.
 - b. Inlet side of fuel pump to the outlet side of the fuel filter (86180960).
4. Cut to length the 1/4" fuel hose (86282410) for the fuel return. The hose runs from the fuel return bulkhead to the check valve. The vehicle's appropriate fuel tap kit will connect to the other side of the check valve, and will return the fuel to the vehicle's fuel supply system.
5. Check all hose clamps for tightness.

NOTE: Fuel tap kit installation instructions are found with appropriate fuel tap kit. Refer to Fuel Tap Kit Information Sheet (8.634-994.0)



Battery Connection

! WARNING:

Dangerous Acid, Explosive Gases! Batteries contain sulfuric acid. To prevent acid burns, avoid contact with skin, eyes, and clothing.

Batteries produce explosive hydrogen gas while being charged. To prevent a fire or explosion, charge batteries only in well-ventilated areas. Keep sparks, open flames, and other sources of ignition away from the battery at all times. Keep batteries out of the reach of children. Remove all jewelry when servicing batteries.

Before disconnecting the negative (-) ground cable, make sure all switches are OFF. If ON, a spark will occur at the ground cable terminal which could cause an explosion if hydrogen gas or gasoline vapors are present. When disconnecting the battery, ALWAYS disconnect the negative (-) terminal FIRST.

! AVERTISSEMENT:

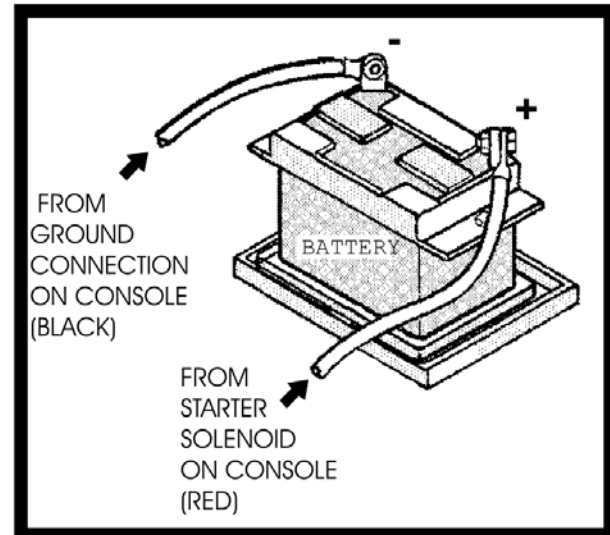
Acides dangereux, gaz explosifs! Les batteries contiennent de l'acide sulfurique. Pour prévenir les brûlures par acides, éviter tout contact avec la peau, les yeux et les vêtements.

Les batteries produisent du gaz hydrogène explosif pendant la charge. Pour empêcher tout incendie ou toute explosion, charger les batteries uniquement dans des endroits bien ventilés. Garder la batterie à l'écart des étincelles, de la flamme nue et de toute autre source d'inflammation en tout temps. Garder les batteries hors de la portée des enfants. Enlever tous les bijoux au moment de procéder à l'entretien des batteries.

Avant de débrancher le câble de terre négatif (-), s'assurer que tous les commutateurs se trouvent ne position OFF (arrêt). S'ils se trouvent en position ON (Marche), une étincelle au niveau de la borne du câble de terre pourrait causer une explosion si du gaz hydrogène ou des vapeurs d'essence sont présents. Au moment de déconnecter la batterie, TOUJOURS déconnecter d'ABORD la borne négative (-).

1. Attach the red positive (+) battery cable from the console starter solenoid to the positive (+) terminal on the battery and tighten the holding nut.
2. Next, attach the black negative (-) battery cable from the console ground to the negative (-) terminal on the battery and tighten the holding nut.

BATTERY HOOK-UP



Technical Specifications

ITEM	DIMENSION/CAPACITY
Engine speed - GAS MODELS	2500 rpm +50 (high speed) Water Pump ON 1500 rpm +50 (idle speed) Water Pump OFF.
Engine speed - DIESEL MODELS	2650 rpm (high speed) Water Pump ON 1300 rpm (idle speed) Water Pump OFF.
Vacuum pump rpm - GAS MODELS	3100 rpm
Vacuum pump rpm - DIESEL MODELS	2600 rpm
Solution pump rpm	965 - 1000 rpm
Water flow rate	4.15 GPM (maximum)
Solution pump pressure	1200 PSI (maximum)
Vacuum relief valve	13" Hg
Waste tank capacity	60 gallons / 100 gallons
Console weight	910 lbs.
Console weight (with 60 gallon waste tank & waste tank accessories)	1130 lbs. (1565 lbs. If waste tank is full)
Console weight (with 100 gallon waste tank & waste tank accessories)	1140 lbs. (1765 lbs. If waste tank is full)
TORQUE VALUES	
Engine hub	300 inch lbs 25 foot/lbs
Vacuum pump hub	300 inch/lbs 25 foot/lbs
Engine rear pulley	360 inch/lbs 30 foot/lbs

Chemical Requirements

This cleaning unit, due to its chemical injection pump design, can be used with a variety of water-diluted chemical compounds (either acidic or alkaline), depending on the job to be done. However, to obtain optimum results with this unit, we recommend using the PROCHEM line of chemicals. For information on using the cleaning compounds, refer to the chemical manual.

Water Requirements

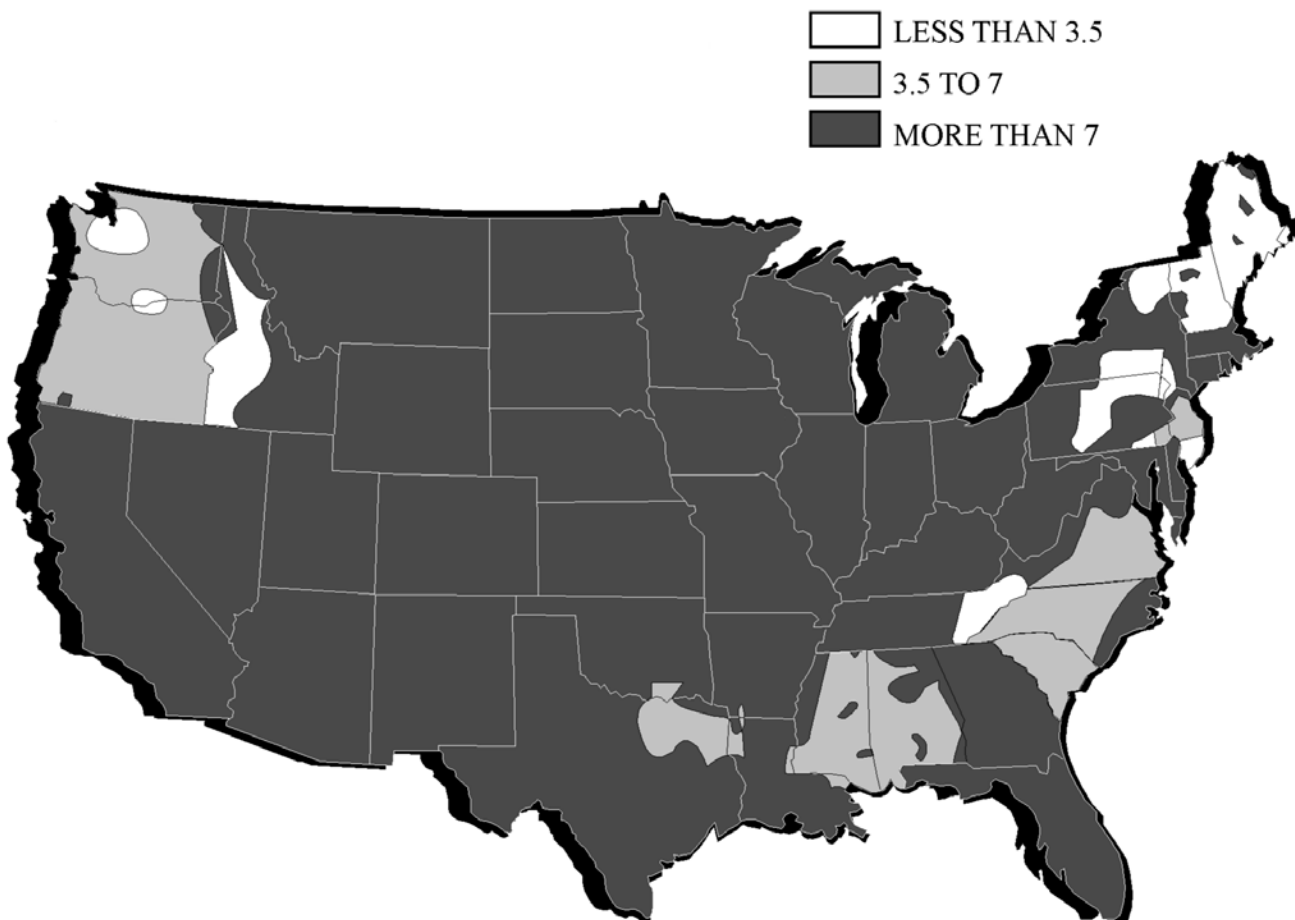
Hard water deposits will adversely affect the plumbing and heat exchange systems on this unit. The map below will give you an idea of where areas of high water hardness may occur. However, any water supply obtained from a well is almost always hard water and a water softener will be needed to protect your equipment.

NOTE: Equipment malfunction or component failure caused by hard water scaling is NOT covered under the warranty.

If you are operating this unit in an area where the unit will be using water in which the hardness exceeds 3-1/2 grains, we highly recommend a suitable water softener be installed. If using a water softener, it must have a five (5) GPM (or greater) flow capacity without any hose constrictions.

Using a water softener will reduce maintenance and decrease down time caused by hard water scaling. It will also allow cleaning chemicals to be more effective in lower concentrations

If you require a water softener, your dealer has a model to meet your needs. Please contact your nearest distributor for information, price, and availability.



Fuel and Engine Oil Requirements - Gas

Fuel

Use unleaded gasoline ONLY. DO NOT use any gasoline additives. We recommend the use of clean, fresh, unleaded gasoline intended for automotive use. **High octane gasoline should NOT be used with the engine on this unit.**

Engine Oil

Use high quality detergent oil of at least API (American Petroleum Institute) service class SF or SG. Select the viscosity based on the air temperature at the time of operation as shown in the following table. NOTE: Using less than service class SF or SG oil or extending oil change intervals longer than recommended can cause engine damage. The recommended SAE viscosity grade is 10W-30.

Fuel and Engine Oil Requirements - Diesel

Use diesel fuel ONLY.

CAUTION:

NEVER use starting fluid (i.e. ether) to assist in starting engine. Severe engine damage will result.

ATTENTION:

Ne JAMAIS utiliser de liquide d'allumage (c.-à-d. de l'éther) pour faciliter le démarrage du moteur. Cela causerait des dommages graves au niveau du moteur.

Engine Oil Requirements

1. Lubricating Oil

With the emission control now in effect, the CF-4 and CG-4 lubricating oils have been developed for use of a low sulfur fuel for on-road vehicle engines. When an off-road vehicle engine runs on a high-sulfur fuel, it is advisable to employ the CF, CD or CE lubricating oil with a high total base number. If the CF-4 or CG-4 lubricating oil is used with a high-sulfur fuel, change the lubricating oil at shorter intervals.

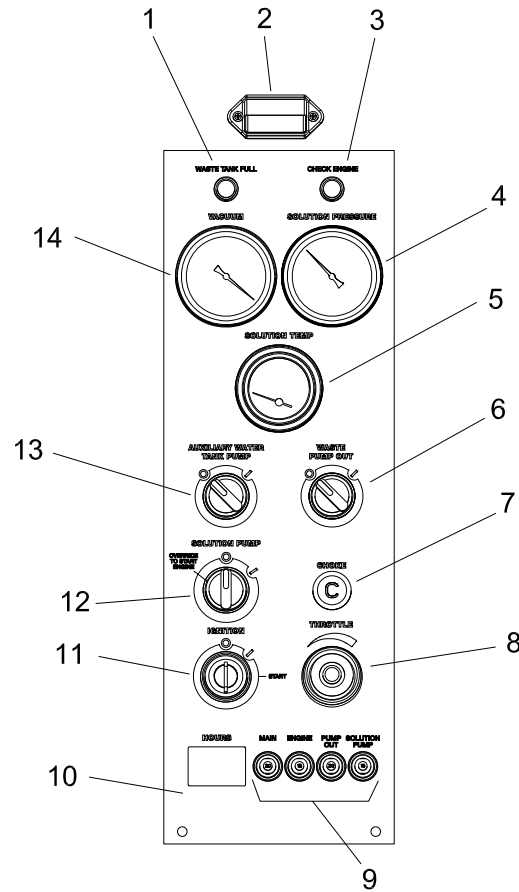
API service classification: above CD grade.

Ambient temperature: below 35°C (95°F).

Lubricating oil recommended when a low-sulfur or high-sulfur fuel is employed.

O: Recommended X: Not recommended

Lubricating Oil Class	Fuel		Remarks
	Low-Sulfur	High-Sulfur	
CF	0	0	TBN \geq 10
CF4	0	X	-
CG4	0	X	-



Components - Upper Control Panel - GAS

1. Waste Tank Full Indicator Light

This indicator light is activated when the waste tank is full. When lit the unit will shutdown protecting the equipment from damage. This also indicates that the waste tank must be emptied before the unit can be brought back in service.

! WARNING:

Never dispose of waste water in storm drains, water ways or on ground areas. Always dispose of waste in accordance with local, state and federal laws.

! AVERTISSEMENT:

NE JAMAIS éliminer les résidus dans les collecteurs d'eaux pluviales, les voies d'eau ou sur une surface au sol. Toujours éliminer les résidus conformément aux lois locales, provinciales et fédérales.

2. Panel Light

This light is useful if the machine is used in a poorly lit area or night use. It is helpful in reading the instruments and gauges.

3. Engine High Temperature / Low Oil Pressure Shutdown Indicator

This light when activated signals an engine over heat or a low oil pressure condition. When this occurs, troubleshooting is required.

4. Solution Pressure Gauge

This gauge registers the amount of pressure in the system.

5. Solution Temperature Gauge

This gauge measures the temperature of the cleaning solution as it exits the machine.

6. Waste Pumpout

This switch actuates the optional waste pumpout.

7. Choke

The choke is for restricting air to the carburetor, this enriches the fuel mixture. The primary purpose is for starting in cold temperatures. When the cable is pulled out air is restricted, when pushed in the engine is in run position.

⚠ CAUTION:

Do not run engine with choke pulled out.

⚠ ATTENTION:

Ne pas faire fonctionner le moteur avec l'étrangleur en position tirée.

8. Throttle

The throttle is used to set the speed of the engine (rpm). The engine speed (rpm) may be increased by releasing the collar lock, pushing in the red button on the end of the handle, and pulling the handle straight out. Engine speed may be changed in smaller increments by rotating the throttle handle clockwise or counter-clockwise. The collar lock can be tightened to prevent the throttle from slipping and changing the engine speed.

9. Circuit Breakers

These serve to protect the circuits from electrical spikes and over loads and protects wires from damage and fire.

10. Hour Meter

The hour meter records the number of hours the unit has run. This serves as a time recorder for servicing the machine.

11. Ignition Switch

The ignition switch controls the power for the machine. To turn the machine on, turn solution pump switch counterclockwise to override and hold. Turn key clockwise until engine starts and release. Wait 5 seconds then release override switch. To stop engine rotate key to OFF position.

12. Solution Pump Switch

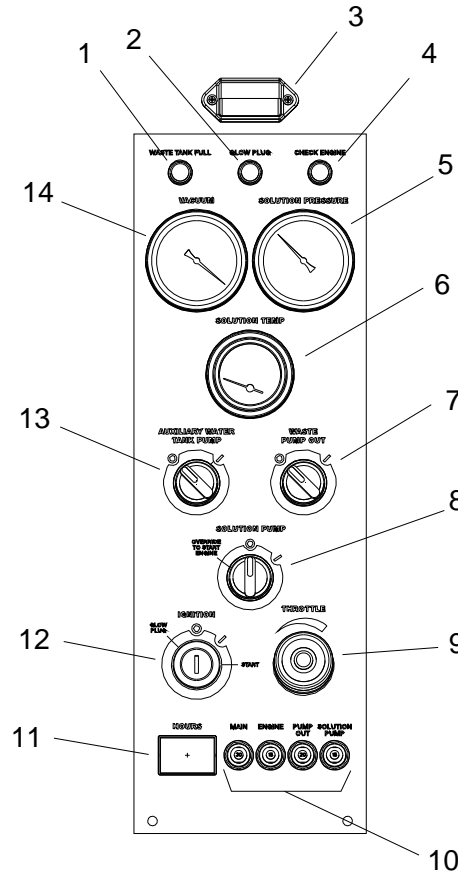
This switch serves to energize the magnetic clutch to turn the solution pump on or off. Turn clockwise for activating the pump and counter clockwise for deactivating the pump.

13. Auxiliary Water Tank Pump Switch

The auxiliary water tank pump switch is used to actuate an optional fresh water demand pump.

14. Vacuum Gauge

This gauge indicates in inches of mercury how much vacuum the system is producing at any given time.



Components - Upper Control Panel - DIESEL

1. Waste Tank Full Indicator Light

This indicator light is activated when the waste tank is full. When lit the unit will shutdown protecting the equipment from damage. This also indicates that the waste tank must be emptied before the unit can be brought back in service.

! WARNING:

Never dispose of waste water in storm drains, water ways or on ground areas. Always dispose of waste in accordance with local, state and federal laws.

! AVERTISSEMENT:

NE JAMAIS éliminer les résidus dans les collecteurs d'eaux pluviales, les voies d'eau ou sur une surface au sol. Toujours éliminer les résidus conformément aux lois locales, provinciales et fédérales.

2. Glow Plug Indicator Light

After turning the ignition switch counterclockwise this indicator lamp illuminates during glow plug warm up. When light goes out, engine is ready for start

3. Panel Light

This light is useful if the machine is used in a poorly lit area or night use. It is helpful in reading the instruments and gauges.

4. Engine High Temperature / Low Oil Pressure Shutdown Indicator

This light when activated signals an engine over heat or a low oil pressure condition. When this occurs, troubleshooting is required.

5. Solution Pressure Gauge

This gauge registers the amount of pressure in the system.

6. Solution Temperature Gauge

This gauge measures the temperature of the cleaning solution as it exits the machine.

7. Waste Pumpout

This switch actuates the optional waste pumpout.

8. Solution Pump Switch

This switch serves to energize the magnetic clutch to turn the solution pump on or off. Turn clockwise for activating the pump and counter clockwise for deactivating the pump.

9. Throttle

The throttle is used to set the speed of the engine (rpm). The engine speed (rpm) may be increased by releasing the collar lock, pushing in the red button on the end of the handle, and pulling the handle straight out. Engine speed may be changed in smaller increments by rotating the throttle handle clockwise or counter-clockwise. The collar lock can be tightened to prevent the throttle from slipping and changing the engine speed.

10. Circuit Breakers

These serve to protect the circuits from electrical spikes and over loads and protects wires from damage and fire.

11. Hour Meter

The hour meter records the number of hours the unit has run. This serves as a time recorder for servicing the machine.

12. Ignition Switch

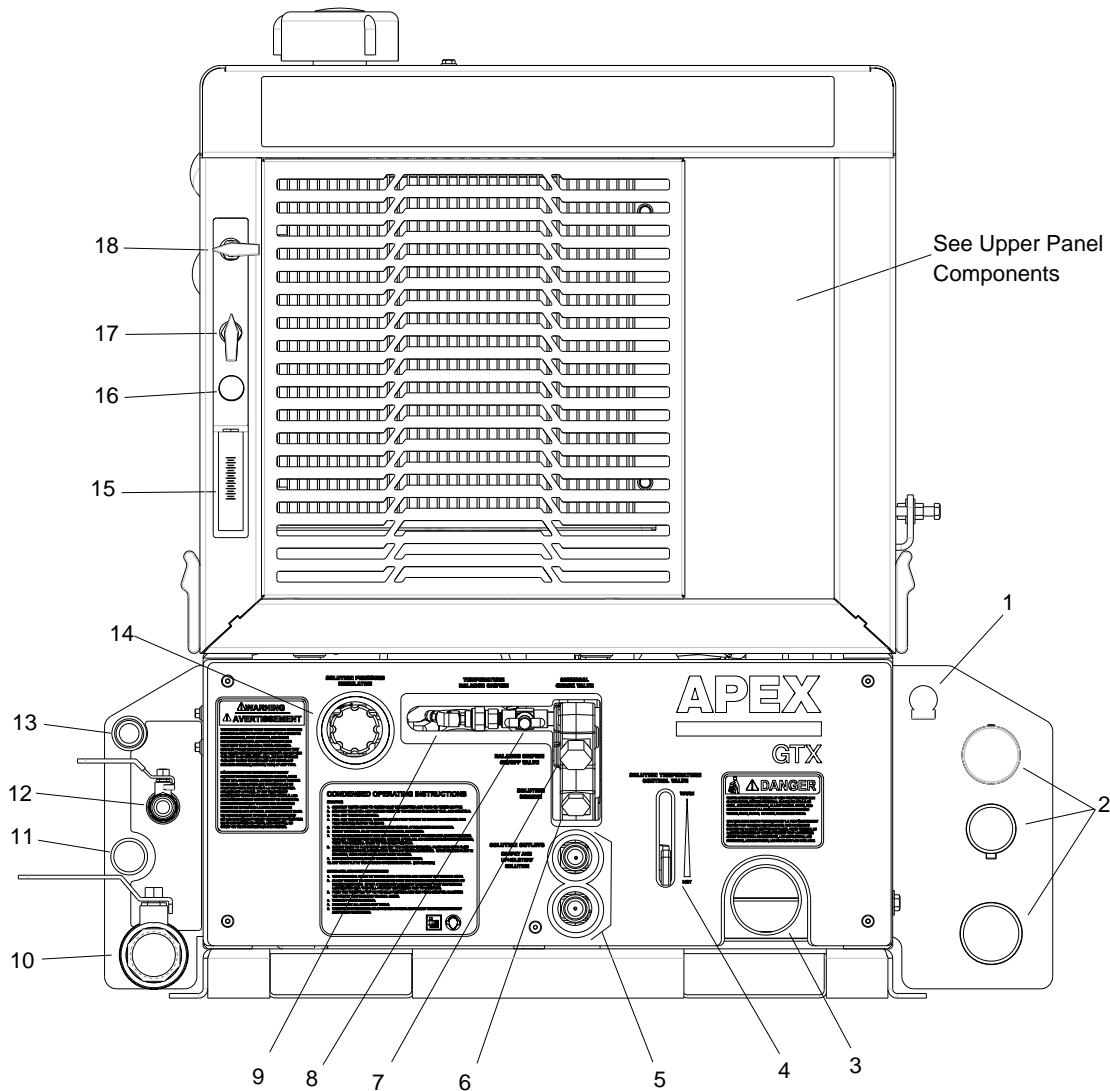
The ignition switch controls the power for the machine. To turn the machine on, rotate the key counterclockwise to energize the glow plugs and hold. This will illuminate the green glow plug lamp. When the glow plug lamp goes out the engine is ready to start. Turn solution pump switch counterclockwise to override and hold. Turn key clockwise until engine starts and release. Wait 5 seconds then release override switch. To stop engine rotate key to OFF position.

13. Auxiliary Water Tank Pump Switch

The auxiliary water tank pump switch is used to actuate an optional fresh water demand pump.

14. Vacuum Gauge

This gauge indicates in inches of mercury how much vacuum the system is producing at any given time.



Components

1. Lubrication Cup

The lubrication cup allows lubricant spray to reach the vacuum blower.

2. Vacuum Inlets

The vacuum inlets serve as connecting points for vacuum hoses.

3. Exhaust

Exhaust fumes contain carbon monoxide which is an odorless and deadly poison that can cause severe injury or fatality. **DO NOT** run this unit in an enclosed area. **DO NOT** operate this unit where the exhaust may enter any building doorway, window, vent, or opening of any type

4. Solution Temperature Control Lever

This lever directs hot engine and blower exhaust gases through or around the heat exchangers.

5. Solution Outlets

The solution outlets are the connecting point for the high pressure solution hoses. These outlets are quick disconnects that allow hoses to be plugged into the unit.

6. Solution Screen

The solution screen is located on the front of the machine. The function of this screen is to trap foreign particles from exiting the machine and plugging the orifices of the cleaning tools. This screen is part of the machine maintenance cleaning.

7. Chemical Check Valve

The chemical check valve allows chemicals to enter the system and travel in a singular direction to the wand. The chemical check valve prevents chemicals from traveling up-stream into the solution system of the unit.

8. Temperature Balance Orifice Shutoff Valve

The temperature balance orifice shutoff valve allows the operator to increase solution temperature during two wand operation. This should only be closed during two wand operation.

9. Temperature Balance Orifice

The temperature balance orifice helps to balance and stabilize the solution temperature within the system.

10. Waste Outlet

This valve allows the waste tank to be emptied. Turning counter-clockwise opens the valve.

11. Waste Pumpout Outlet

This is a hose connection point for the waste pumpout pump, which serves to empty the waste collection tank automatically. A float located inside the tank automatically turns off and on when the waste water level reaches certain points.

12. Warm Water Outlet

The warm water outlet allows the cleaning technician to drain hot water from the water box for mixing chemical.



Water from this valve is hot.



L'eau de cette soupape est chaude.

13. Water Inlet

This quick connect allows the water supply hose to be connected to the unit.

14. Solution Pressure Regulator

The pressure regulator sets the pressure of the solution system. This spring loaded valve can be adjusted up or down. The pressure is increased by turning the valve clockwise, or reduced by turning the valve counter-clockwise. (This valve must be maintained in accordance with this manual's maintenance table.)

15. Flow Meter

The flow meter is a gauge to indicate how much liquid chemical is being introduced in the water system. The quantity can be increased by turning the chemical flow knob counter clockwise.

16. Chemical Metering Valve

The chemical metering valve regulates the amount of chemical that is injected into the system. Clockwise rotation of the knob closes the valve. Counterclockwise rotation opens the valve, allowing more chemical to enter the system.

17. Chemical Prime Control Valve

This valve allows the chemical to circulate through the chemical system with little or no restriction. It also purges out air that may be trapped in the lines and cavities of the chemical pump. By turning the valve clockwise the injection system is enabled.

18. Flow Setup Valve

This valve allows solution to move through the machine and chemical to be injected simulating the cleaning process. This allows the operator to set the chemical flow level without connecting tools to the machine. It is also useful in troubleshooting.

Water Pumping And Heat Transfer System

Cold water enters the console through the water inlet. When the water box is full the valve will automatically shut off.

Water then flows from the water box, through the strainer, into the solution pump. The water is pumped to the pressure regulator manifold, which provides and maintains the desired pressure setting.

The pressure regulator manifold includes a pulse hose which helps reduce pressure spikes from the pump.

A certain amount of water is by-passed from the pressure regulator due to over pumping capacity of the solution pump. Water that is not called for in the cleaning process is channeled through a copper heater core in the front of the heat exchanger box. This bypass water circulates several times through the heater core pre-warming the water.

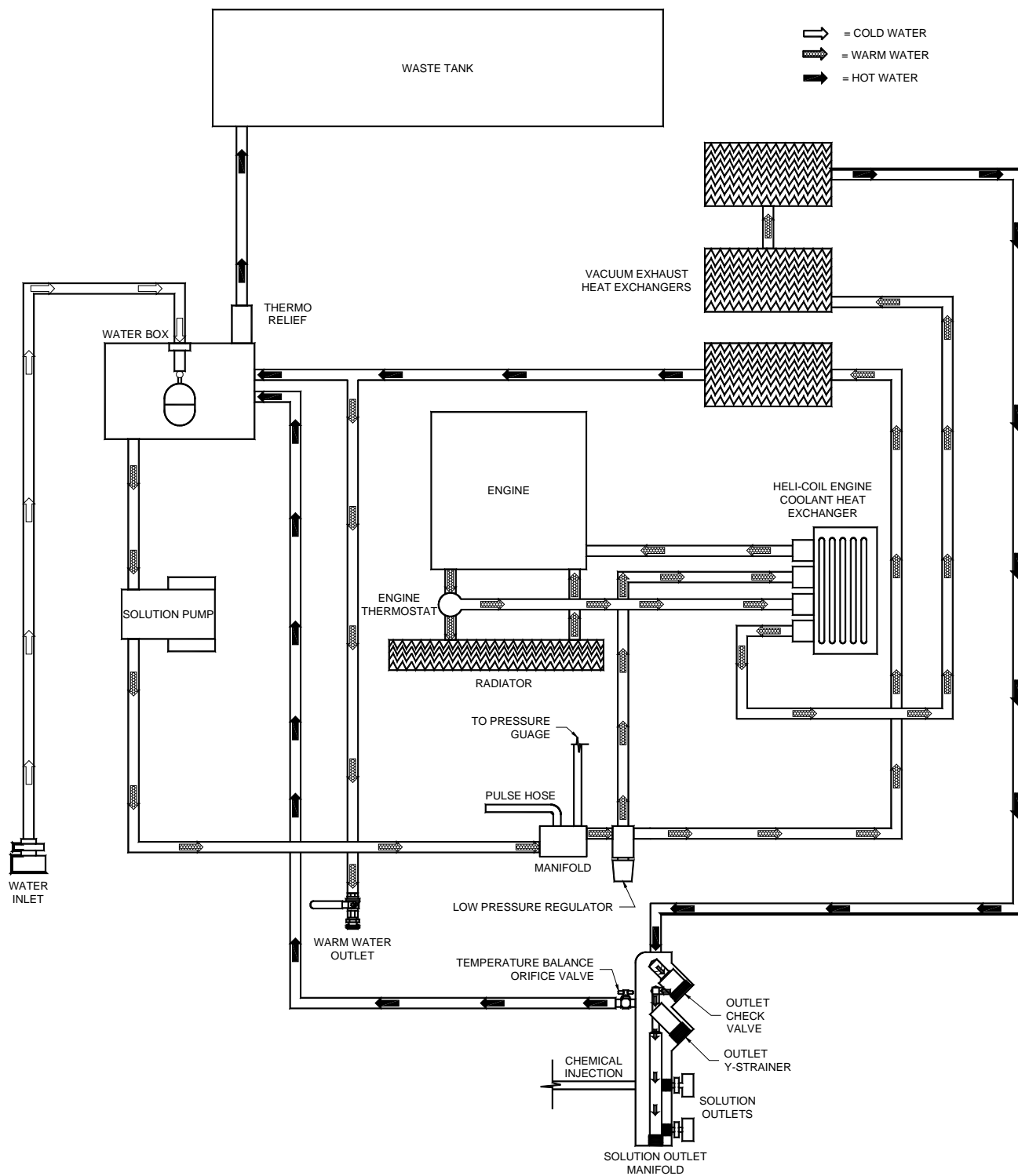
The next stage of heating and water flow is to the helicoil. When water is called for in the cleaning process it flows to the helicoil under pressure. Heat from the engine coolant is exchanged to the cleaning water through a series of spiraled copper tubing. This allows the engine coolant to travel in a counter rotating direction to the cleaning water during the exchange process creating a very efficient transfer of heat out of the engine and into the cleaning water.

The third stage of plumbing and heat exchange takes place in the 2nd and 3rd heater cores located in the heat exchanger box. This is the hottest point of the gases coming from the vac pump and the engine exhaust. These hot gases are forced through the heater cores creating the third stage of heat transfer to the cleaning water.

Finally, the cleaning water passes to the solution outlet manifold where cleaning chemicals are injected from the chemical pulse pump. This manifold serves as a temperature sensing point and a connecting point for the solution hoses. Also a check valve is located in this outlet manifold prohibiting chemicals from backing up into the system.

The cleaning solution then passes through high pressure solution hoses and is distributed by the cleaning tool to a surface that is being cleaned, completing the water pumping and heating cycle of the cleaning unit.

SINGLE SYSTEM WATER FLOW DIAGRAM
LOW PRESSURE



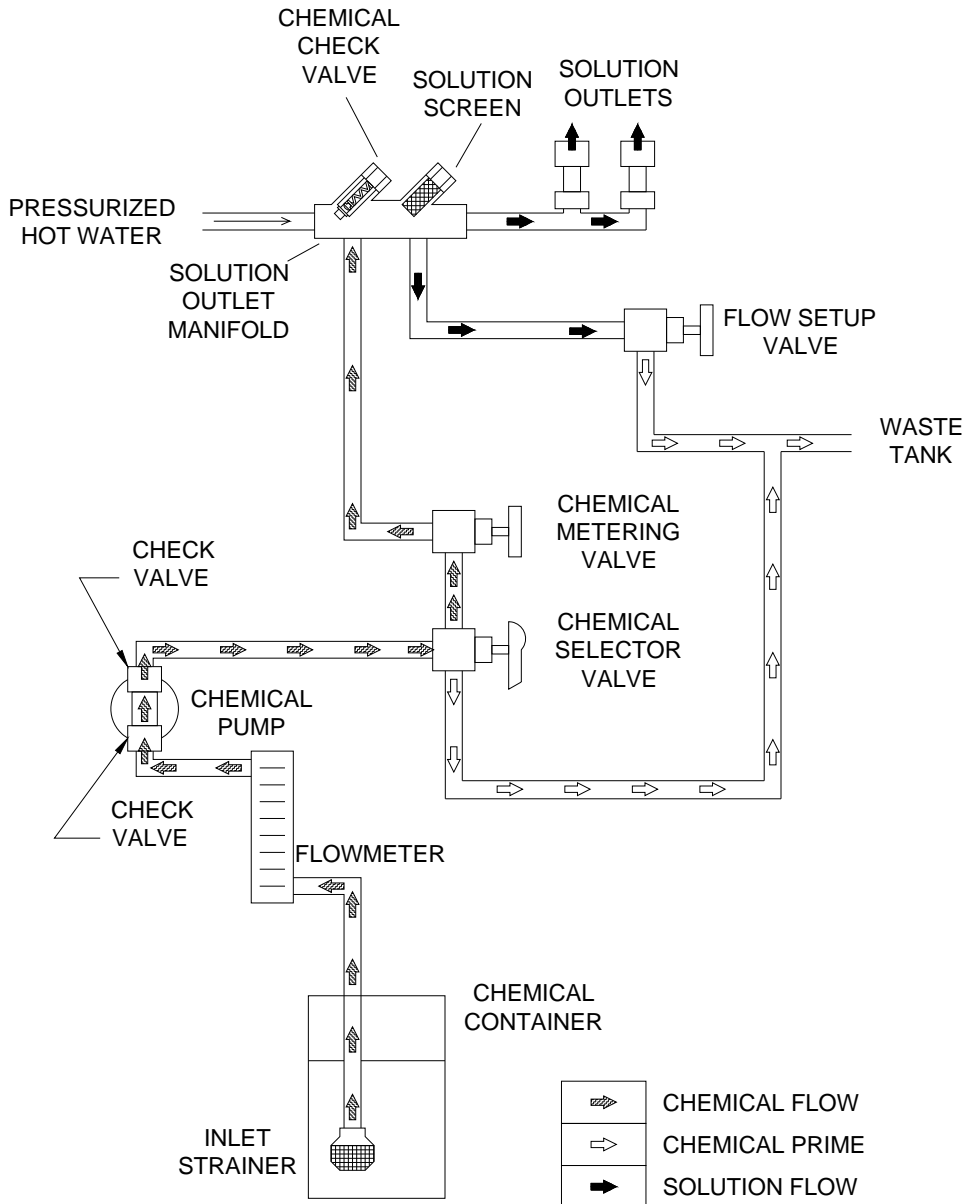
Chemical Injection System

The chemical injection system is unique in that it utilizes the pressure spikes generated by the high-pressure solution pump to move chemical into the main solution stream. The high pressure spikes move the diaphragm in the chemical pulse pump forcing small amounts of liquid chemical to be moved in a single direction of flow with the aid of two check valves.

The chemical is drawn from the container, and through the flow meter, which indicates rate of flow. The chemical then moves to the chemical pulse pump where it is pressurized.

The chemicals flow to the chemical selector valve, which can turn off the chemical flow or when set to "Prime" sends it into the waste tank to purge air from the system, or when "CHEM" the chemical can be directed to the metering valve. The metering valve controls the amount of chemical that enters the solution outlet manifold.

The manifold assembly's check valve will not allow the chemicals to travel upstream into the plumbing system of the unit. The chemicals are mixed there with hot pressurized water that makes a cleaning solution. The flow setup valve is set to "Setup" while adjusting the chemical mix. This causes incorrectly mixed solution to safely drain to the waste tank until the manifold has the correct solution mix. Setting to "CHEM" lets the solution flow to the outlets for cleaning.

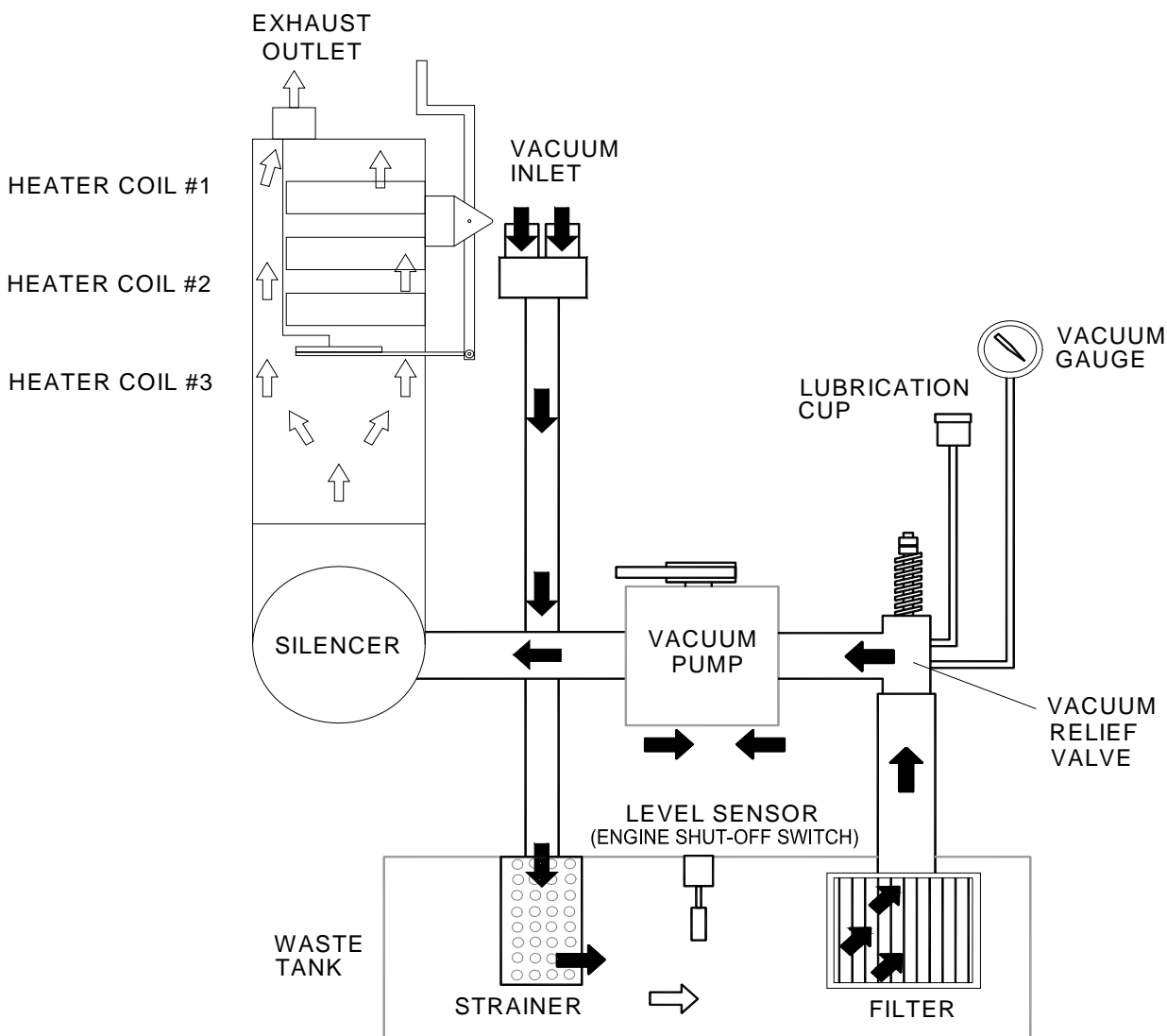


Vacuum System

The engine turning a vacuum pump generates vacuum. The air is channeled in one side of the vacuum pump, compressed and discharged on the opposite side, creating airflow.

The movement of air is used to do the work necessary for the extraction process. A vacuum nozzle applied to the carpet surface removes moisture, dirt and spent chemicals. These elements are conveyed back to a separating tank utilizing hoses and the force of air. Particles of moisture and dirt are separated in the vacuum tank using a series of changes in direction and velocity. The air is then filtered and rushes into the vacuum pump.

The vacuum pump compresses and heats the incoming air. The hot discharged air is forced down stream into a silencer for noise abatement. After exiting the silencer, this hot air is mixed with hot air exhaust gases from the engine. This mixture of hot air and gases are then forced through 3 radiators serving as heat collectors. Heat from the engine and vacuum pump is then transferred into the plumbing system raising the water temperature for better cleaning.



Pre-Run Inspection / Setup

NOTE: Operation of this unit is simple. However, only trained personnel should proceed.

! WARNING:

Operate this unit and equipment only in a well-ventilated area. Exhaust fumes contain carbon monoxide which is an odorless and deadly poison that can cause severe injury or fatality. DO NOT operate this unit where the exhaust may enter any building doorway, window, vent, or opening of any type.

! AVERTISSEMENT:

Utiliser cet appareil et l'équipement uniquement dans un endroit bien ventilé. Les gaz d'échappement contiennent du monoxyde de carbone qui est un gaz inodore et mortel pouvant causer des blessures graves ou entraîner la mort. NE PAS utiliser cet appareil dans un endroit où les gaz d'échappement risquent de pénétrer dans une entrée de porte, une fenêtre, un évent ou toute ouverture d'un édifice.

Check for Adequate Fuel

Check the fuel tank to be certain there is adequate fuel to complete the job. This unit uses approximately 0.95 to 1.18 gallons of fuel per hour, depending on the speed setting.

Remove Tools from Vehicle

Remove any tools or hoses from the van which you will require.

Water Supply Connection

NOTE: Before connecting your water hose to the supply faucet, flush out the faucet until the water is free of any debris. Flush out any debris which may be in your water inlet hose.

1. Connect the water supply hose to the water inlet quick-connect at the left front of the console. Connect the hose to the water supply faucet.

NOTE: Never use your waste pump outlet hose as a water inlet hose. Use only clean hoses for water inlet.

2. Turn the water supply faucet on. The water will fill the water box.

! CAUTION:

Don't run the solution pump dry, damage may occur and void the warranty.

In the event the pump is run dry, allow the pump to cool down to ambient temperature before reintroducing water. Otherwise major damage may occur and void the warranty.

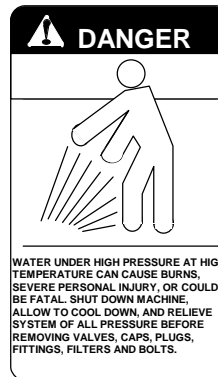
! ATTENTION:

Ne pas laisser la pompe à solution fonctionner à sec, cela risquerait d'entraîner des dommages et d'annuler la garantie.

Si la pompe venait qu'à fonctionner à sec, laisser refroidir la pompe à température ambiante avant de réintroduire de l'eau. Sinon, cela risquerait d'entraîner des dommages et d'annuler la garantie.

High Pressure Solution Hose

Before starting the unit, connect the high pressure solution hose to the outlet connection at the front of the unit. Connect the cleaning tool to the pressure hose.



ROTATING MACHINERY. WATER UNDER PRESSURE AT HIGH TEMPERATURE. IMPROPER MODIFICATION OF EQUIPMENT CAN CAUSE SEVERE PERSONAL INJURY OR COULD BE FATAL.

! DANGER

DO NOT MODIFY UNIT WITHOUT WRITTEN PERMISSION FROM MANUFACTURER

Vacuum Hose

Connect the vacuum hose to the vacuum inlet connection at the front of the unit. Connect the other end of the vacuum hose to the cleaning tool.

Filters

Ensure all filters on machine and in waste tank are free of debris.

Priming the Chemical Pump

1. Fill chemical container and inspect chemical strainer.
2. Insert chemical inlet tubing into chemical container.
3. To start engine:

GAS MODELS - Pull out engine choke, turn solution pump switch to override, and turn ignition key to start. Push in engine choke after engine has started.

DIESEL MODELS - Turn Ignition switch counter-clockwise until glow plug light goes off. Turn solution pump switch to override, and turn ignition key clockwise to start.

4. Set throttle to idle position.
5. Turn on the solution pump.
6. Turn chemical valve to prime and allow chemical to circulate. After all air bubbles have been removed from chemical tubing, turn the valve to Chem position.
7. Turn chemical flow setup valve to setup position. Use the chemical metering valve to set the chemical flow to the desired flow rate while observing the flow meter indicator. Turn the chemical flow setup valve to Chem position.
8. Set throttle to maximum position for quick unit heat up.

Once you have completed priming the chemical pump, proceed with the cleaning operation. Your unit should be in the correct throttle position for your cleaning operation or extracting.

WARNING:

NEVER dispose of waste in storm drains, waterways, or on ground areas. Always dispose of waste in accordance with Local, State, and Federal laws.

AVERTISSEMENT:

NE JAMAIS éliminer les résidus dans les collecteurs d'eaux pluviales, les voies d'eau ou sur une surface au sol. Toujours éliminer les résidus conformément aux lois locales, provinciales et fédérales.

Waste Pumpout (Optional)

1. If your unit is equipped with an automatic waste pump, connect one end of a garden hose to the pump-out connection and the other end to an appropriate waste disposal.
2. Turn the pump-out switch on the control panel to the ON position. The waste pump will operate automatically throughout the cleaning operation.

We recommend that you use a 3/4" I.D. water hose as a waste pump outlet hose. DO NOT use a hose smaller than 5/8" I.D.

NEVER use your automatic waste pump outlet hose as a water inlet hose.

Cleaning

Observe the following guidelines, while cleaning:

1. Before proceeding make sure the spray tips are functioning properly.
 - a. To check, hold the wand about one foot above the surface to be cleaned and open the wand valve. A full spray should be observed from all of the cleaning spray tips.
 - b. If the spray tips are not showing a full spray pattern, adjust for proper pattern, clean, or replace spray tips, if required.
2. Normally chemical is applied on the push stroke of the wand, and cleaning and vacuuming is done on the pull stroke. For heavily soiled carpets the wand may be used in a scrubbing manner, applying chemical in both push and pull strokes. Always finish up an area with a vacuum stroke.
3. When cleaning, keep the working opening (mouth) flat on the surface being cleaned. Keep the wand moving when the valve is open.
4. The unit will automatically shut-down when the waste tank is full. This will prevent water being drawn into the vacuum pump. If shut-down occurs, empty the waste tank before proceeding. If shutdown occurs due to foam created by chemicals used, add Prochem defoamer.

Upholstery Cleaning

Upholstery tool, (See Options section)

1. To protect fabrics, reduce solution temperature as needed by opening the solution temperature control valve on the lower front panel. Engine speed may also be reduced slightly to reduce heat and vacuum.

Shutdown And Daily Maintenance

1. Close chemical metering valve.
2. Allow the unit to run for 2 minutes with the vacuum hose disconnected to remove moisture. Spray water displacing lubricant into the vacuum lubrication cup and cover the vacuum inlet to draw the water displacing lubricant into the blower. This will prevent corrosion due to moisture.
3. Set engine throttle at idle position and allow the water temperature to cool down, utilizing the temperature control valve in the open position to bleed off residual hot water left in the system.
4. Close temperature control valve and turn off ignition switch.
5. Disconnect all hoses and tools.
6. Drain waste tank and rinse with clean water.

De-Flooding Operations

De-flooding operations involve removal of water from carpet and flooring. This differs from normal cleaning operations in that no water or solution is required. An automatic waste pump-out is highly recommended for all de-flooding operations due to the large amount of water removal often required.

1. Move the solution temperature control lever from the "hot" position to the "warm" position.
2. Ensure that the solution pump switch is in the OFF position.
3. Operate with all side and rear cargo doors open.

Freezing Protection

CAUTION:

If the unit is exposed to freezing weather the water in the unit may freeze, causing **SERIOUS DAMAGE** to the unit. To avoid this, the following is recommended during the cold weather season.

ATTENTION:

Si l'appareil est exposé au gel, l'eau dans l'appareil risque de geler, causant ainsi des **DOMMAGES MAJEURS** à l'appareil. Pour éviter une telle situation, il est recommandé de faire ce qui suit durant la saison froide.

When the unit is not in use, always park it in a heated building.

While in operation, avoid long shutdowns as the unit provides heat while running. Shut it down just prior to leaving for the next job.

If a heated building is not available, we recommend that you winterize the unit with anti-freeze. At present, it is only possible to winterize units, which do not have an auxiliary water tank. Units with auxiliary water tanks must be stored in a heated building when not in use.

Winterizing Your Unit

1. Shut off the water supply. Disconnect the water inlet hose from the front of your console.
2. Start the unit and turn solution pump on. Open the tool valve until water pressure drops.
3. Turn off the solution pump. Fill the water box with approximately two gallons of 100% glycol base anti-freeze.
4. Turn the solution pump ON.
5. Connect all solution pressure hoses and tools that may have water in them.
6. Open the tool valve until anti-freeze begins to come out of the tool. Recover ALL anti-freeze that comes out of the tools into an approved container. We strongly recommend that you re-cycle and re-use the anti-freeze.

Repeat this procedure with all the remaining tools. After all tools and pressure hoses have been filled with anti-freeze, disconnect and store them.

7. Turn the solution pump switch OFF. Attach the winterizing loop hose with attachment, Part #86260700, to the solution outlet connection and the water inlet connection. Turn the solution pump switch ON.

Allow the unit to run for approximately 3 minutes with the winterizing loop hose attached.

8. Prime the chemical system with 50/50 anti-freeze/water mix. Insert the chemical inlet and prime discharge tubes into the anti-freeze container. Turn the chemical valve to PRIME until anti-freeze begins to flow out of the prime hose.
9. Turn the chemical valve and flow simulator valves to the open position. Make certain that the flow meter indicates flow and that all anti-freeze drains out of the chemical hose into an approved container. After 30 seconds, turn off both valves.
10. After completing these procedures, shut the unit down. The unit is now winterized.

Removing Anti-Freeze From the Unit

1. Connect the water inlet hose to the water inlet connection on the console. Turn the water supply on.
2. Start unit turn on pump.
3. Connect all solution hoses and any tools which require purging of anti-freeze to the solution outlet connection(s).
4. Open the tool valves and drain the anti-freeze into an approved container until the flow is clear and all anti-freeze is purged from the tools and hoses.

5. Place the chemical prime hose into the approved container. Submerge the chemical inlet hose in water. Turn the chemical valve to the PRIME position until clear water comes through the prime hose, and then remove the prime hose from the container.
6. Turn the chemical valve to the ON (CHEMICAL) position. This will allow water to flow into the other side of the system.

Once all of the anti-freeze is removed, the unit is ready to use.

Eventually, the anti-freeze in your storage container will become diluted with water. If the anti-freeze level drops below 50% of the total, dispose of it and start with fresh 100% anti-freeze.

WARNING:

When disposing of used anti-freeze, observe local laws and regulations. Do not drain onto the ground or into storm drainage systems.

AVERTISSEMENT:

Lors de l'élimination de l'antigel usé, respecter toutes les lois et tous les règlements locaux. Ne pas vider sur le sol ou dans des réseaux de collecte des eaux pluviales.

Service Schedule

Engine	Daily	Check engine oil level. *** Fill to proper level
Engine	Daily	Check coolant level in overflow bottle
Vacuum Pump	Daily	Spray water displacing lubricant in lubrication cup at front of console for 5 sec.
Solution Pump	Daily	Check oil level.** Fill to proper level
Chemical Inlet Tube Strainer	Daily	Check strainer for blockage, remove any debris
Vacuum Inlet Filter (In Waste Tank)	Daily	Clean filter, inspect, replace if damaged
Vacuum Hoses	Daily	Wash out with clean water
Automatic Waste Pump	Daily	Inspect and remove any debris or sediment
Vacuum Pump	Weekly	Check oil level. Fill to proper level
Water Box Float Valve	Weekly	Check for proper seating and shut-off
Solution Pump Inlet Strainer	Weekly*	Check for debris and clean
Battery	Weekly*	Check for proper fluid level. Fill with distilled water only
Solution Outlet Screen	Weekly*	Inspect and remove any debris or blockage
Temperature Balance Orifice	Weekly	Remove, check, and clean
High Pressure Hoses	100 hrs	Inspect for damage or impending damage
Pressure Regulator	100 hrs	Lubricate o-rings
Engine	100 hrs	Change engine oil***
Engine	100 hrs	Change oil filter***
Engine	100 hrs	Check fan belt tightness
Vacuum Exhaust Heat Exchanger	100 hrs	Inspect cores and remove debris. (DIESEL MODELS ONLY)
Battery	100 hrs*	Clean battery terminals
Float Valve Seal	200 hrs.	Replace seal
Engine	200 hrs	Service air cleaner elements*
Engine	200 hrs	Check radiator hoses and clamp tightness
Fuel Pump	200 hrs	Check hose connections
Gas Engine	200 hrs	Check spark plugs for carbon deposits and proper gap
Chemical Valves	200 hrs	Inspect and/or adjust packing nuts

* Or as often as required

** Change solution pump crankcase oil after the first 50 hours

***Change engine crankcase oil and filter after the first 25 hours

Service Schedule

Vacuum Exhaust Heat Exchanger	500 hrs	Inspect cores and remove debris. (GAS MODELS ONLY)
Solution Pump	500 hrs	Change oil**
Pulley Set Screws, Hub Cap Screws, & Solution Pump Clutch Shaft Bolts	500 hrs	Check for proper torque values. Re-torque, if required****
Drive Pulley	500 hrs	Inspect, clean and check for pulley groove wear****
Drive Pulley	500 hrs	Check pulley alignment****
Drive Belts	500 hrs	Inspect and clean****
Drive Belts	500 hrs	Check belt tension****
Chemical Pump & Check Valves	500 hrs	Replace diaphragm, plastic disk and check valves.
Engine	1000 hrs	Replace spark plugs. (GAS MODELS ONLY)
Check Valve (Solution Outlet)	1000 hrs	Inspect, clean, and repair, if needed.
Vacuum Pump	1000 hrs	Drain, flush, and replace oil*****
Engine	Yearly	Flush radiator and change engine coolant.
Engine	Yearly*	Replace air cleaner element.
Waste Tank Filters/Strainers	Yearly	Check for damage and blockage. Replace if needed.
Engine	2 years	Replace radiator hoses and hose clamps.
Battery	2 years	Replace.
Engine	3 years	Replace ignition wires. (GAS MODELS ONLY)

* Or as often as required

** Change solution pump crankcase oil after the first 50 hours

****Perform drive belt, pulley and hub maintenance after the first 25 hours of operation, and then again at 100 hours

*****Using AEON PD-XD synthetic lubricant, 1000 hours or once per year, whichever comes first.

All Machines

Key Checkpoints

Note: Initiation of a planned preventative maintenance program will assure that your unit has optimum performance, a long operating life, and a minimal amount of "down" time.

Engine Coolant System (Radiator) Maintenance

Your engine radiator coolant system is an important part of the power plant operation. In addition, the heat exchange system which is used to provide heat for cleaning operations, is also highly dependent on the engine coolant system. Follow the recommended coolant system maintenance in the Maintenance Schedule in this manual and your engine owner's manual. Refer any additional questions to your dealer.

External Fuel Pump Maintenance

The power plant for the unit receives fuel from the main fuel tank of your van/truck. An external fuel pump that provides this fuel is located on the underside of the van/truck. Loose fittings and hose connections will cause your unit to perform poorly. Follow the recommended fuel pump maintenance in the Maintenance Schedule in this manual. Refer any additional questions to your dealer.

Chemical Supply System Maintenance

The chemical supply system pulls chemicals from your chemical bottle utilizing a pump that works off the water pump pulsing. Any clogged filters or loose connections will result in a chemical supply system malfunction or a malfunction at the cleaning tool. Maintenance of the solution outlet check valve and screen are vital to effective cleaning operation and minimal unit downtime. Additionally, the hoses related to supplying water and chemical to the outlet manifold are under high pressures and experience thermal expansion and contraction. Periodic inspections of these hoses for tears, cracks, and failing connectors are necessary to avoid unwanted leaks. To keep your chemical system functioning properly, follow the chemical pump and solution outlet maintenance in the Maintenance Schedule in this manual. Refer any additional questions to your dealer.

Heat Exchanger System Maintenance

The heat exchange system in your unit transfers energy between the unwanted heat of the power plant and blower discharge air, to the solution supply system. The heat transfer of this system is highly dependent on the surface area contact in the heat exchanger cores located in the heat exchanger box. This surface area amount is adversely minimized when the supplied water is not softened to recommended levels. Hard water will result in scaling on the inside walls of the heat exchanger tubes. It is recommended that you use a dealer approved water softener to avoid premature heat exchanger core failure. Contact your dealer for advice on the water hardness levels in your area.

Additionally, the heat exchanger tubes are very sensitive to freezing conditions. As the water freezes during cold conditions, it expands in the heat exchanger tubes and causes damage. Often the tubes are cracked and require the replacement of the heat exchanger core. Refer to the Freeze Protection instructions section in this manual. Refer any additional questions to your dealer.

Vacuum Pump Maintenance

(Refer to manufacturer's manual (P/N 86269820) for specific maintenance instructions)

The total function of the unit is based around the performance of the vacuum pump. Heat transfer used to raise the temperature of the solution is gained from the air drawn by the vacuum pump and solution is removed from the carpet with the vacuum suction of the vacuum pump. General maintenance actions for the vacuum pump as listed in this manual are vital to prolonged vacuum pump operations. Daily lubrication of the pump is required to avoid seizure of the system. Also, waste tank filters and strainers must be maintained to prevent unwanted debris from entering the vacuum pump.

Engine - Gas

WARNING:

DO NOT service this unit while it is running. The high-speed mechanical parts as well as high temperature components may result in severe injury, severed limbs, or fatality.

AVERTISSEMENT:

NE PAS effectuer l'entretien de cet appareil pendant qu'il est en marche. Les pièces mécaniques à haute vitesse de même que les composants à haute température pourraient causer des blessures graves, des amputations ou la mort.

NOTE: Use the hour meter as a guide for coordinating the maintenance schedule.

(Refer to engine manufacturer's manual for specific maintenance instructions)

1. Check the engine oil level daily. Make certain that proper oil level is maintained. **NEVER** overfill.
2. Change the break-in oil and filter after the first 25 hours of operation. Thereafter, change oil and filter every 100 hours of operation. **USE ONLY ENGINE MANUFACTURER'S BRAND OIL FILTERS. USING ANY OTHER TYPE OIL FILTER WILL VOID YOUR ENGINE WARRANTY.**

Oil Recommendation. Use high-quality detergent oil of at least API (American Petroleum Institute) service class SF or SG. The recommended SAE viscosity grade for summer is 10W-30, and 10W-30 winter.

Oil Recommendation. See "ENGINE OIL REQUIREMENTS" in Operations section.

NOTE: Using less than service class SF or SG oil or extending oil change intervals longer than recommended can cause engine damage.

Engine oil capacity is approximately .74 gallons (2.8Liters)

3. Re-torque the manifold and exhaust tube nuts, cylinder head bolts, and carburetor attaching nuts after the **first 200 hours** of use.
4. Check the spark plugs every **200 hours**. Clean if necessary. Replace the spark plugs every **1000 hours**.

NOTE: Never sandblast spark plugs. Spark plugs should be cleaned by scraping or wire brushing.

5. Clean the air cleaner element every **200 hours**. Replace the element annually.
6. Check the engine idle RPM every **200 hours** and adjust, if necessary. **NEVER** adjust engine RPM without a tachometer. Refer to Kubota Engine Operation and Service Manual.
7. Check the coolant level in the radiator overflow container **daily**. If no coolant is seen, remove the cap and add coolant. Change the coolant with a 50/50 coolant to water ratio yearly.

NOTE: For additional engine service information, obtain an engine manufacturer's repair manual from any authorized Service Center. If service or repair is required, contact an authorized Service Center. You will need to provide the serial number of the engine.

Engine - Diesel

WARNING:

DO NOT service this unit while it is running. The high-speed mechanical parts as well as high temperature components may result in severe injury, severed limbs, or fatality.

AVERTISSEMENT:

NE PAS effectuer l'entretien de cet appareil pendant qu'il est en marche. Les pièces mécaniques à haute vitesse de même que les composants à haute température pourraient causer des blessures graves, des amputations ou la mort.

NOTE: Use the hour meter as a guide for coordinating the maintenance schedule.

(Refer to engine manufacturer's manual for specific maintenance instructions)

1. Check the engine oil level daily. Make certain that proper oil level is maintained. NEVER overfill.
2. Change the break-in oil and filter after the first 25 hours of operation. Thereafter, change oil and filter every 100 hours of operation. USE ONLY ENGINE MANUFACTURER'S BRAND OIL FILTERS. USING ANY OTHER TYPE OIL FILTER WILL VOID YOUR ENGINE WARRANTY.

Oil Recommendation. Use high-quality 15-40 detergent oil of at least API (American Petroleum Institute) service class CD or higher.

Engine oil capacity is approximately .98 gallons (3.7 Liters).

Lubricating Oil

With the emission control now in effect, the CR-4 and CG-4 lubricating oils have been developed for the use of a low-sulfur fuel. **If the CF-4 or CG-4 lubricating oil is used with a high-sulfur fuel, change the lubricating oil at shorter intervals.**

API service classification: above CD grade.

Ambient temperature: below 35°C (95°F).

3. Re-torque the manifold and exhaust tube nuts, cylinder head bolts after the first 200 hours of use.
4. Clean the air cleaner element every 200 hours. Replace the element yearly.
5. Check the engine idle RPM every 200 hours and adjust, if necessary. NEVER adjust engine RPM without a tachometer. Refer to Kubota Engine Operation and Service Manual.
6. Check the coolant level in the radiator overflow container daily. If no coolant is seen, remove the cap and add coolant. Change the coolant with a 50/50 coolant to water ratio **yearly**.
7. Replace the in-line fuel filter yearly.

NOTE: For additional engine service information, obtain an engine manufacturer's manual from any authorized Service Center. If service or repair is required, contact an authorized service center. You will need to provide the serial number of the engine.

All Machines

Vacuum Pump

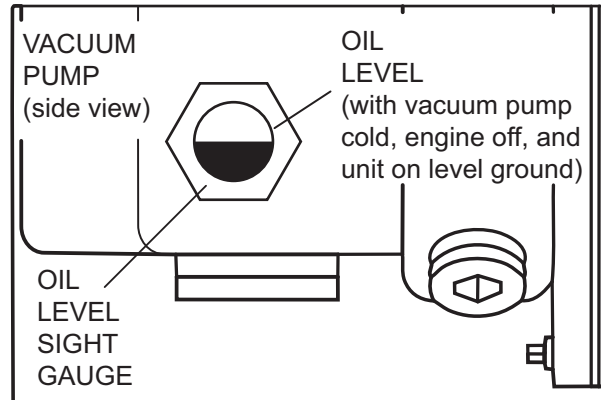
Refer to the Vacuum Pump Operation and Service Manual for specific instructions.

Lubrication: We recommend that you use AEON PD-XD synthetic blower lubricant in the vacuum pump for all operating temperatures. AEON PD-XD synthetic blower lubricant is formulated especially for positive displacement blower service to provide maximum blower protection at any temperature.

NOTE: AEON PD-XD synthetic blower lubricant is the oil which PROCHEM puts in the vacuum pump at the factory. Topping off or adding petroleum oil to synthetic oil is NOT recommended.

1. Check the oil level daily to assure the proper level. PROPER LEVEL cannot be overemphasized. Too little oil will ruin bearings and gears. Too much oil will cause overheating. Use the illustration as a guide when adding oil.
2. To prevent rust from building up inside the vacuum pump (if moisture exists) we have provided a lubrication cup on the front of the unit.

First run the unit at least 1 minute to remove any moisture from the vacuum pump. Next, fill the lubrication cup with water displacing lubricant, for 5 seconds while the unit is running and the vacuum inlets are sealed. Do this at the end of each working day.



3. Drain, flush and replace oil after first 100 hours. For ongoing maintenance, replace oil every 1000 hours or once a year, whichever comes first.
4. Vacuum pump lubrication is vital to performance of the pump. Failure to follow the maintenance schedule can lead to permanent damage to your blower.

Vacuum Inlet Filter (In Waste Tank)

The vacuum filter in the waste tank should be removed and cleaned daily. If this is done, the filter will last for a long period of time.

Vacuum Relief Valve

While the unit is running at full RPM, block the air flow at the vacuum inlet connection and read the vacuum gauge. If adjustment is required, shut the unit down and adjust the vacuum relief valve locking nut tension. Start your unit and read the vacuum gauge. Repeat this process until the relief valve opens at 13" Hg.

Vacuum Pump Drive Belts

To tighten the vacuum pump belts:

1. Loosen the four screws which secure the vacuum pump to the mounting bracket.
2. Turn the adjusting bolts until the proper belt tension is achieved (1/2" total deflection in the center of the belt, halfway between the pulleys).

NOTE: When adjusting belt tension, make certain that the engine shaft and vacuum pump shaft remain parallel, and the belt tension is equal throughout the belt width.

3. After adjusting, re-tighten the four screws which secure the vacuum pump to the mounting bracket. Check belt alignment with straight-edge.
4. Check for pulley groove wear, clean belts and pulley grooves, check for worn belts, proper belt tension, and pulley alignment after the first 25 hours and then again at 100 hours.
5. Check for belt ride in the groove.

Use only exact replacement for system drive belts. Use only exact manufacturer and models for replacements

⚠ CAUTION:

Make certain that when you re-torque these screws, that you use a clockwise pattern and continue until proper torque is achieved.

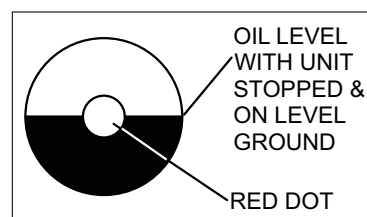
⚠ ATTENTION:

S'assurer, au moment de resserrer ces vis, d'utiliser un mouvement de rotation dans le sens des aiguilles d'une montre et de continuer jusqu'à ce que le couple souhaité soit atteint.

Torque Value		
Component	Inch/lbs	Foot/lbs
Engine Rear Pulley	360	30
Vacuum Pump Hub	300	25

Solution Pump

1. Check the crankcase oil level daily to assure the proper level. Use the illustration as a guide when checking the oil level. If the level has dropped, check for the source of leakage and repair.
2. Use the provided dipstick. Remove black cap with attached dipstick. Oil level should be between marks on the dipstick. Or use the sight glass located on the non-shaft side of the pump.



3. Change the crankcase oil with General Pump (GP) - Interpump oil, (Part # 86189110) after the **first 50 hours** of operation. Drain and refill the crankcase oil **every 500** hours thereafter.

Solution pump oil capacity is approximately 40.6 oz.

4. Other SAE approved 15W-40 oil equivalents are: Mobil and Shell Super, Castrol CWX, and Helix Super.

Solution Pump Drive Belt

To tighten the solution pump belt:

1. Loosen the nuts which hold the solution pump mount to base.
2. Adjust the position of the belt tension adjusting bolt until the proper belt tension is achieved. (1/2" deflection in the center of the belt, halfway between the pulleys).
3. While checking the alignment, tighten the nuts which hold the solution pump mount to base.

Float Valve (Water Box)

1. Check the float valve weekly for proper operation. If overfilling is a problem, check the plunger for a proper seal. Replace tip on plunger P/N 86192380 if needed.

NOTE: If the float ball has any water inside it must be replaced.

When replacing float ball, DO NOT over-tighten, as the rod can puncture the ball. Make sure to tighten the nuts on the rod.

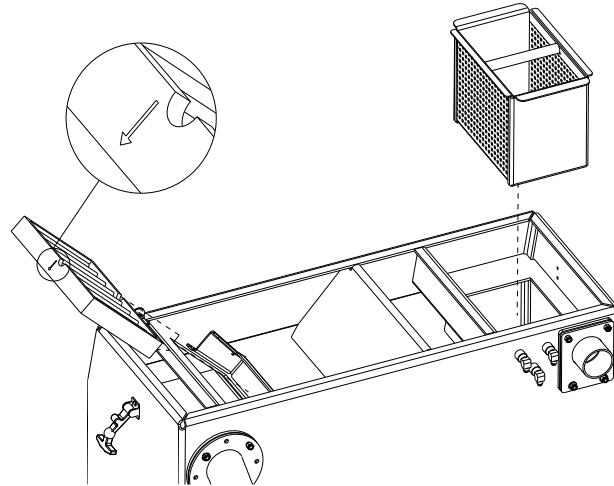
2. Disassemble the valve and check the piston and seat for damage, replace if needed. See the "Illustrated Parts Listing" for a parts break-down.

Waste Tank Float Valve

The float valve in the waste tank shuts the unit down once the waste tank becomes full. Debris can collect around the hinge of the float valve. Check the float valve for debris at least once a month.

Waste Tank Strainer Basket

The strainer basket located inside the waste tank should be removed and cleaned whenever it is full of debris. This should be done on at the end of each job.



Waste Tank Vacuum Inlet Filter

The Vacuum Inlet Filter located inside the waste tank should be removed, cleaned and inspected at the beginning of each day. When replacing in tank ensure that flow indicating arrow is pointing down.

Solution Screen (Outlet)

Inspect the solution screen after the first week of running the unit by unscrewing the screen and remove any accumulated debris. Inspect the screen again at 2 and 4 weeks.

The solution screen should then be inspected every month. However, if the screen has a frequent build-up of debris it should be inspected and cleaned more often.

Check Valve (Outlet)

Inspect the check valve when rebuilding the chemical pump or as needed. Remove and disassemble the check valve. Check the Teflon seat for debris or abnormal wear. Clean or replace seat if needed.

NOTE: Improper seating of the check valve poppet, damaged spring, or o-rings will cause poor operation of the chemical system.

For the procedure, see the "General Service Adjustments" section in this manual for details.

Chemical Pump

Rebuild the chemical pump every 500 hours. This involves changing the diaphragm, plastic disk, and check valves.

For the procedure, see the "General Service Adjustments" section in this manual for details.

NOTE: Inspect chemical inlet tube strainer daily.

Chemical Metering Valve

Examine the packing nut on the chemical metering valve every 200 hours. Keeping the valve packing properly adjusted will eliminate possible leakage from the valve stem and add to overall valve life.

For the procedure, see the "General Service Adjustments" section in this manual for details.

Pressure Regulator

Lubricate the o-rings every 50 hours. Use o-ring lubricant Part #86265430.

For the procedure, see the "General Service Adjustments" section in this manual for details.

Vacuum Hoses

To assure maximum hose life, we recommend that the hoses be washed out with clean water at the end of each working day.

High Pressure Solution Hoses

Inspect your high pressure solution hoses for wear after the first 100 hours of use. Inspect every 25 hours thereafter. If hoses show any signs of damage or impending rupture, replace the hose.

! WARNING:

DO NOT attempt to repair high pressure solution hoses! Repairing high pressure solution hoses may result in severe burns and serious injury!

! AVERTISSEMENT:

NE PAS tenter de réparer les flexibles à solution à haute pression! Tenter de réparer des flexibles à solution à haute pression pourrait causer des brûlures et des blessures graves!

All high pressure solution hoses must be rated for 3000 PSI at 250°F. Thermoplastic hoses do not meet these specifications and should not be used. Severe burns and injury may result if the hoses do not meet these requirements.

Optional Waste Pump-Out

At the end of each work day, make certain that you remove any debris or sediment which may be inside the waste pump by pumping fresh water through the pump.

Temperature Balance Orifice

Weekly maintenance of the temperature balance orifice is required for proper machine operation.

1. Drain water box below half full.
2. Unscrew nozzle cap from the connector body.
3. Remove the adapter, orifice plate, and strainer.
4. Clean any debris from the strainer and orifice plate.
5. Reassemble as shown in Parts Section - Solution Outlet.

Engine Coolant Replacement

The coolant should be replaced every year. This coolant is an integral part of the heating system and needs to be maintained as any other working part of the system. We recommend that this procedure be accomplished by the following steps.

Draining Coolant:

1. Insert a hose into the radiator drain petcock. Turn counterclockwise to open and drain coolant. After draining approximately 1/2 gallon, open bleed petcock on helicoil to assure that helicoil drains also. Allow the coolant to completely drain. Also drain engine block from under the governor.

! WARNING:

Be sure that used coolant is collected in a proper container and disposed of in accordance with local laws.

! AVERTISSEMENT:

S'assurer que le liquide de refroidissement usé est récupéré dans un contenant approprié et éliminé conformément aux lois locales.

2. After draining is complete, close both the radiator and helicoil petcocks.

Replacing Coolant

1. Fill radiator with 50/50 water/coolant mix.
2. Start unit and set throttle to idle position.
3. As the unit warms up, maintain a full radiator with more water/coolant mix.
4. Open petcock completely on helicoil to allow any trapped air to escape. When coolant runs out of helicoil, close petcock.
5. Fill radiator with water/coolant mix.
6. Re-install radiator cap.
7. Shutdown unit.

Check radiator overflow bottle. Add water/coolant to proper "cold" level.

General Service Adjustments

! WARNING:

USE EXTREME CAUTION The high-speed mechanical parts as well as high temperature components may result in severe injury, severed limbs, or fatality.

! AVERTISSEMENT:

FAIRE PREUVE DE LA PLUS GRANDE PRUDENCE Les pièces mécaniques à haute vitesse de même que les composants à haute température pourrait causer des blessures graves, des amputations ou la mort.

Engine Speed

This unit uses a governor to set and maintain engine speed. The engine speed is adjusted by pulling the throttle out to maximum travel for high speed operation. For lower temperature or vacuum setting, rotate knob clockwise two turns or as needed to obtain desired temperature and vacuum settings.

Engine Speeds		
	Gas Engines	Diesel Engines
Idle		
Throttle Pushed In	850 rpm	1300 rpm
Maximum		
Throttle Pulled Out	2740 rpm	2650 rpm

! CAUTION:

DO NOT attempt to adjust without a tachometer and NEVER adjust the engine to exceed stated maximum RPM (Full Load). Permanent damage may occur.

! ATTENTION:

NE PAS tenter d'effectuer un réglage sans tachymètre et ne JAMAIS régler le moteur de façon à excéder le nombre de tours par minutes indiqué (pleine charge). Cela pourrait cause des dommages permanents.

High Altitude Operations - Gas

Altitude compensation kit is applied for EPA and CARB certified engines only. EPA and CARB emission regulations require the ultimate users of non-road SI engines, as their obligation, to adjust the emissions by installing the appropriate genuine altitude compensation kit. The engine manufacturer must provide such kit when the engine is operated at an altitude that exceeds the standard level, as guaranteed by the engine manufacturer. For this purpose, KUBOTA prepared an engine altitude compensation kit described below. The ultimate users of the SI engines must comply with the regulations through the installation of the appropriate altitude compensation kit for the altitude range where the engine will be operated.

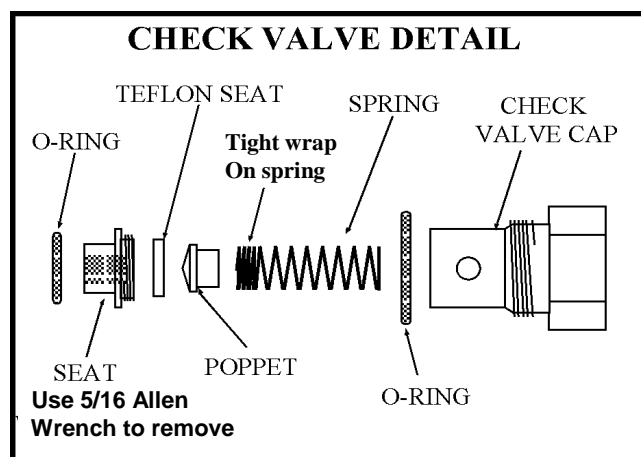
Altitude Compensation Kit	Applicable Altitude Ranges		
Original carburetor (with 0m Kit)	0 m 0 ft	to to	700 m 2300 ft
1000 m compensation kit	300 m 1000 ft	to to	1700 m 5600 ft
2000 m compensation kit	1300 m 4300 ft	to to	1700 m 8900 ft

Contact your local Kubota dealer and specify your engine type and engine serial number to get the Altitude compensation kit part number, and for further information, installation and use.

Check Valve (Solution Outlet)

Inspect the check valve whenever doing service on the chemical pump or if flow problems occur in the chemical system:

1. Remove the check valve. Be sure the small o-ring for the seat comes out with the check valve.
2. Remove the seat, using a 5/16" Allen wrench.
3. Check the Teflon seat for debris or wear. Clean or replace Teflon seat if needed.
4. Clean the poppet and spring, inspect for wear or damage, and replace as needed.
5. Re-assemble the check valve. Start the seat by hand, tighten using a 5/16" Allen wrench. **DO NOT over-tighten seat.**



NOTE: Improper seating of the check valve poppet, damaged spring or o-rings will cause poor operation of the chemical system.

6. Lubricate the o-rings with o-ring lubricant Part #86265430 and reinstall.

Water Box

1. Check inlet strainer for debris and blockage. A blocked strainer could damage the solution pump if water flow is restricted.
2. Inspect water box float valve for freedom of movement and water leaking past valve.

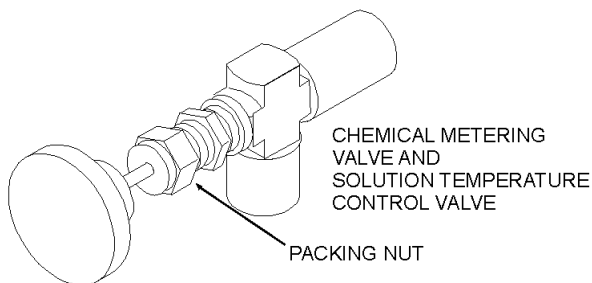
Chemical Pump

The only repairs which the chemical pump may require is the replacement of the diaphragm, disk or check valves. To replace the diaphragm and disk, unscrew the cover from the body. When replacing the diaphragm, lubricate the outer edges of the diaphragm with o-ring lubricant and reassemble. To replace the check valves, unscrew the check valve caps. Replace the check valves and reassemble, using new o-rings.

DO NOT attempt to re-use o-rings once the check valves have been removed. See the "Illustrated Parts Listing" for a parts break-down on the chemical pump.

Packing Nut Adjustments For Chemical Valves

Examine the packing nut on all chemical valves for proper tension every 200 hours. When turning the knob, there should be a small amount of resistance. If not, slightly tighten the packing nut. **DO NOT** over tighten. Keeping the valve packings properly adjusted will eliminate possible leakage from the valve stem and add to overall valve life.



Pressure Regulator

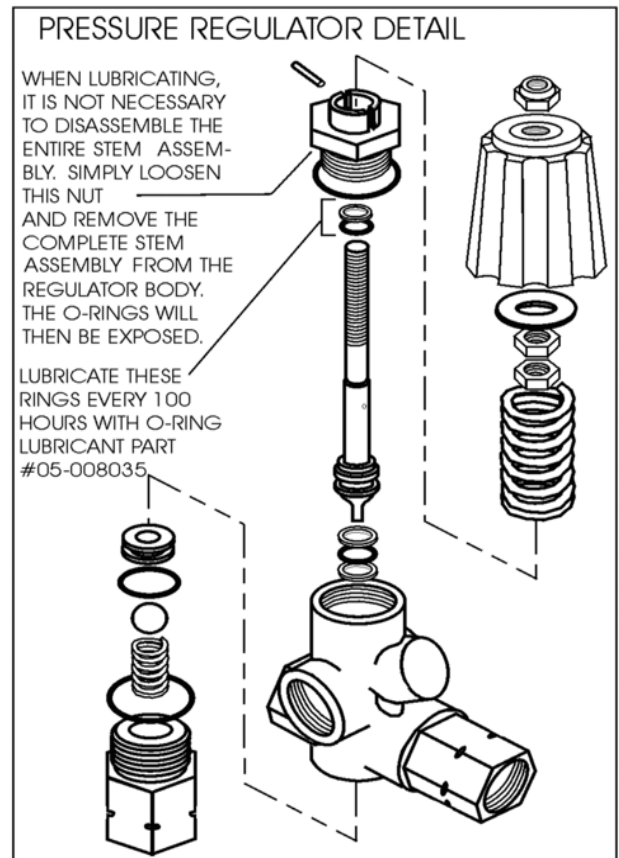
The pressure regulator serves to maintain water pressure at a preset point and to bypass water back to the water box.

To adjust:

1. With your unit running, close the cleaning tool valve. Check the pressure gauge. Open the tool valve. We recommend setting the pressure regulator so that the pressure gauge reads 450 PSI with the tool valve closed.

When the tool valve is opened, there is an approximate drop of 100 PSI in pressure. If there is a pressure drop greater than 100 PSI, it may be necessary to lubricate the o-rings in the pressure regulator.

2. If the pressure regulator requires adjustment, turn the adjusting knob (while observing the pressure gauge on the control panel) until the desired pressure is obtained.



Troubleshooting

Problem	Cause	Solution
<p>Loss of solution pump pressure.</p> <p>With the cleaning tool open, the solution pressure gauge reads below the normal operating pressure.</p>	Water supply is turned off or the float valve is stuck or improperly adjusted.	Turn the water supply on or up. Check for kinks in the water supply hose. Examine the float valve and adjust or replace.
	Solution pump inlet supply line is plugged or drawing air.	Examine the water inlet strainer inside the water box. Remove accumulated debris and replace if required. Check for suction leaks and loose clamps or fittings. Tighten any loose fittings or clamps. Replace any ruptured hose(s).
	Improper engine speed - Gas	Using a tachometer, check the engine speed. Full throttle engine speed is 2740 RPM. Idle engine speed is 850 RPM. Refer to the "engine Speed" section for instructions on how to re-adjust.
	Improper engine speed - Diesel	Using a tachometer, check the engine speed. Full throttle engine speed is 2650 RPM. Idle engine speed is 1300 RPM. Refer to the "engine Speed" section for instructions on how to re-adjust.
	Pressure regulator o-rings are dry.	Lubricate o-rings, using o-ring lubricant Part #86265430.
	Pressure regulator has worn o-rings	Check o-rings. If necessary, replace.
	Pressure regulator is dirty, stuck open, or improperly adjusted.	Clean or repair regulator. Adjust to working pressure. Lubricate o-rings, using o-ring lubricant.
	Low pump volume. (Measure the amount of water being returned to the water box from the pressure regulator. It should fill a gallon container about every 17 seconds).	Examine the check valves, plunger cups, and cylinder head on the solution pump. Repair, whenever required (refer to the solution pump service manual).
	Defective solution pressure gauge.	Replace gauge
	Orifice (spray nozzle) in the cleaning tool is worn, defective, or wrong size.	Replace Nozzle or change nozzle size.
	Debris clogging water lines or water inlet disconnect.	Clean or replace as needed.
	Belts loose or broken	Re-tension or replace as needed.
	Loss of pump prime	Manually prime solution pump
<p>Loss of solution volume at cleaning tool orifice.</p> <p>Solution gauge reads normal.</p>	Plugged orifice and/or screen in the cleaning tool.	Unplug or replace orifice and/or screen.
	Internal block between the pressure regulator manifold and the solution manifold, or the solution screen is clogged	Inspect all lines, remove accumulated debris which is blocking proper flow. Replace any defective hoses. Remove, inspect, and clean the solution screen. De-scale unit and install a water softener, if necessary.
	Outlet check valve is plugged	Examine the check valve, remove any debris
	Defective quick-connect on one or more of the solution pressure hoses.	Replace defective quick-connect(s) on solution pressure hose(s).
	Cleaning tool valve is malfunctioning.	Repair or replace valve.
	Hose inner lining is constricted.	Remove restriction or replace hose.

Problem	Cause	Solution
Loss of vacuum While cleaning, the vacuum is not up to specification. Engine RPM is normal.	Vacuum gauge is giving an improper reading.	Examine the tubing between the vacuum relief valve and the vacuum gauge and remove any blockage.
	Vacuum hose(s) is damaged, causing a suction leak.	Inspect hose(s), repair or replace.
	Waste tank gaskets not sealing properly, not positioned properly	Inspect the gaskets. Repair or replace as necessary. Re-position lid, inlet and outlet
	Plugged vacuum hose or vacuum plumbing between vacuum inlet and strainer basket.	Unplug vacuum hose or inlet plumbing.
	Waste tank filter or strainer basket is plugged.	Clean or replace filter. Clean strainer basket.
	Loose vacuum pump drive belts.	Tighten the drive belts
	Waste tank drain valve is damaged or left open, causing a vacuum leak.	Close drain valve, if open. Remove the drain valve and, after inspecting, replace the defective components.
	Vacuum relief valve requires adjustment or has a vacuum leak due to damaged diaphragm.	Re-adjust the vacuum relief valve. If the vacuum does not increase, remove and inspect the relief valve diaphragm. If damaged, replace
	Vacuum exhaust heat exchangers are plugged with lint.	Remove and clean.
	Vacuum pump is worn out.	Replace the vacuum pump.
Excessive vacuum	Improper throttle adjustment.	Adjust throttle to set desired vacuum pressure.
	Vacuum obstruction	Inspect hoses for obstructions.
	Vacuum relief valve requires adjustment.	Readjust the vacuum relief valve.
Loss of chemical With the cleaning tool valve open, no chemical	Chemical pump is improperly primed.	Refer to chemical pump priming instructions.
	The strainer at the inlet end of the chemical inlet tube is clogged	Unclog the strainer. If damaged, replace.
	Suction leak in the inlet tube leading into the chemical pump.	Inspect inlet tube and flow meter for damage and replace, if required.
	Chemical pump check valve(s) is clogged	Remove any debris from the chemical check valve(s). Replace chemical check valve(s) or seals, if necessary.
	Chemical prime/on-off valve or chemical metering valve is defective.	Replace valve(s).
	Chemical pump diaphragm is ruptured.	Disassemble the chemical pump and replace the damaged diaphragm and plastic disk.
Chemical flow meter indicates flow with the tool valve closed	External leak in chemical piping	Tighten fittings. Re-apply thread sealant where required. If any fittings are damaged, replace.
	Outlet check valve is full of debris or damaged, not allowing it to close properly	Close the chemical valve on the chemical panel. If the flow meter does not indicate flow, remove debris or replace check valve, if necessary.
	Chemical pump diaphragm is ruptured	Close the chemical valve on the chemical panel. If the flow meter still indicates flow, replace the chemical pump diaphragm and plastic disk.
	Internal leak in chemical valve causing continual flow through prime tube returning to waste tank.	Tighten valve packing nut (see "General Service Adjustments" section in this manual). Replace valve, if necessary.

Troubleshooting Continued

Problem	Cause	Solution
Solution pump does not engage	Solution pump circuit breaker has been tripped	Check the solution pump circuit breaker on the control panel. Press the circuit breaker reset button.
	Defective electrical connection in the console wiring or defective switch.	Examine switch, electrical connections, and wiring. Repair any defective connections. If there is power going to the switch but not going out, replace the defective switch.
	Solution pump has not been activated	Turn solution pump switch to on.
	Defective solution pump clutch.	If there is power in the switch, but not power at the clutch, replace the defective wire. If there is power at the clutch, replace the defective switch.
	Loose or broken solution pump belts.	Tighten or replace belts.
Engine will not start. The engine does not turn over	Main circuit breaker on the control panel has been tripped.	After inspecting the unit to determine the cause of the tripped circuit breaker, press the reset button.
	Loose or corroded battery.	Clean, tighten, or replace the battery terminals.
	Dead battery.	Recharge or replace battery.
	Defective ignition switch.	Test ignition switch for power going into the switch. If there is power going in but NO power going out, replace the switch.
	Defective starter motor.	Test the starter motor. If necessary replace.
Vacuum pump seized.	Refer to Gardner Denver Service & Repair Manual or dealer.	
Starter turns over engine, but will not start	Waste tank is full.	Empty the waste tank.
	Engine temperature has exceeded 240°F, triggering the high temperature switch to shut the unit down.	Determine the cause of overheating before restarting the unit. See "Excessive Heating" in the "Troubleshooting" section of this manual.
	Defective fuel pump.	Replace the fuel pump.
	Loose or broken wires leading to waste tank float switch.	Repair or replace any broken electrical connections.
	Defective float switch in the waste tank.	Check switch for proper operation, replace as necessary.
	Oil pressure switch (located on engine), anti-diesel solenoid (located on engine), high temperature switch (located on engine).	Test these components. If any are defective, replace. Consult the Kubota Engine Operation and Maintenance Manual.
	Defective fuel shutdown solenoid	Test. Replace. (Diesel Only)
Engine is malfunctioning	Refer to Kubota Engine Operation and Maintenance Manual.	

Problem	Cause	Solution
Engine stops running. While doing normal cleaning, the engine stops running.	Engine is out of fuel	Add fuel to the fuel tank.
	Waste tank is full	Empty waste tank.
	Main or engine circuit breaker on the control panel has been tripped.	After inspecting the unit to determine the cause of the tripped circuit breaker, press the reset button.
	Engine coolant temperature has exceeded 240°F, triggering the high temperature switch to shut the unit down.	Determine the cause of the over-heating before restarting the unit. Refer to the Kubota Engine Operation and Maintenance Manual.
	Defective fuel pump.	Replace fuel pump.
	Defective float switch inside the waste tank.	Check switch for proper operation. Replace as necessary.
	Defective 240°F engine coolant high-temperature shutdown switch.	Test switch. If necessary, replace.
	Oil pressure gauge on engine has shut down, due to insufficient oil pressure.	Refer to the Kubota Engine Operation and Maintenance Manual. DO NOT restart the engine until the cause is determined and corrected.
Excessive heating	No ignition in the engine or engine is malfunctioning.	Refer to the Kubota Engine Operation and Maintenance Manual.
	Flow restriction caused by hard water scaling.	Descale unit, repair or replace damaged plumbing components as necessary. Install water softener.
Heat exchanger leaks. NOTE: The exhaust heat exchanger will produce water condensation discharge at times during normal operation. DO NOT confuse this with a leak.	Not enough water flow.	Check jet size of tool.
	Engine/vacuum exhaust heat exchangers are damaged from frozen water.	Inspect heat exchangers for leaks. Visually inspect for damage. Pressure check after removing from the unit. (Maximum test pressure 1200 PSI).
Loss of temperature. The heat output of the unit is LESS than normal.	Temperature relief valve on water box is stuck open.	Clean temperature relief valve and test. Replace, if necessary.
	Engine RPM is low.	Reset engine RPM.
	Defective temperature gauge.	Test gauge and sensor. Replace failed component.
Automatic waste pump is malfunctioning or not operating normally. NOTE: When replacing either the pump or float switch on internal (in tank) pumpout, use new electrical connectors and heat shrink. Inspect connection for watertight seal.	Defective waste pump float switch.	Replace float switch.
	Broken diaphragm.	Replace diaphragm.
	Weak battery.	Charge or replace battery if needed. Check charging station.
	Pump-out circuit breaker on control panel has been tripped.	After inspecting waste pump to determine the cause of the tripped circuit breaker, press the reset button.

PROCHEM[®]

Kärcher Group

Spare Parts List

(1.001-139.0, 1.001-140.0)

Apex GTX

From Serial Number (Ref No1*)

*See Serial Number Page
or call manufacturer

How to Use this Spare Parts List

The PARTS LIST section contains assembled parts illustrations and corresponding parts list. The parts lists include a number of columns of information:

- REF - column refers to the reference number on the parts illustration.
- PART NO. - column lists the part number for the part.
- QTY - column lists the quantity of the part used in that area of the machine.
- DESCRIPTION - column is a brief description of the part.
- SERIAL NO. FROM - If this column has an (*) and a Reference number, see the SERIAL NUMBERS page in the back of your manual. If column has two asterisk (**), call manufacturer for serial number. The serial number indicates the first machine the part number is applicable to. The main illustration shows the most current design of the machine. When a boxed illustration is shown, it displays the older design.
- NOTES - column for information not noted by the other columns.

NOTE: *If a service or option kit is installed on your machine, be sure to keep the KIT INSTRUCTIONS which came with the kit. It contains replacement parts numbers needed for ordering future parts.*

How to Use this Spare Parts List2

Table of Contents3

Frame 4

Frame - Hoods 6

Side Panel - Right 8

Side Panel - Left 10

Chemical Panel 12

Control Panel - Gas 14

Control Panel - Diesel 16

Control Panel Mounting 18

Engine - Gas 20

Engine - Diesel 22

Engine Mounting 24

Engine Mounting 26

Coolant System 28

Vacuum Pump 30

Solution Pump 32

Solution Pump 34

Heat Exchanger - Exhaust - Gas 36

Heat Exchanger - Exhaust - Diesel 38

Heat Exchanger-Cores 40

Heat Exchanger Mounting 42

Helicoil 44

Helicoil Mounting 46

Solution Outlet 48

Water Box 50

Pressure Regulator 52

100 Gallon Waste Tank 54

60 Gallon Waste Tank 56

Fuel Pump - Gas 58

Fuel Pump - Diesel 60

Battery Floor Mount 62

Chemical Jug Floor Mount 64

Hose Diagram - Gas 66

Hose Diagram - Diesel 67

Wiring Diagram - Gas 68

Wiring Diagram - Diesel 69

Options

Hose Accessories 72

Exhaust - Optional 74

Automatic Pumpout - Dual Diaphragm - Optional 76

Wand - Titanium Six Jet - Optional 78

Wand - Ergo Titanium Six Jet - Optional 80

Wand - Quad Jet - Optional 82

Wand - Tri Jet -Optional 84

Stair Tool - Optional 86

Upholstery Tool - Optional 88

Shelf Assembly - Optional 90

Water Tank Dual with Demand Pump - Optional . 92

Water Tank - Demand Pump - Optional 94

Auxiliary Water Tank with Pump-Optional 96

Hose Reel - Optional 98

Motorized Hose Reel - Tank - Optional 100

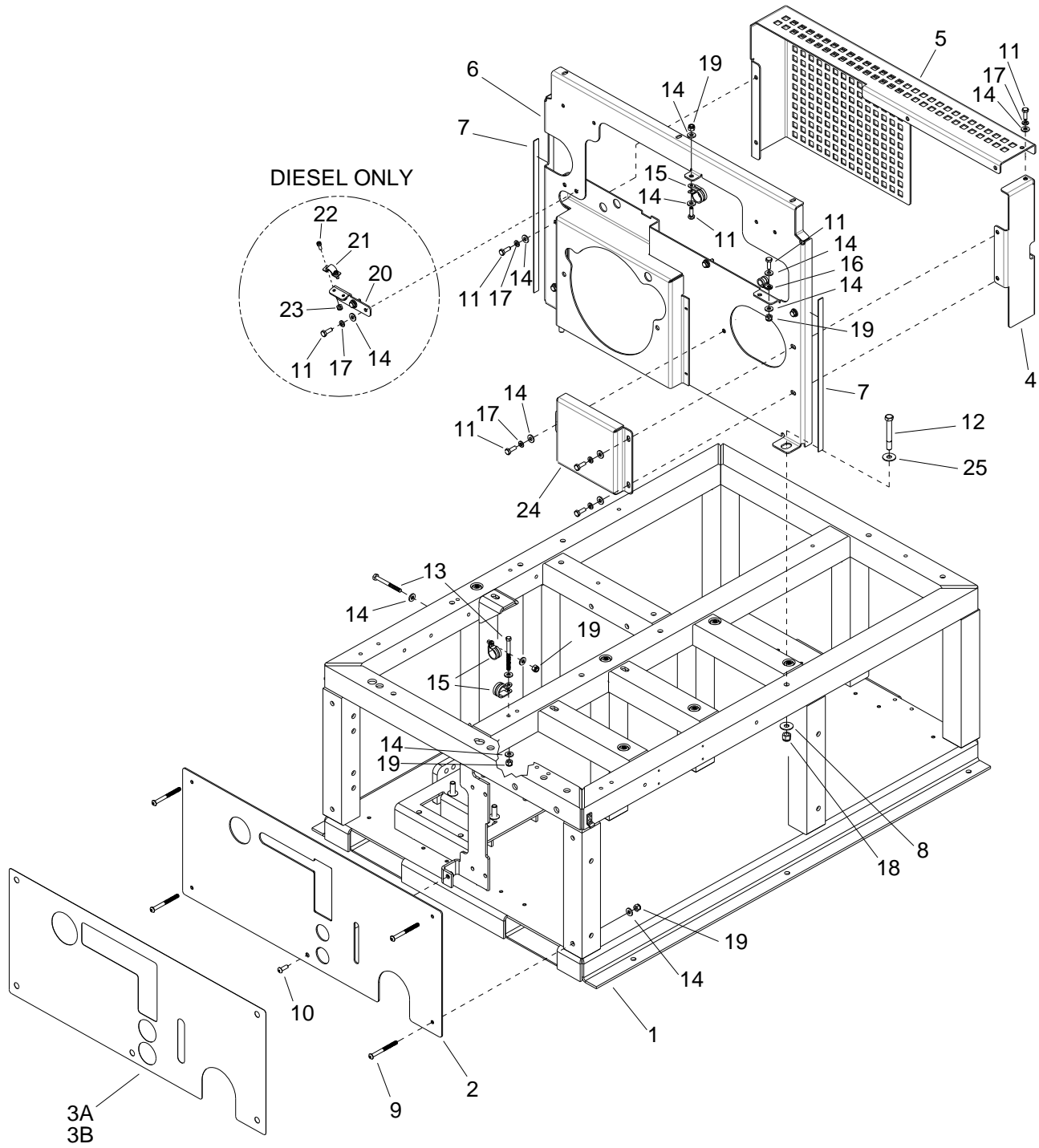
Motorized Hose Reel - Optional 102

E Z - Charge Water Softener - Tank & Tray - Optional 104

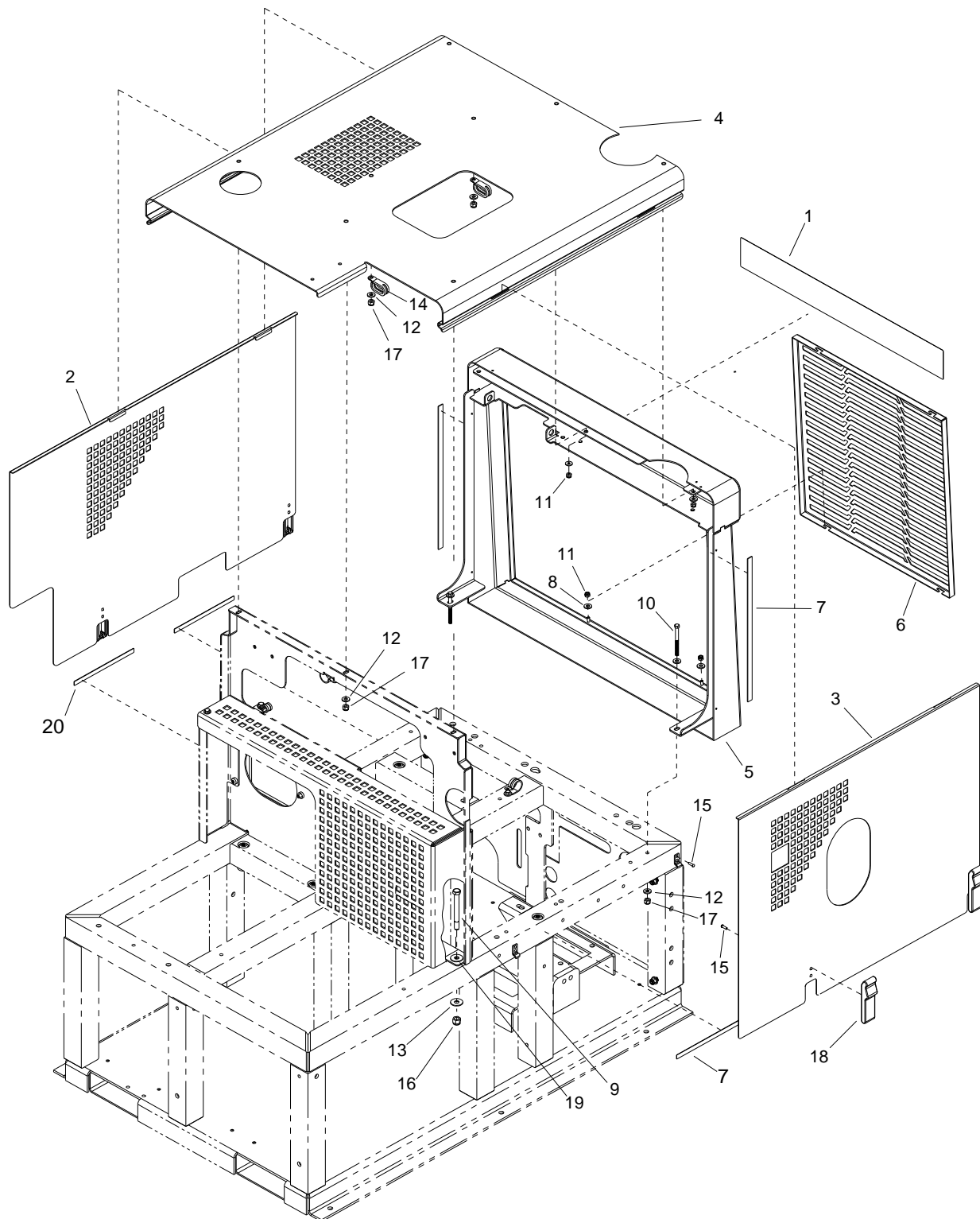
E Z - Charge Water Softener - Filter - Optional . 106

E Z - Charge Water Softener - Brine System - Optional 108

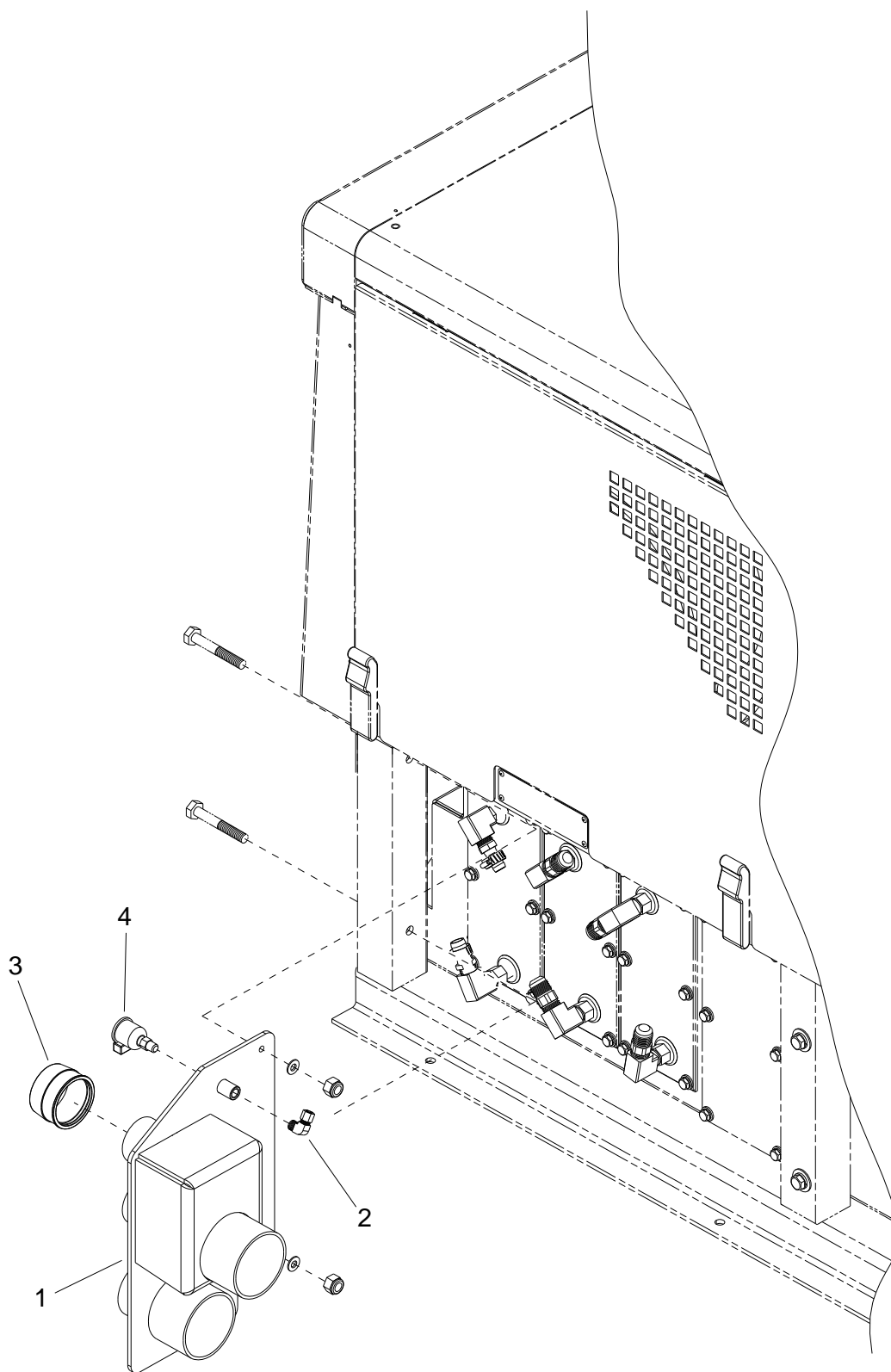
Serial Numbers 110



REF	PART NO.	QTY	DESCRIPTION	SERIAL NO. FROM	NOTES
1	86341640	1	ASSEMBLY, FRAME		
2	86334850	1	PNL, LOWER FRONT, AGT		
3A	86409310	1	LABEL, LOWER FRONT PNL, AGT		GAS
3B	86409320	1	LABEL, LOWER FRONT PNL, AGT-D		DIESEL
4	86334670	1	GUARD, BLWR BELT SIDE, AGT		
5	86334660	1	GUARD, BLWR BELT MAIN, AGT		
6	86334410	1	BRKT, REAR ENG/HOOD SUPT, AGT		
7	86315490	2	GASKET, HOOD VIBE DAMPNR		
8	86279510	1	WASHER, 3/8 X 1 FLAT NP		
9	86277730	4	SCR, 1/4-20X2.75 BHCS BLK		
10	86275460	1	SCR, 1/4-20 X 3/4 BHCS		
11	86274750	10	SCR, 1/4-20 X 3/4 HHCS		
12	86274000	1	SCR, 3/8-16 X 3 HHCS GR5		
13	86273330	2	SCR, CAP 1/4-20 X 2.75 HXHD		
14	86270330	34	FLATWASHER, 1/4		
15	86233390	3	CLAMP, 7/8 DIA P CUSHIONED		
16	86177090	1	CLAMP, CABLE 1/2I.D. 1/4BLT		
17	86010780	10	WASHER, 1/4 SPLIT		
18	86005770	1	NUT, 3/8-16 HEX NYLOCK		
19	86005680	8	NUT, 1/4-20 HEX NYLOCK		
20	86349700	1	BRKT, THROTTLE MTG, AGT-D		DIESEL
21	86177140	1	CLAMP, THROTTLE CABLE		DIESEL
22	86275530	2	SCR, #10-24 X 1/2 SHCS SS		DIESEL
23	86271770	2	NUT, 10-24 HEX NYLOCK SS		DIESEL
24	86350300	1	GUARD, BLOWER HUB, AGT		
25	86310690	1	WASH,3/8ID X 1.0OD X1/8THK SS		

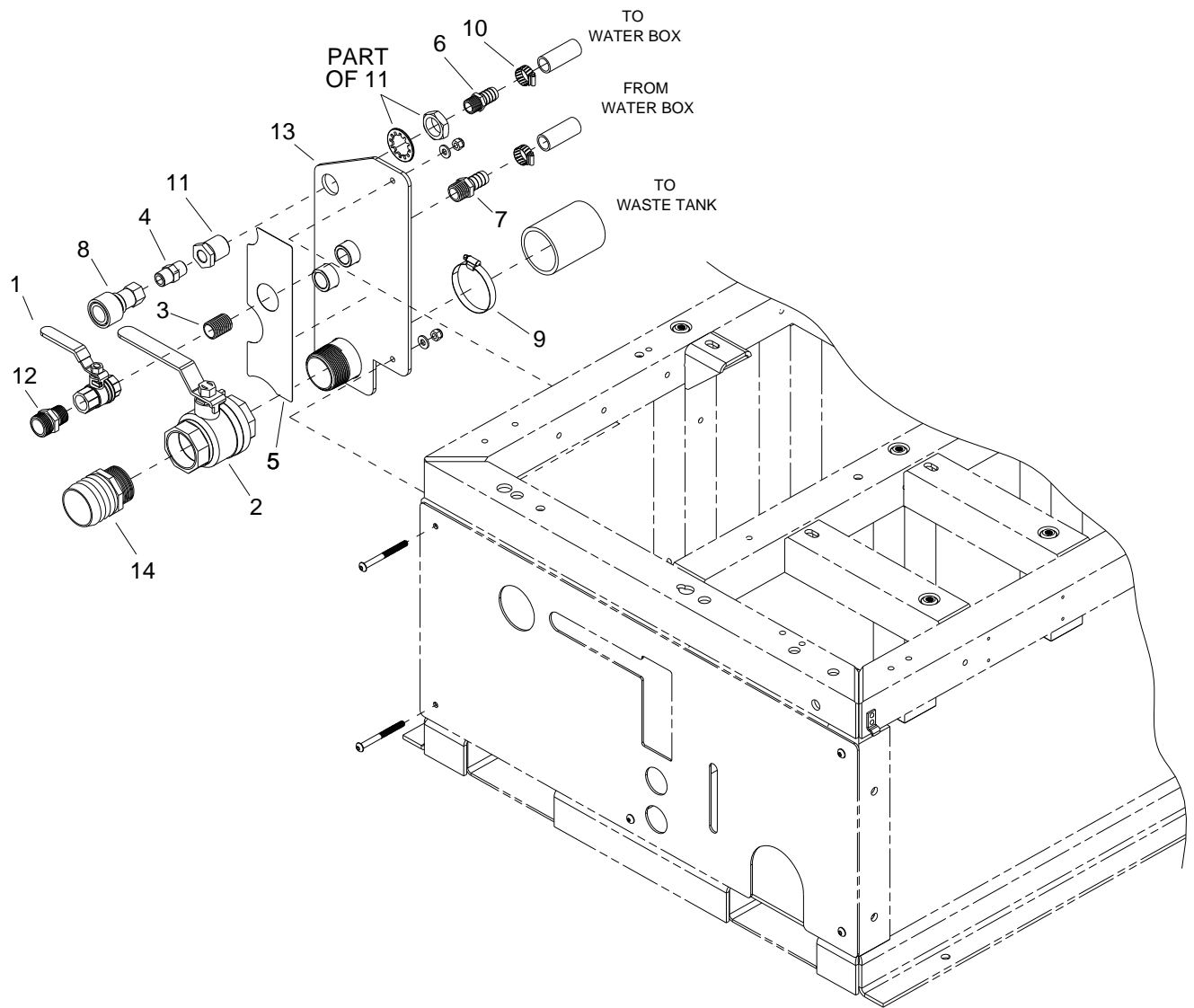


REF	PART NO.	QTY	DESCRIPTION	SERIAL NO. FROM	NOTES
1	86409330	1	LABEL, FRNT HD, AGT PC		
2	86334570	1	ASSY, RIGHT HOOD, AGT		18 ATTACHED
3	86334430	1	ASSY, LEFT HOOD, AGT		18 ATTACHED
4	86334360	1	BRKT, CENTER HOOD, AGT		
5	86334330	1	ASSY, FRONT HOOD, AGT PC		
6	86322980	1	PNL, GRILLE, PGT		
7	86315490	3	GASKET, HOOD VIBE DAMPNR		
8	86279340	4	WASHER, 3/16 X 9/16 FLAT		
9	86274000	1	SCR, 3/8-16 X 3 HHCS GR5		
10	86273330	2	SCR, CAP 1/4-20 X 2.75 HXHD		
11	86270990	4	NUT, 10-32 HEX NYLOCK SS		
12	86270330	12	FLATWASHER, 1/4		
13	86279510	1	WASHER, 3/8 FLAT		
14	86177370	2	CLMP,FUEL LINE 5/16x1/4B		
15	86191800	16	RIVET, 5/32 OD X .188-.250 GL AL		
16	86005770	1	NUT, 3/8-16 HEX NYLOCK		
17	86005680	10	NUT, 1/4-20 HEX NYLOCK		
18	86161800	4	LATCH, CONCEALED KEEPER		
19	86310690	1	WASH, 3/8ID X 1.0OD X1/8THK SS		
20	86360670	2	GASKET, HOOD VIBE DAMPNR 4"		

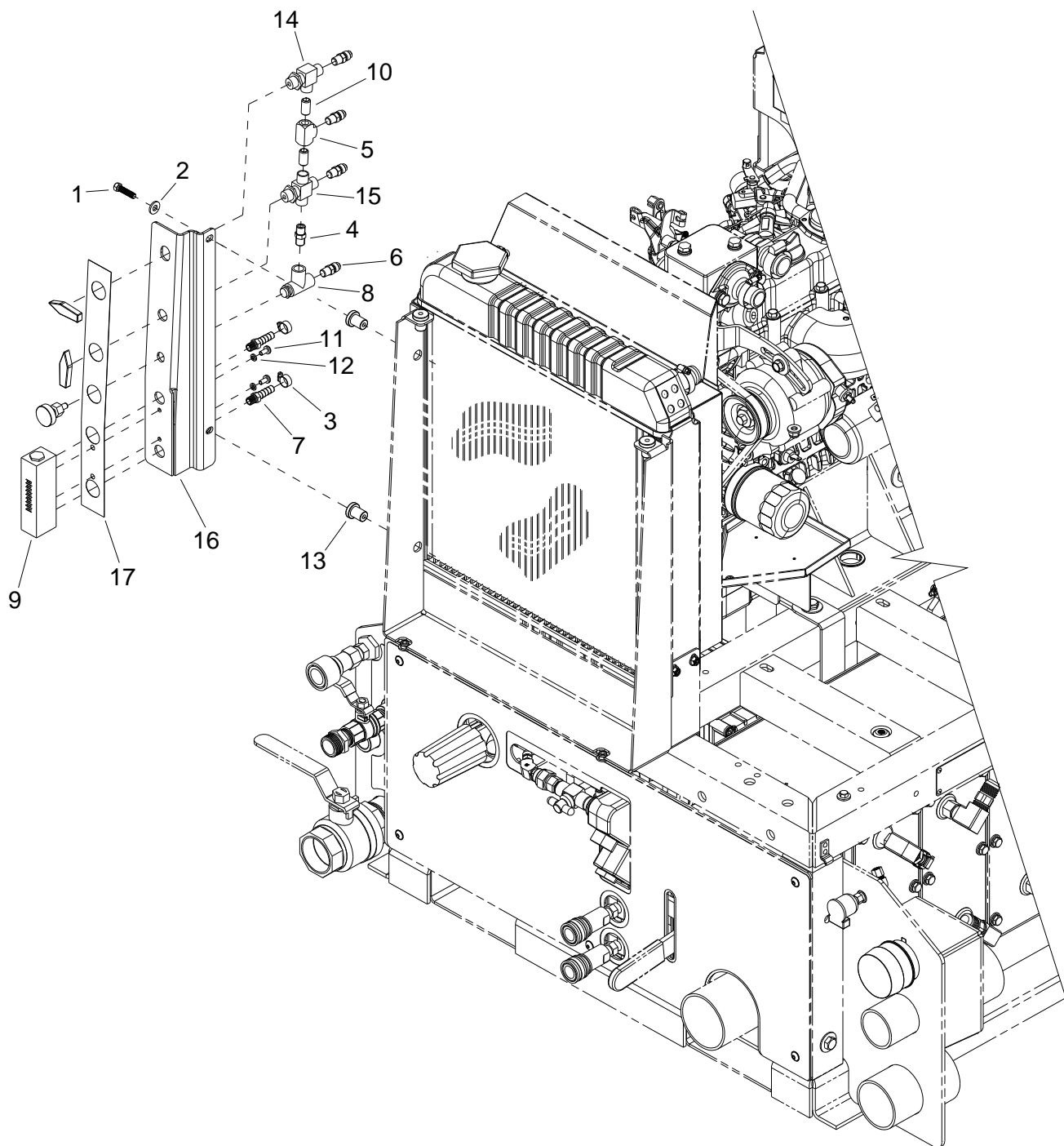


REF	PART NO.	QTY	DESCRIPTION	SERIAL NO. FROM	NOTES
1	86330040	1	BRKT, VAC INLET, APEX		
2	86180370	1	ELL, 1/8P X 1/4 POLY BR		
3	86180700	2	END CAP, VAC INLET, 1 1/2		
4	86178700	1	CUP, OIL FILL 1/8P		

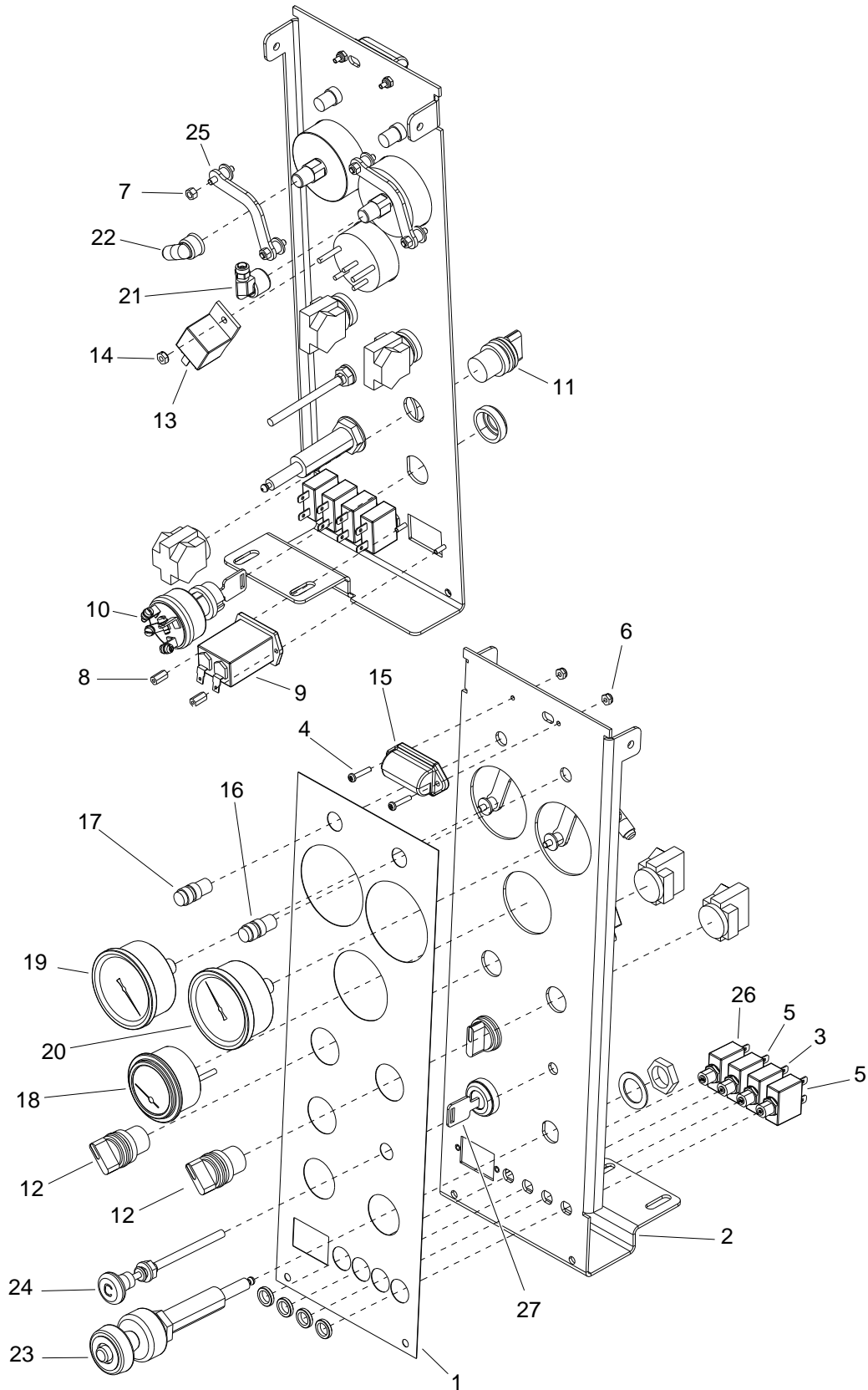
Side Panel - Left



REF	PART NO.	QTY	DESCRIPTION	SERIAL NO. FROM	NOTES
1	86195230	1	VLV, BALL 1/2FP BS		
2	86195180	1	VALVE, BALL 1.5 FNPT		
3	86188180	1	NIP, 1/2 X CL		
4	86188080	1	NIP,3/8 HX BR		
5	86409340	1	LABEL, WATER INLET		
6	86181400	1	FTTG, BRB 3/8P x 5/8H BR		
7	86181360	1	FTTG, BRB 1/2P X 5/8H BR		
8	86179710	1	DSC, 3/8F X 3/8FP		
9	86177220	1	CLMP, HOS#32 1.5625/2.5, SST		
10	86177260	2	CLMP,HOS#10 9/16MIN 1-1/		
11	86173640	1	ADPT,3/8 BLKHD		
12	86173530	1	ADAPTER, HOSE 1/2M X 3/4MGT		
13	86353210	1	ASM, DUAL CPLG WTR IN BRKT		
14	86181410	1	FTTG, VARB 1-1/2P X 2H		

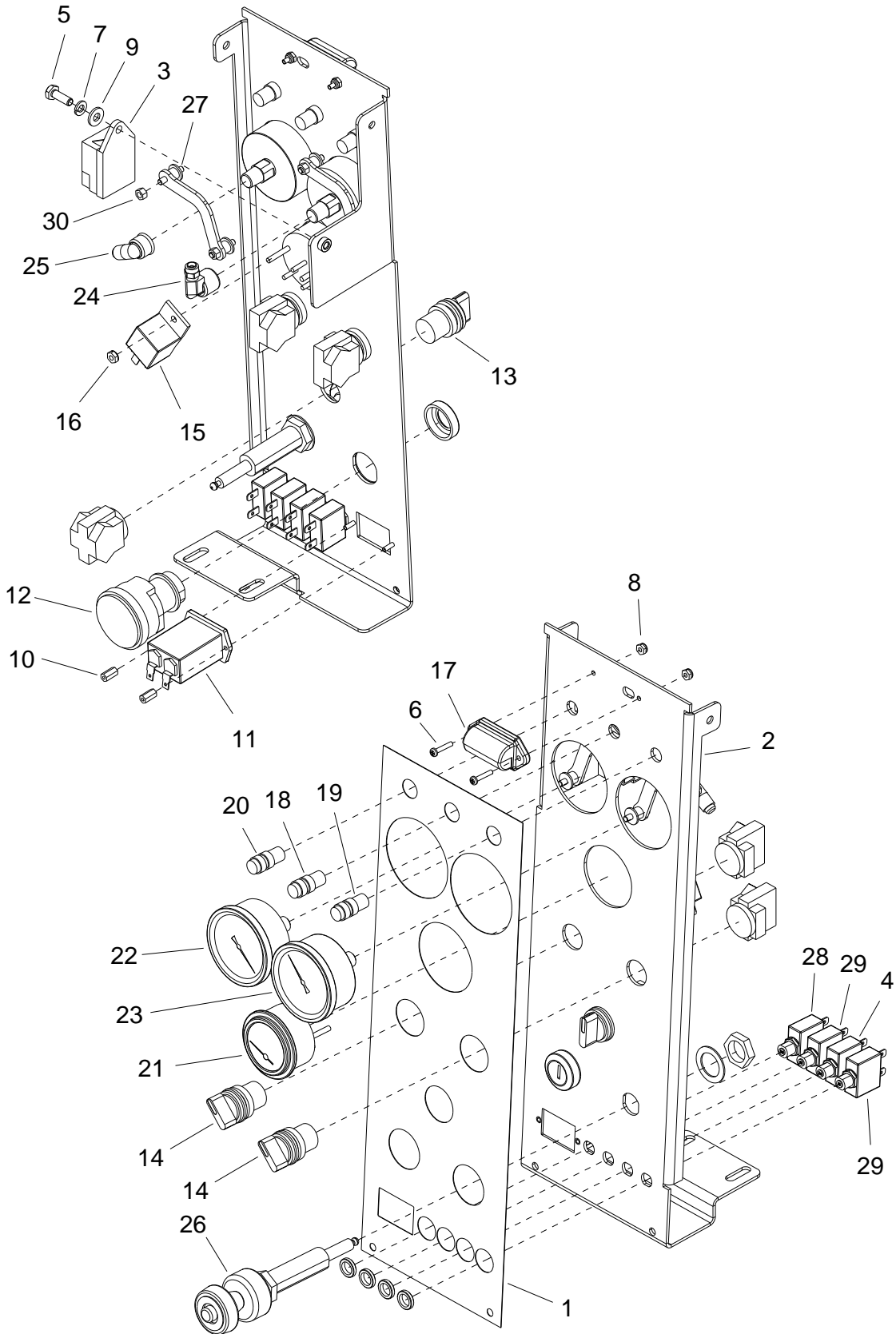


REF	PART NO.	QTY	DESCRIPTION	SERIAL NO. FROM	NOTES
1	86273180	2	SCR, 1/4-20 X 1" HXHD GRD8		
2	86270330	2	FLATWASHER, 1/4		
3	86176990	2	CLAMP, HOSE #4 SST		
4	86188000	1	NIP, 1/8 HX BR		
5	86194160	1	TEE, 1/8 BR		
6	86177660	4	CONN, 1/8P X 1/4T		
7	86181300	2	FTTG, BRB 1/8P X 5/16H		
8	86195050	1	VALVE, METERING 1/8FP		
9	86181170	1	FLOWMETER 1/8FP		
10	86247720	2	NIPPLE, 1/8 CLOSE		
11	86274290	2	SCR, 10-32 X 3/8 PPHMS SS		
12	86279470	2	WASHER, #10 SPLIT		
13	86189050	2	NUT, WELL 1/4-20 HD		
14	86195160	1	VALVE, 2-WAY BALL 1/8FP		
15	86297070	1	VALVE, 3-WAY BALL 1/8P		
16	86324090	1	PNL, CHEMICAL CONTROL, PGT		
17	86409280	1	LABEL, CHEMICAL PANEL, PGT		



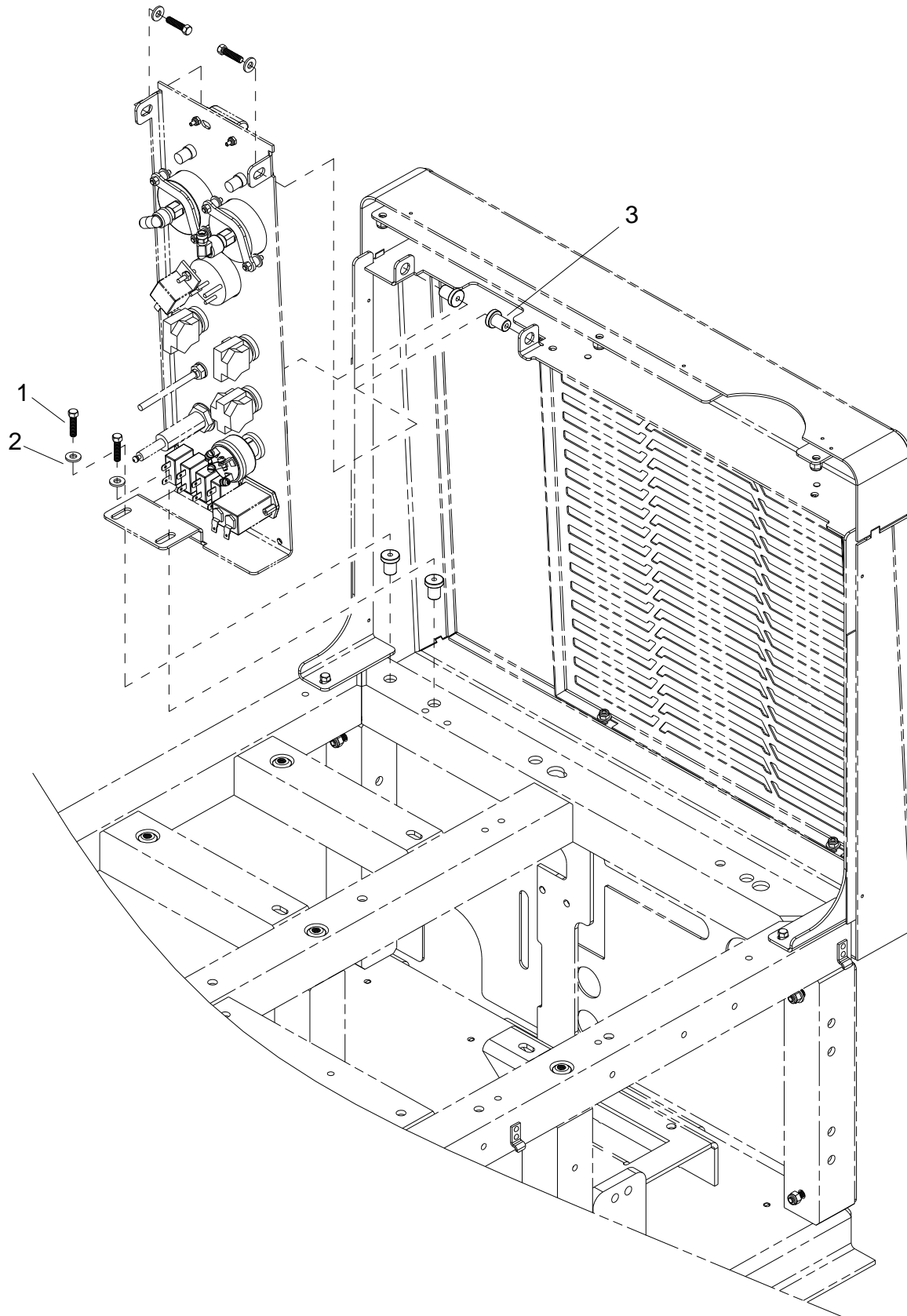
REF	PART NO.	QTY	DESCRIPTION	SERIAL NO. FROM	NOTES
1	86409290	1	LABEL, CONTROL PANEL, AGT		
2	86334380	1	PNL, CONTROL, AGT GAS		
3	86298280	1	BRKR, CIRCUIT, 20A		
4	86273790	2	SCR, 6-32 X 3/4 PPHMS SS		
5	86175600	2	BRKR, CIRCUIT, 15A		
6	86270920	2	NUT, 6-32 HEX NYLOCK SS		
7	86136310	4	NUT, M5 X 4.7 HEX NYLOCK		
8	86255920	2	STANDOFF, 6-32 X 1/2 HEX NYL		
9	86246890	1	METER,0-60VDC HOUR		
10	86193770	1	SW, START W/KEY 3 POS TM		
11	86193760	1	SW,RTRY W/BYPASS NON-ILL		
12	86193750	2	SW, RTRY NON-ILLUM TM		
13	86191740	1	RELAY, ENG SHTDWN		
14	86005720	1	NUT, 8-32 W/STAR WASHER PLTD		
15	86187070	1	LT,INST PRF805		
16	86186940	1	LIGHT, WARNING, AMBER, IDEC		
17	86186930	1	LIGHT, WARNING, IDEC AP2M		
18	86181960	1	GAUGE, TEMP, DATCON		
19	86181950	1	GAUGE, VACUUM, 15" HG		BRKT 86175680 INCLUDED
20	86181930	1	GAUGE, 1200 PSI		BRKT 86175680 INCLUDED
21	86180380	1	ELL, 1/4FPx1/4POLY BR		
22	86180350	1	ELL, 1/4FP X 1/4T BR		
23	86178170	1	CONTROL, THROTTLE, APEX		
24	86176120	1	CABLE, CHOKE		
25	86175680	2	BRKT, WIKA MOUNTING		
26	86175610	1	BRKR, CIRCUIT, 30A		
27	86186000	1	KEY, SWITCH, TM (32-900201)		(KEY ONLY)
-	86191790	1	RETAINER, THROTTLE CABLE		
-	86193270	1	SPRING, THROTTLE RETURN		
-	86193390	1	STOP, THROTTLE SPRING		
-	86277350	1	SCR, M6X6, HHC, 8.8TCN, ZN		FOR THROTTLE
-	86192070	2	SCR,SET 8-32X1/4 SS		FOR THROTTLE
-	86349600	1	HOSE, 1/4ID NYLOBRD X 36"		FOR CHOKE
-	86276730	1	SCR, M4 X 8MM LG PPHM		FOR CHOKE

Control Panel - Diesel

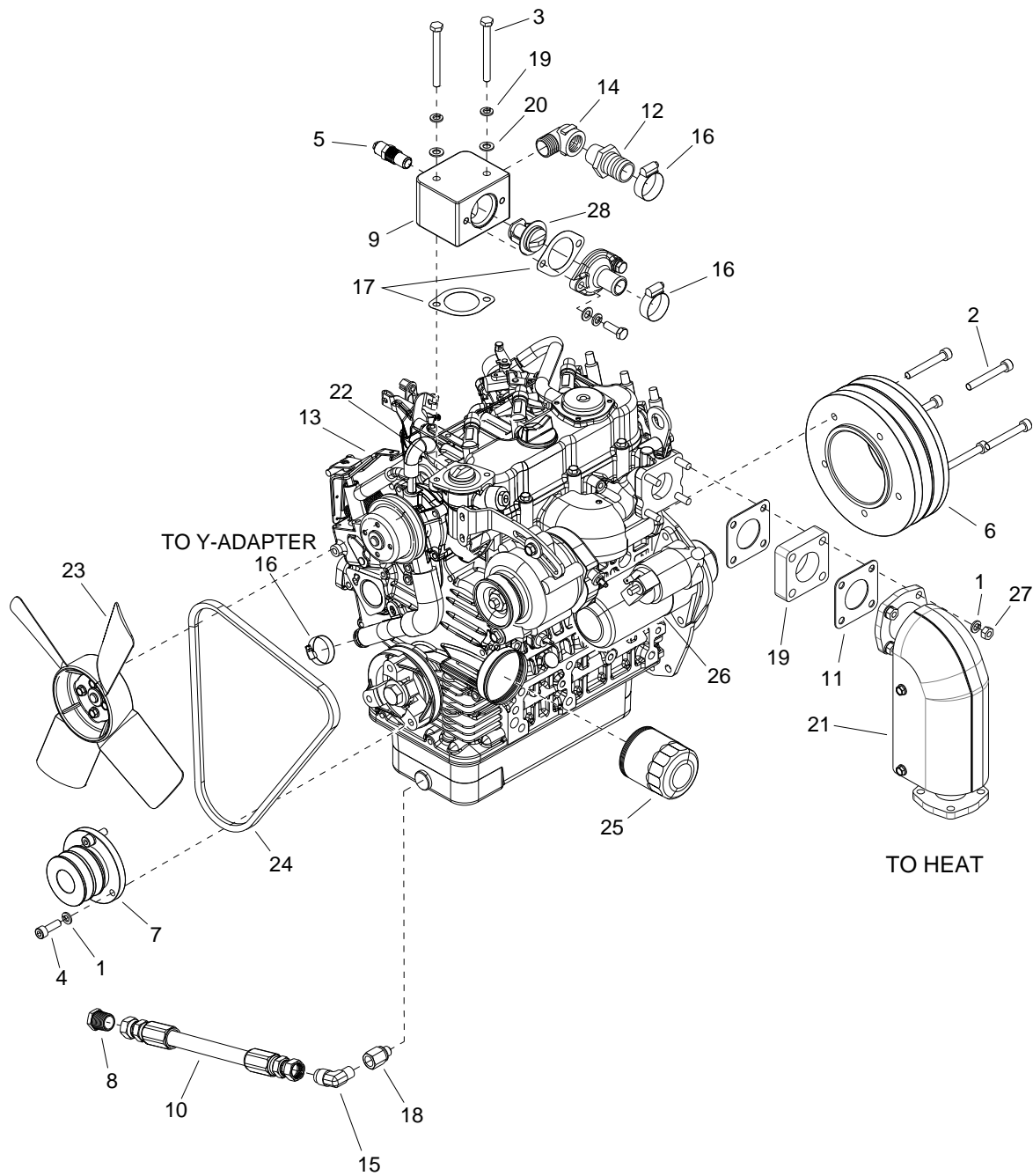


REF	PART NO.	QTY	DESCRIPTION	SERIAL NO. FROM	NOTES
1	86409300	1	LABEL, CONTROL PANEL, AGT-D		
2	86334390	1	PNL, CONTROL, AGT DIESEL		
3	86308810	1	TIMER, GLOW PLUG		
4	86298280	1	BRKR, CIRCUIT, 20A		
5	86274750	1	SCR, 1/4-20 X 3/4 HHCS		
6	86273790	2	SCR, 6-32 X 3/4 PPHMS SS		
7	86010780	1	WASHER, 1/4 SPLIT		
8	86270920	2	NUT, 6-32 HEX NYLOCK SS		
9	86270330	2	FLATWASHER, 1/4		
10	86255920	2	STANDOFF, 6-32 X 1/2 HEX NYL		
11	86246890	1	METER, 0-60VDC HOUR		
12	86193880	1	SWITCH, IGN, KUBOTA DIESEL		
13	86193760	1	SW, RTRY W/BYPASS NON-ILL		
14	86193750	2	SW, RTRY NON-ILLUM TM		
15	86191740	1	RELAY, ENG SHTDWN		
16	86005720	1	NUT, 8-32 W/STAR WASHER PLTD		
17	86187070	1	LT, INST PRF805		
18	86186950	1	LIGHT, WARNING, GREEN, IDEC		
19	86186940	1	LIGHT, WARNING, AMBER, IDEC		
20	86186930	1	LIGHT, WARNING, IDEC AP2M		
21	86181960	1	GAUGE, TEMP, DATCON		
22	86181950	1	GAUGE, VACUUM, 15" HG		BRKT 86175680 INCLUDED
23	86181930	1	GAUGE, 1200 PSI		BRKT 86175680 INCLUDED
24	86180380	1	ELL, 1/4FPx1/4POLY BR		
25	86180350	1	ELL, 1/4FP X 1/4T BR		
26	86177550	1	CNTRL, THROTTLE, APEX DIESEL		
27	86175680	2	BRKT, WIKA MOUNTING		
28	86175610	1	BRKR, CIRCUIT, 30A		
29	86175600	2	BRKR, CIRCUIT, 15A		
30	86136310	4	NUT, M5 X 4.7 HEX NYLOCK		
-	86174430	1	ATTACH, THROTTLE CABLE TO ARM		
-	86192950	1	SPACER, THROTTLE LINKAGE		
-	86193210	1	SPG, THROTTLE RETURN, DIESEL		
-	86272200	1	PIN, COTTER 1/16" X 3/4 L PLTD		

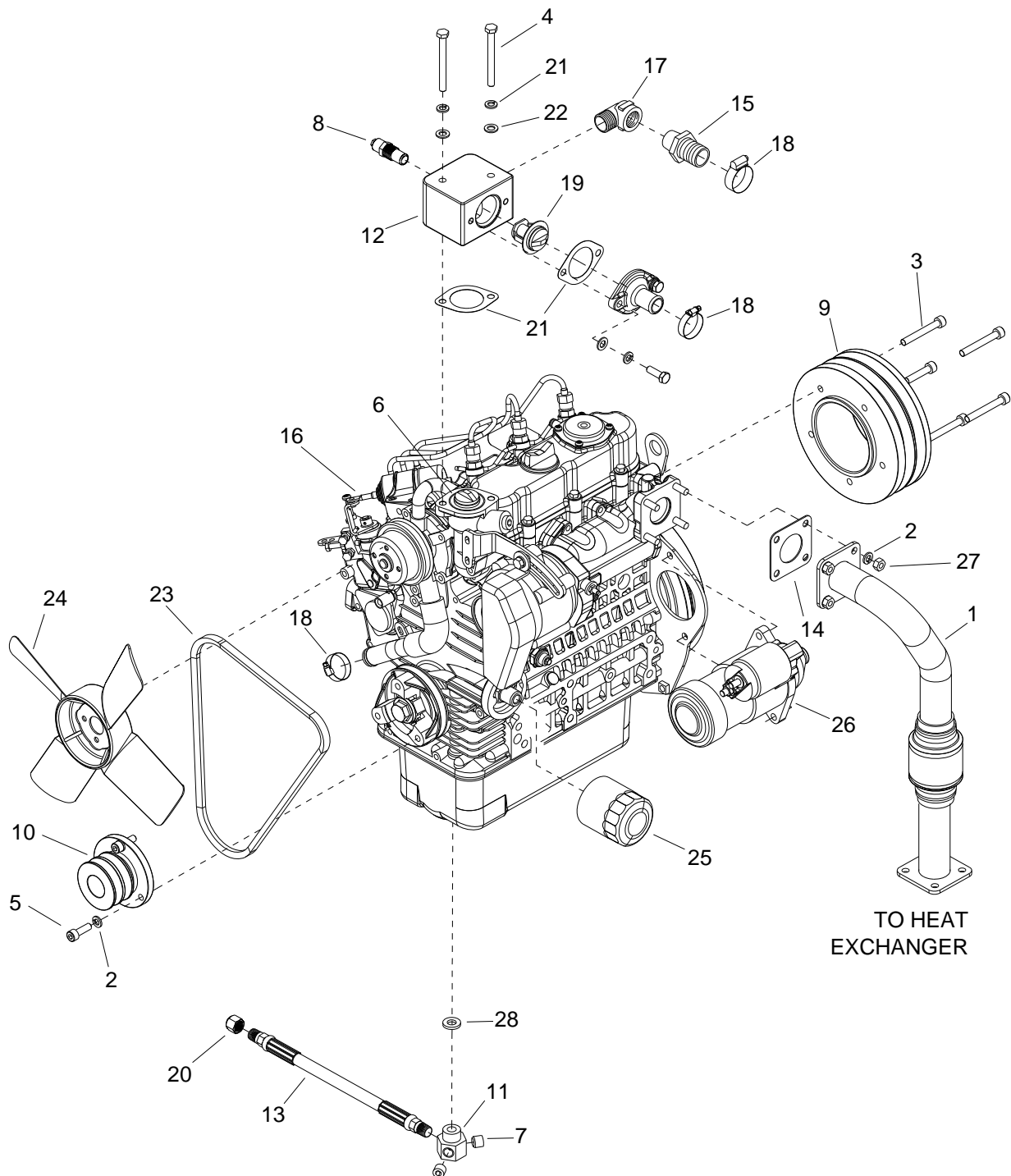
Control Panel Mounting



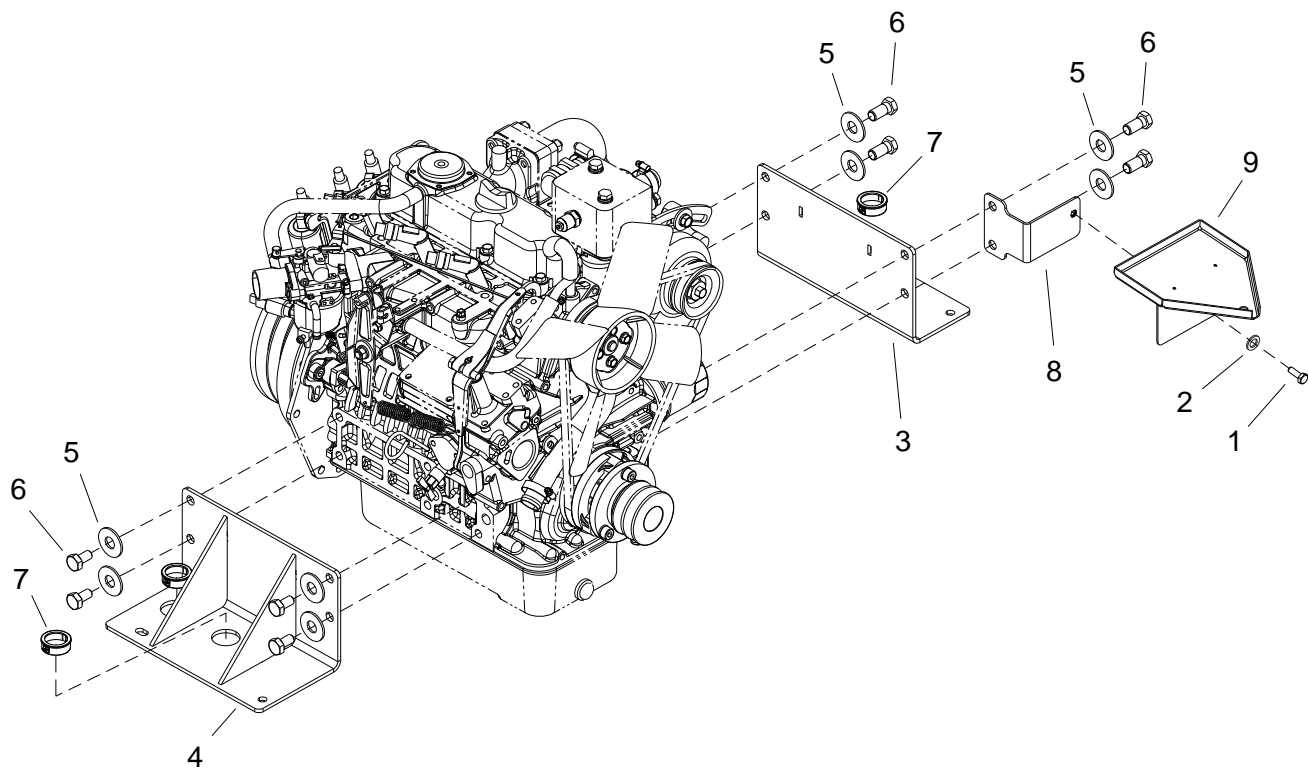
REF	PART NO.	QTY	DESCRIPTION	SERIAL NO. FROM	NOTES
1	86273180	4	SCR, 1/4-20 X 1" HXHD GRD8		
2	86270330	4	FLATWASHER, 1/4		
3	86189050	4	NUT, WELL 1/4-20 HD		



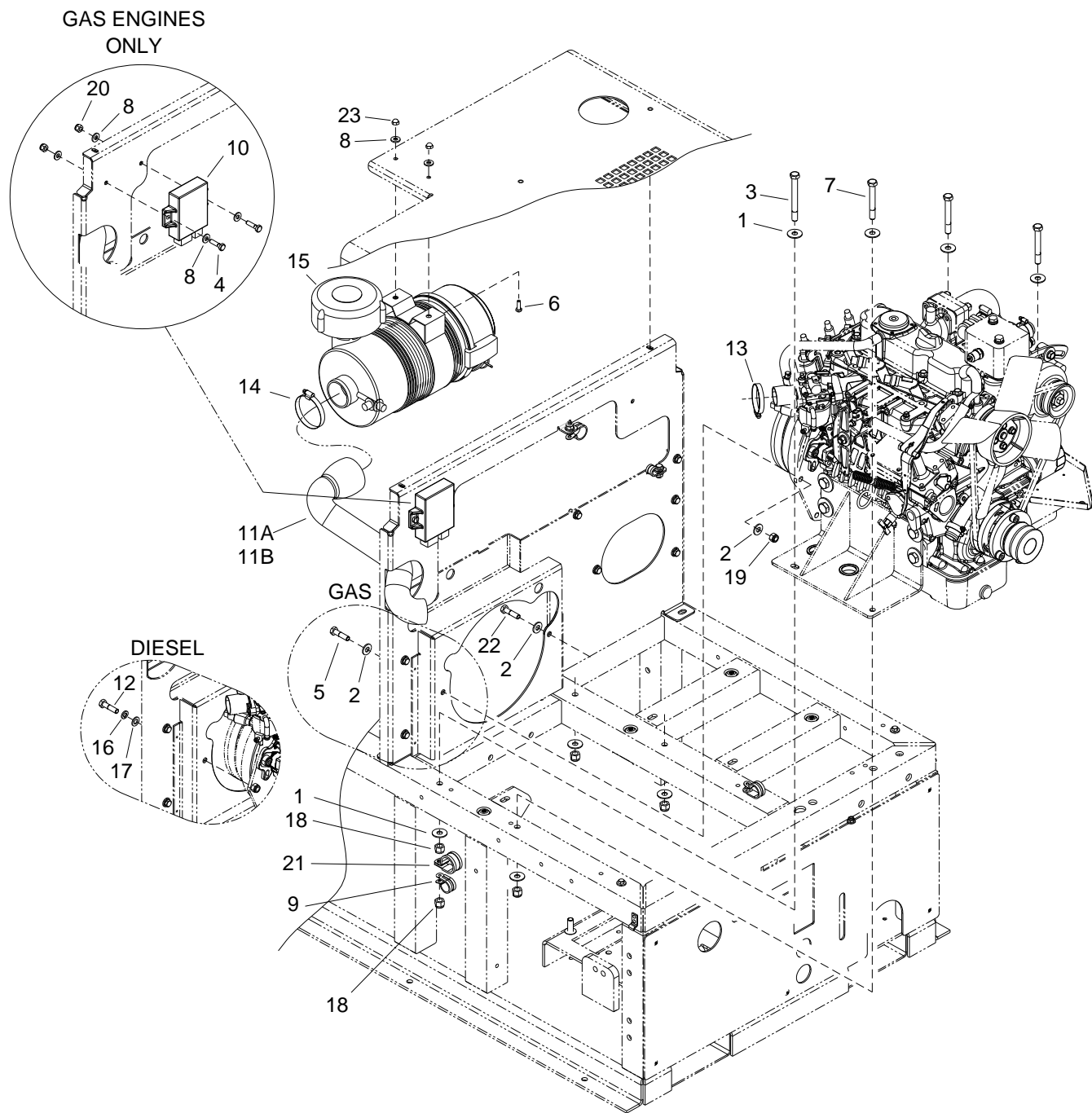
REF	PART NO.	QTY	DESCRIPTION	SERIAL NO. FROM	NOTES
1	86279130	9	WASHER, 5/16 SPLIT		
2	86277310	5	SCR, M8-1.25 X 60MM SHCS PLTD		
3	86274830	2	SCR, M8 X 80 HHCS PLTD		
4	86273700	3	SCR, M8 X 25MM SHCS SS		
5	86192510	1	SENS. TEMP 240 DEG (AIRPAX)		
6	86191310	1	PULLEY, REAR KUBOTA WG972		
7	86191300	1	PULLEY, FRONT, KUBOTA WG972		
8	86190550	1	PLUG, 1/2T		
9	86187780	1	MNFLD, THERM ADAPTER		
10	86183640	1	HOS,HP 3/8x13"(1/2FT BS)		
11	86182290	2	GSKT, EXH, KUB, D902/WG972		
12	86181420	1	FTTG, BRB 3/4"P x 1"H BR		
13	86342360	1	ENG, KUBOTA, WG972 W/CAT		
14	86180260	1	ELL, 3/4 ST BR		
15	86179910	1	EL, BR, 1/4MNPT X 1/2MJIC		
16	86177310	3	CLMP, HOSE #16 1-1/2 MIN 1-3/4		
17	86182750	2	GSKT, THERM OUT, KU.WG972		
18	86173630	1	ADPTR, M12 - 1.25 X 1/4FNPT		
19	86364000	1	SPACER, EXHAUST, KUBOTA		
20	86137280	2	WASHER, M8		
21	86359340	1	CONV, CAT, KUBOTA WG972		
22	86194340	1	THERM, 180DEG, KUBOTA		
23	86180880	1	FAN, ENG, KUB		
24	86175210	1	BELT, FAN, KUBOTA		
25	86185770	1	KBT FLTR,OIL#70000-15241		
26	86193330	1	START, ENG, WG972, KUB		
27	86136280	4	NUT, M8 HEX		
28	86318100	1	THERMOSTAT, 205 DEGREE AEGIS		
-	86190780	-	PUMP, WATER, KUBOTA WG972		
-	86193290	-	SPARK PLUG, KUBOTA WG972		
-	86265440	-	OIL, 10W30WT DET (QT)		
-	86193860	-	SENSOR, OIL PRESS, KUBOTA WG972		
-	86187790	-	MANUAL, OPERATION KUBOTA WG972		



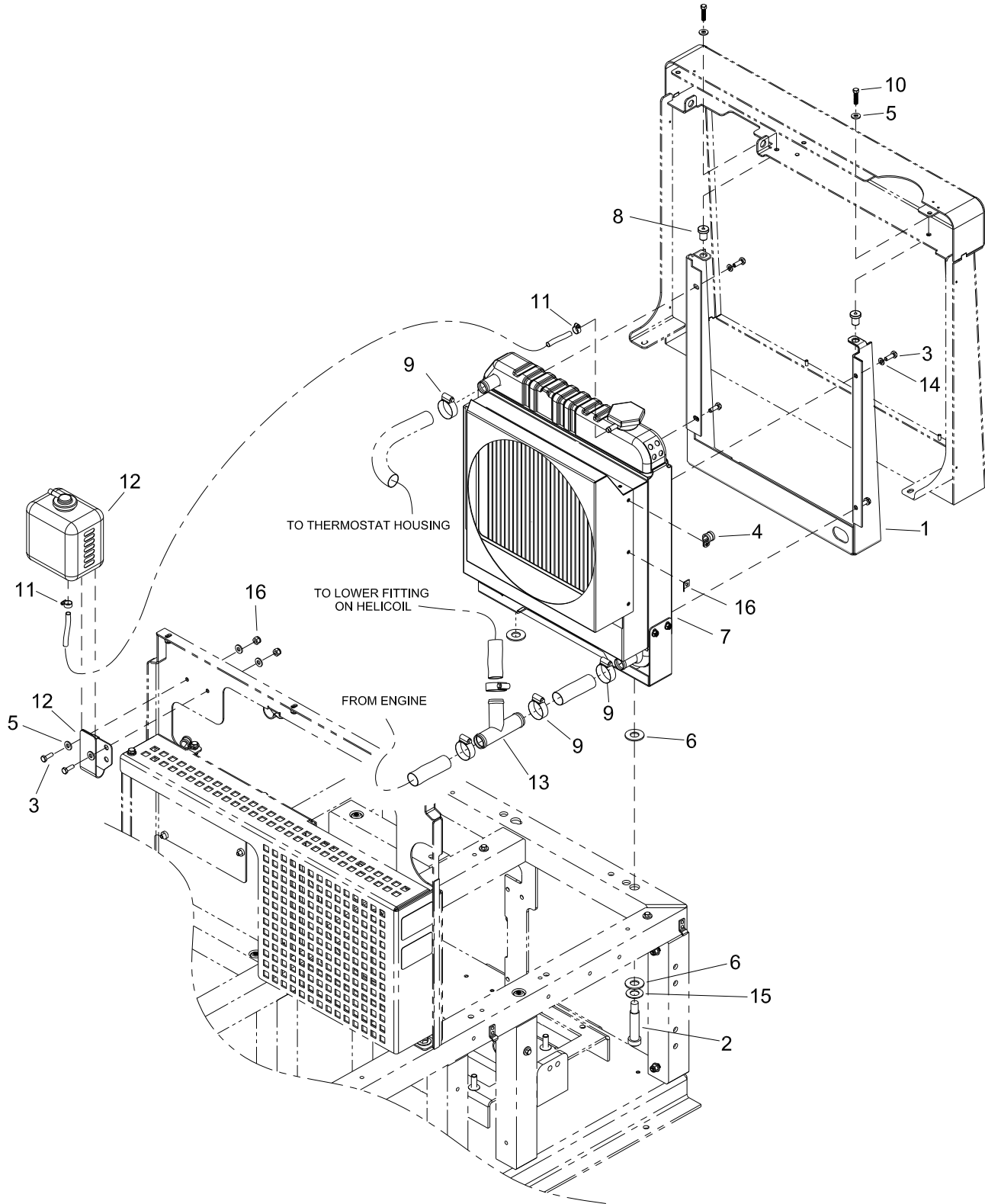
REF	PART NO.	QTY	DESCRIPTION	SERIAL NO. FROM	NOTES
1	86341380	1	TUBE, EXHAUST, AGT		
2	86279130	9	WASHER, 5/16 SPLIT		
3	86277310	5	SCR, M8-1.25 X 60MM SHCS PLTD		
4	86274830	2	SCR, M8 X 80 HHCS PLTD		
5	86273700	3	SCR, M8 X 25MM SHCS SS		
6	86194340	1	THERM, 180DEG, KUBOTA		
7	86272720	2	PLG, 1/4 SOCHD BRASS		
8	86192510	1	SENS. TEMP 240 DEG (AIRPAX)		
9	86191310	1	PULLEY, REAR KUBOTA WG972		
10	86191300	1	PULLEY, FRONT, KUBOTA WG972		
11	86190590	1	PLUG, OIL DRAIN, DIESEL		
12	86187780	1	MNFLD, THERM ADAPTER		
13	86184020	1	HOSE, HP 1/4 X 12 (1/4P X 1/4P)		
14	86182290	1	GSKT, EXH, KUB, D902/WG972		
15	86181420	1	FTTG, BRB 3/4"P x 1"H BR		
16	86180800	1	ENG, KUBOTA, D902		
17	86180260	1	ELL, 3/4 ST BR		
18	86177310	3	CLMP, HOSE #16 1-1/2 MIN 1-3/4		
19	86318100	1	THERMOSTAT, 205 DEGREE AEGIS		
20	86176610	1	CAP, 1/4" FPT BRASS		
21	86182750	2	GSKT, THERM OUT, KU.WG972		
22	86137280	2	WASHER, M8		
23	86175210	1	BELT, ENGINE KUBOTA D902		
24	86180880	1	FAN, ENGINE KUBOTA WG972		
25	86185770	1	FILTER, OIL KUBOTA		
26	86193340	1	START, ENG, D902 KUB		
27	86136280	4	NUT, M8 HEX		
28	86343490	1	GSKT, .882ID X 1.095OD X .06THK, COPPER		
-	86190780	-	PUMP, WATER, KUBOTA		
-	86182020	-	GLOW PLUG, D902 KUB		
-	86189120	-	OIL, CRANKCASE DIESEL		
-	86187290	-	MANUAL, OPERATION KUBOTA D902		
-	86192910	-	SOLENOID, ENG D902 KUB		
-	86278120	1	SHIM, THROTTLE STOP		
-	86193400	1	STOP, THROTTLE		
-	86187290	1	MANUAL, OPERATION D902 KUBOTA		



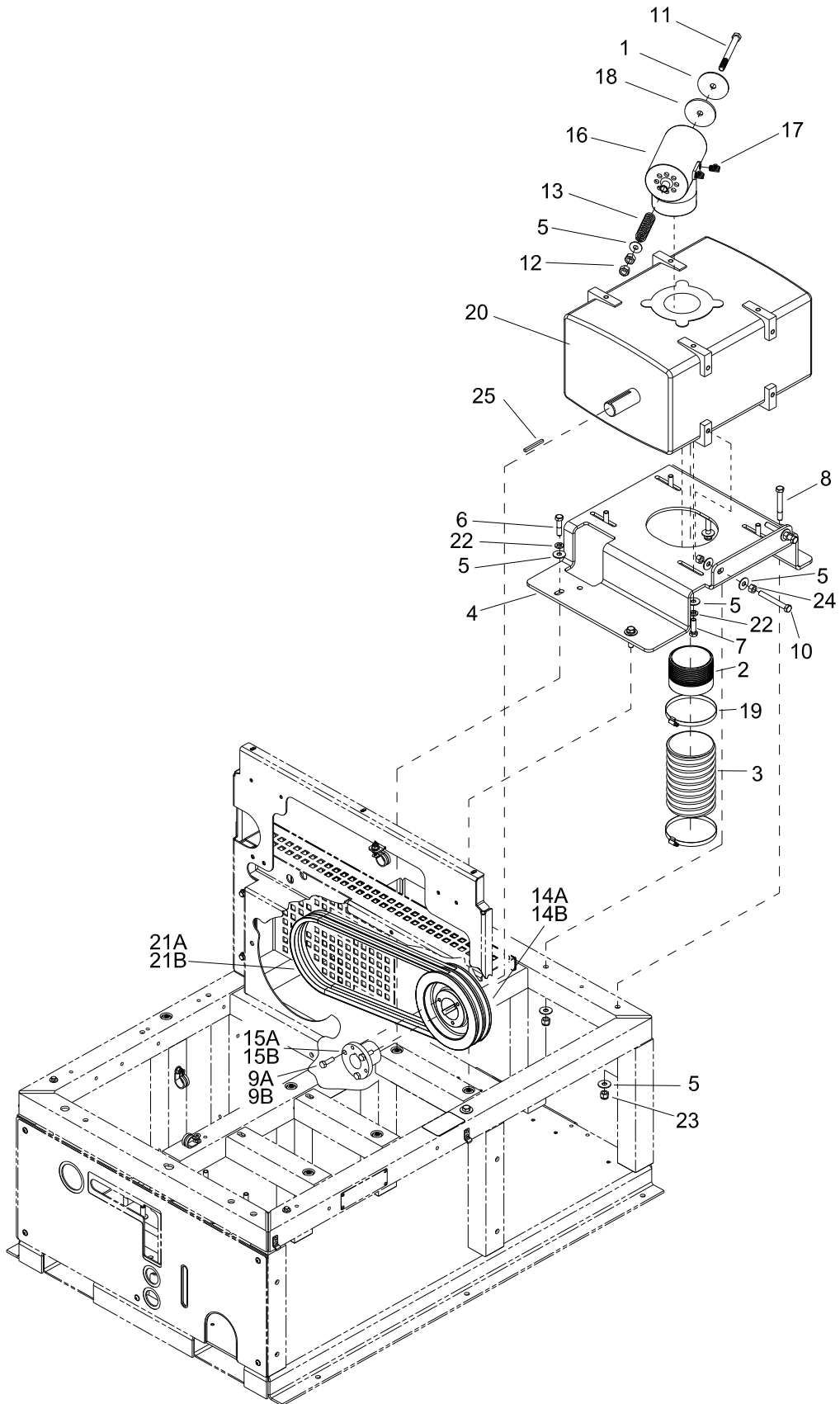
REF	PART NO.	QTY	DESCRIPTION	SERIAL NO. FROM	NOTES
1	86274750	1	SCR, 1/4-20 X 3/4 HHCS		
2	86010780	1	WASHER, 1/4 SPLIT		
3	86046140	1	BRKT, RIGHT ENG MTG		
4	86046130	1	BRKT, LEFT ENG MTG		
5	86010720	8	WASHER, M10 X 30 PLTD		
6	86175450	8	BOLT, M10-1.50X20,CLASS 8.8		
7	86176050	3	BUSH, HEYCO, 1" ID		
8	86051630	1	PLT, OIL DRAIN MTG		
9	86046000	1	BRKT,OIL DRAIN		



REF	PART NO.	QTY	DESCRIPTION	SERIAL NO. FROM	NOTES
1	86279510	8	WASHER, 3/8 FLAT		
2	86278830	4	WASHER, 5/16 FLAT PLTD		
3	86277770	1	SCR, 3/8-16 X 4.00 ALL THD		
4	86275570	2	SCR, 1/4-20 X 1.00 HHCS GR5		GAS
5	86274910	1	SCR, 5/16-18 X 1.25 HHCS GR5		
6	86273830	2	SCR, 1/4-20 X 1/2 HHCS SS NP		
7	86274000	3	SCR, 3/8-16 X 3 HHCS GR5		
8	86270330	5	FLATWASHER, 1/4		
9	86233410	1	CLAMP, 3/4 DIA CUSHION .406 DIA		
10	86185600	1	IGNITOR, WG972 ENG, KUB		GAS
11A	86185050	1	HOSE, AIR FILTER		GAS
11B	86185060	1	HOSE, AIR INTAKE KUBOTA DIESEL		DIESEL
12	86136640	1	SCR, M8 X 20 HHMS		DIESEL
13	86177250	1	CLMP,HOS#24 1-1/16MIN 2		
14	86177220	1	CLMP, HOS#32 1.5625/2.5, SST		
15	86173910	1	ASMBLY,FLTR,AIR,2-FW-E1P		
16	86279130	1	WASHER, 5/16 SPLIT		DIESEL
17	86137280	1	WASHER, M8		DIESEL
18	86005770	6	NUT, 3/8-16 HEX NYLOCK		
19	86005750	2	NUT, 5/16-18 HEX NYLOCK		
20	86005680	2	NUT, 1/4-20 HEX NYLOCK		
21	86177430	1	CLMP, 1-1/16 ID X 3/8 BLT		
22	86274690	1	SCR, 5/16-18 X 1.5 HHCS GR5PLT		
23	86271940	2	NUT, 1/4-20 ACORN SS		
-	86177390	1	CLMP, F.I., SAE 12, 1/4" HOSE		DIESEL
-	86177400	1	CLMP, F.I., SAE 14, 5/16" HOSE		
-	86181190	1	FLT, AIR, ELMNT, ZEEMS		AIRR FILTER

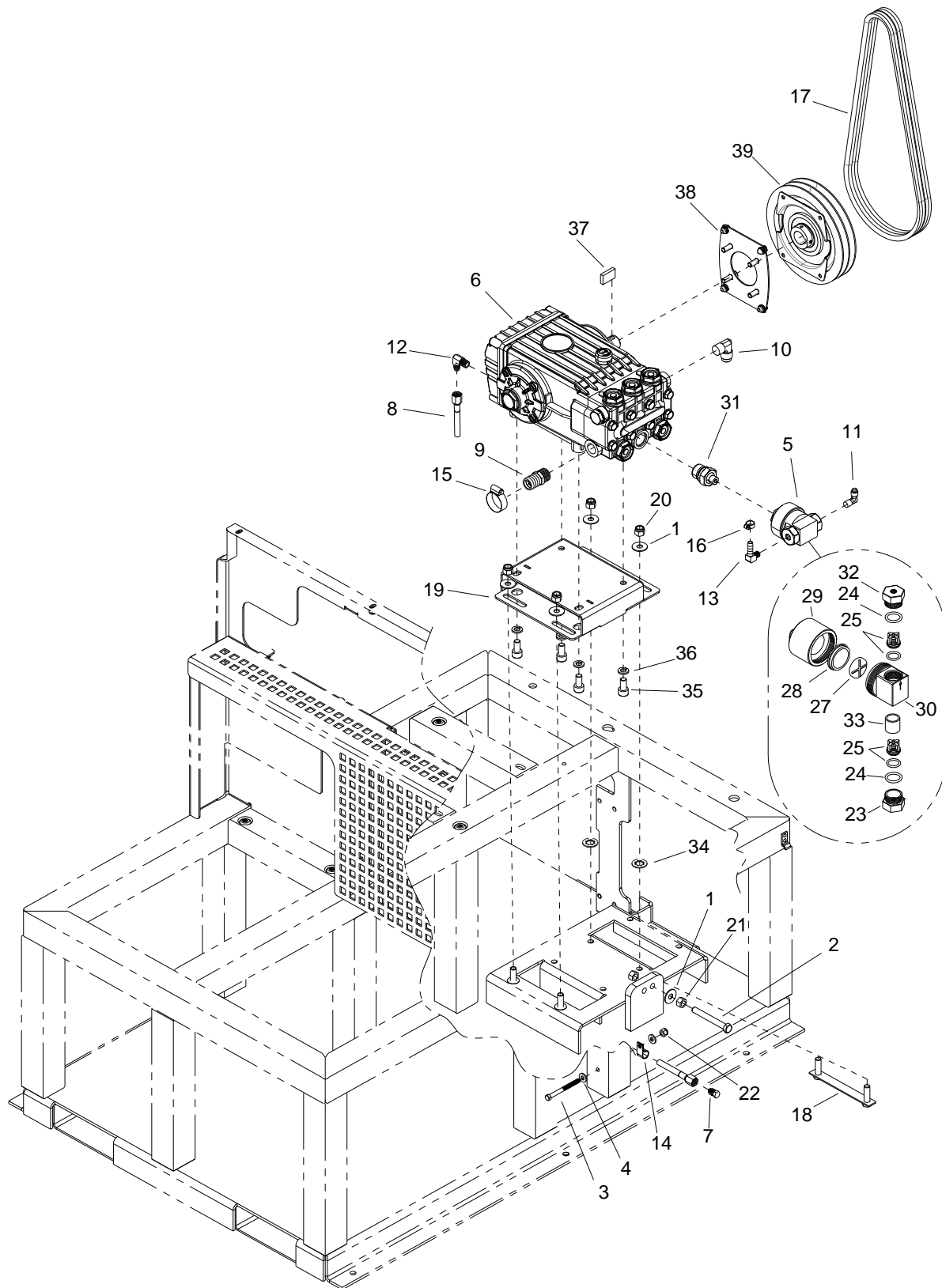


REF	PART NO.	QTY	DESCRIPTION	SERIAL NO. FROM	NOTES
1	86334370	1	PNL, FRONT RAD CLOSEOUT		
2	86278380	2	SHOULDER BOLT, 5/8 OD X 2.25 L		
3	86274750	6	SCR, 1/4-20 X 3/4 HHCS		
4	86177090	1	CLAMP, CABLE 1/2I.D. 1/4BLT		GAS
5	86270330	6	FLATWASHER, 1/4		
6	86195590	4	WASHER, RUBBER, .093 THK		
7	86191530	1	RADIATOR, KUBOTA W/SHROUD		
8	86189050	2	NUT, WELL 1/4-20 HD		
9	86177310	5	CLMP, HOSE #16 1-1/2 MIN 1-3/4		
10	86273180	2	SCR, 1/4-20 X 1" HXHD GRD8		
11	86176990	2	CLAMP, HOSE #4 SST		
12	86175820	1	KBT, BLT, OVRFL #19059-70		
13	86173590	1	ADAPTER, 'Y' COOLANT		
14	86010780	4	WASHER, 1/4 SPLIT		
15	86010730	2	WASHER, 5/8 X 1-3/16 FLAT SS		
16	86046200	1	BRKT, THROTTLE SPRING DIESEL		DIESEL



REF	PART NO.	QTY	DESCRIPTION	SERIAL NO. FROM	NOTES
1	86350410	1	WASHER, VAC REL VLV, 408 VAC		
2	86340090	1	NIP, VAC EXH OUTL, 408		
3	86353020	1	HOSE, FLEX, BLWR TO MFLR, 408		
4	86337090	1	BRKT, BLOWER MTG, AGT		
5	86279510	19	WASHER, 3/8 X 1 FLAT NP		
6	86274660	2	SCR, 3/8-16 X 1.5 HHCS GR5 PLT		
7	86275190	4	SCR, 3/8-16 X 1.25 HHCS SS		
8	86274000	2	SCR, 3/8-16 X 3 HHCS GR5		
9A	86273440	3	SCR, MACH 5/16-18 X 1" GR8		GAS
9B	86277750	3	SCR, 3/8-16 X 1.25 HHMS GR8 PL		DIESEL
10	86273420	2	SCR,CAP 3/8-16X3 ALL THD		
11	86273320	1	SCR, CAP 7/16-14X4 HXHD		
12	86271070	2	NUT, 7/16-14 HEX		
13	86193230	1	SPRING, VAC REL VLV		
14A	86191320	1	PULLEY, 2TB64		GAS
14B	86191110	1	PULL, 2TB74 PERF 805		DIESEL
15A	86185390	1	HUB, P1 X 1-1/4		GAS
15B	86185410	1	HUB, Q1 X 1-1/4		DIESEL
16	86180610	1	ELL, VAC REL VLV		
17	86180370	2	ELL, 1/8P X 1/4 POLY BR		
18	86179590	1	DIAPHRAGM, VAC REL VLV		
19	86177070	2	CLAMP, HOSE #60 3.3125/4.5, SST		
20	86175390	1	BLWR, TRI-FLOW, 4L TI 408		
21A	86361480	2	BELT, BANDO HDPF 5480		GAS
21B	86361490	2	BELT, BANDO HDPF 5500		DIESEL
22	86010790	10	WASHER, 3/8 SPLIT		
23	86005770	2	NUT, 3/8-16 HEX NYLOCK		
24	86005730	4	NUT, 3/8-16 HEX		
25	86049230	1	KEY, 1/4 SQ X 1.88		
-	86269820	1	MANUAL, INSTR, 4M TRIFLOW BLWR (GD)		NOT SHOWN
-	86368270	1	VENT PLUG, 3/8" NPT, 5L359		NOT SHOWN
-	86189090	.1	OIL, AEON PD-XD (28G47SUTORBILT)		NOT SHOWN

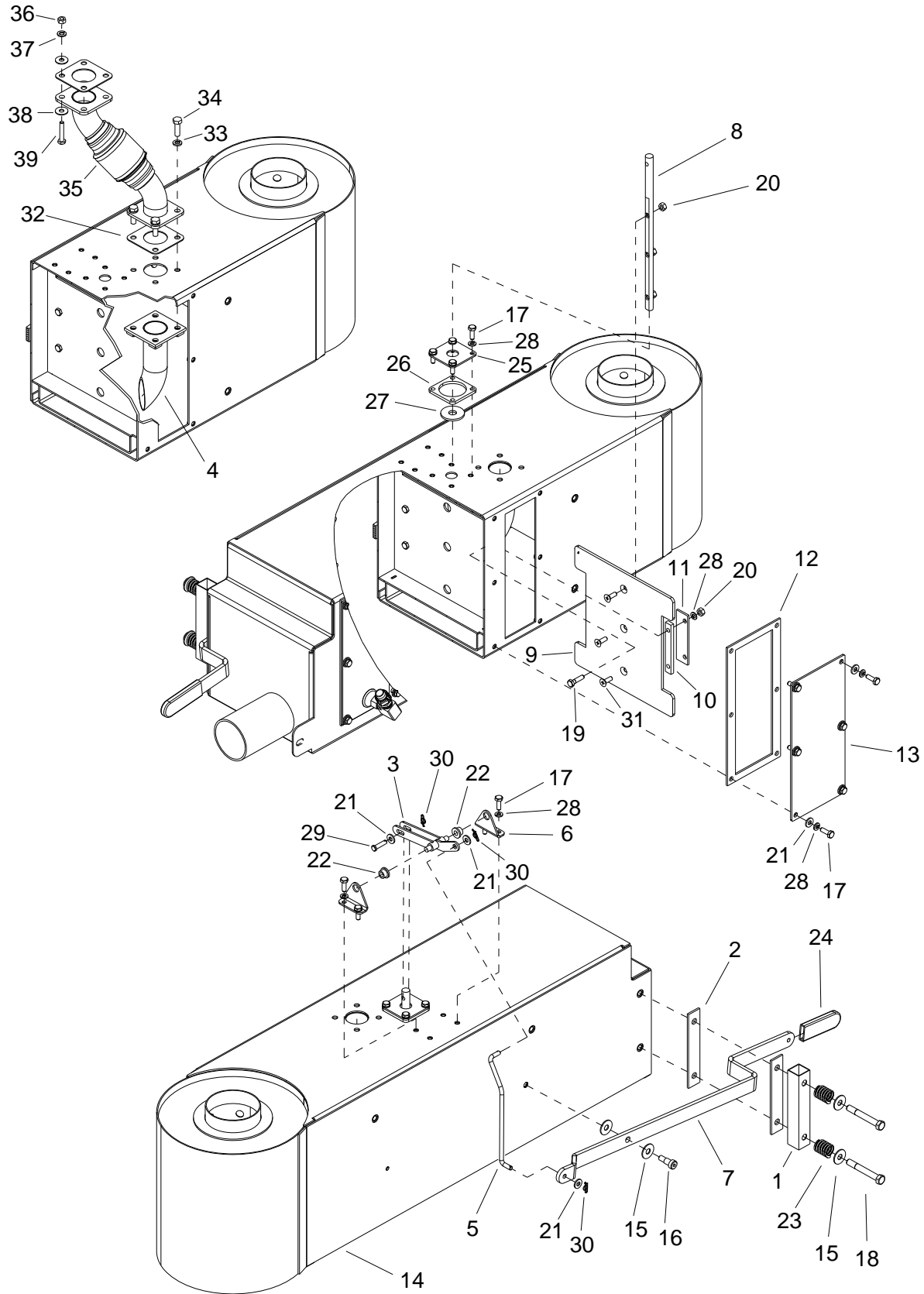
* SEE SERIAL NUMBER PAGE



REF	PART NO.	QTY	DESCRIPTION	SERIAL NO. FROM	NOTES
1	86279510	5	WASHER, 3/8 X 1 FLAT NP		
2	86273420	1	SCR,CAP 3/8-16X3 ALL THD		
3	86273330	1	SCR, CAP 1/4-20 X 2.75 HXHD		
4	86270330	2	FLATWASHER, 1/4		
5	86191440	1	PUMP, CHEM, PULSE, GP		
6	86191400	1	PUMP,ASSY, GEN, 4.5GPM, APEX		
7	86190540	1	PLUG, 1/4T BR		
8	86184550	1	HOSE, 3/16 X 20-1/2		
9	86181370	1	FTTG, BRB 1/2P x 3/4H BR		
10	86180410	1	ELL,3/8Px1/2T BR		
11	86180360	1	ELL, 1/8P X 1/4T BR		
12	86180340	1	ELL, 1/4P X 1/4T BR		
13	86179920	1	EL, 90DEG 1/8 X 5/16HB		
14	86177210	1	CLMP, CABL 7/16ID 1/4BLT		
15	86177310	1	CLMP, HOSE #16 1-1/2 MIN 1-3/4		
16	86176990	1	CLAMP, HOSE #4 SST		
17	86371990	2	BELT,BANDO AX38 PWR KING COG		
18	86057150	2	STRAP, WTR PMP HOLDDOWN		
19	86046150	1	BRKT, WTR PMP MTG		
20	86005770	4	NUT, 3/8-16 HEX NYLOCK		
21	86005730	2	NUT, 3/8-16 HEX		
22	86005680	1	NUT, 1/4-20 HEX NYLOCK		
23	86195100	1	VALVE CAP, 303 SST, INLET		
24	86189290	2	O-RING, DURO,.862ID X .103CS		
25	86195110	2	VALVE KIT, ASM, CHEM, PULSE PUMP		
26	86173440	1	O-RING, 1-5/8OD X 1-3/4 OD/40D VITON		
27	86249220	1	PLASTIC DISC		REPLACE TOGETHER
28	86179500	1	DIAPHRAGM, CHEM PUMP		
29	86194630	1	PULSE PUMP, TOP COVER INLET		
30	86191340	1	PULSE PUMP, BODY		
31	86173620	1	ADAPTR, PULSE PMP, GEN PUMP		
32	86195120	1	VALVE CAP, 303 SST, OUTPUT		
33	86192920	1	SPACER CAP, 303 SST, OUTPUT		
34	86271970	4	NUT, 3/8 PUSH PLATE		
35	86277300	4	SCR, M10-1.5 X 20MM SHCS PLTD		
36	86279500	4	WASHER, M10 SPLIT		
37	86350880	1	KEY, GP (INTERPUMP) CLUTCH		
38	86350920	1	ADAPTER, CLUTCH		
39	86350890	1	CLUTCH, HTS2215S & HTS2016S		
-	86282770	1	LOOM, 1/4 HI TMP X 10		WIRE COVER
-	86265780	1	CONN, BULLET M (.156)		NOT SHOWN

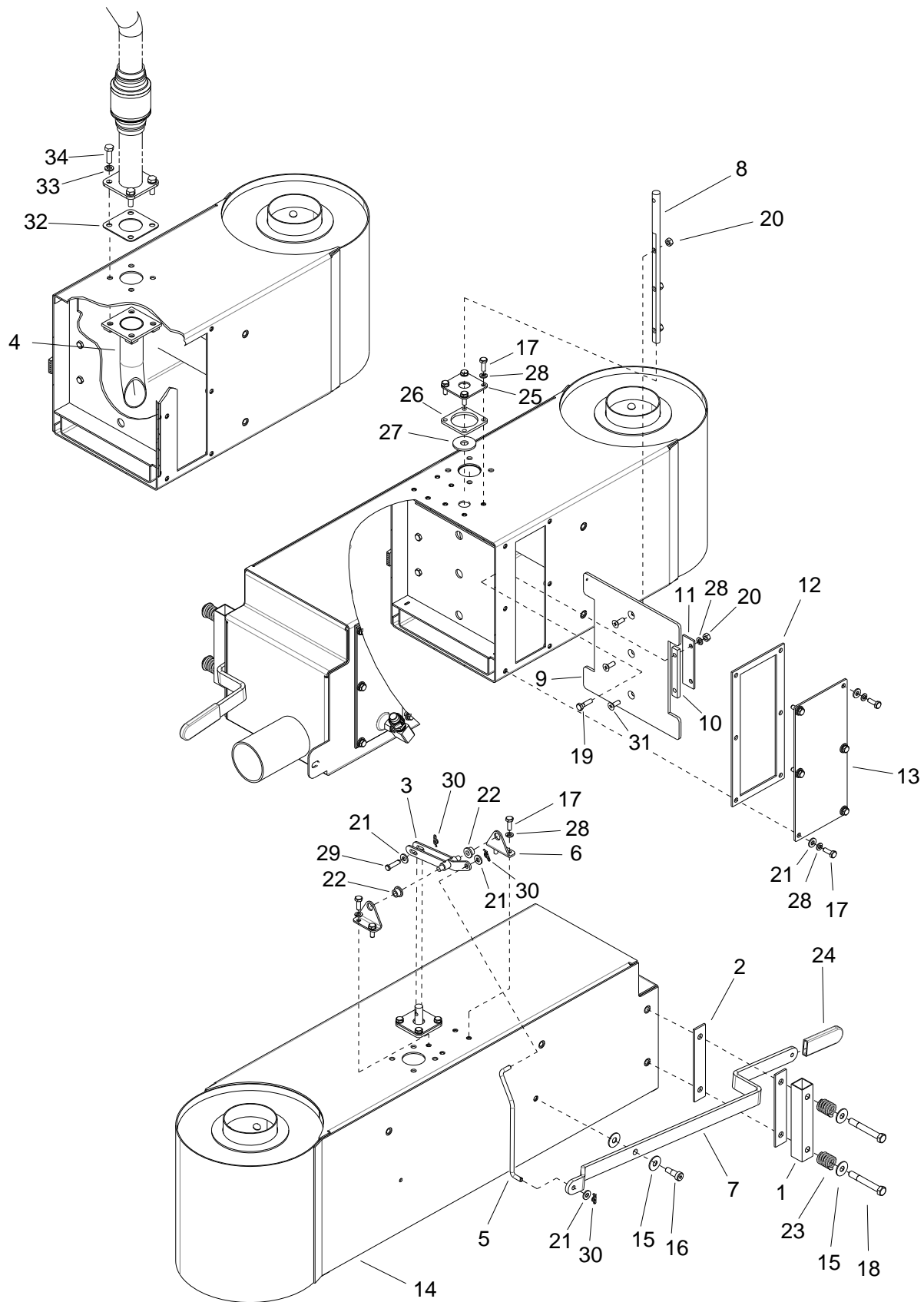
REF	PART NO.	QTY	DESCRIPTION	SERIAL NO. FROM	NOTES:
1	86186230	1	KIT, MAINT, PLUNGER		
2	86186220	1	KIT, SEALS CRANKCASE		
3	86297540	1	KIT, PLUNGER SEALS, 20MM GP		
4	86186250	6	KIT, CHK VALVE, GEN PMP, 6PC		
5	86189320	6	O-RING, CAP, GEN PMP		
6	86297550	3	PLUNGER, 20MM GP		
7	86014890	3	O-RING, PLUNGER SEAL GP		
8	86297560	3	SEAL RETAINER, 20MM GP		
9	86297570	3	RING, INTERMEDIATE, 20MM GP		
10	86300440	1	DIPSTICK, VENTED GP		
11	86361310	3	OIL SEAL, GP PUMP HTS, PLUNGER ROD		
12	86361320	1	O-RING, GP PUMP HTS SIGHT		
13	86361330	1	O-RING, GP PUMP HTS CRANKCASE		
-	86189110	-	OIL, GEN PUMP, SERIES 100		

Heat Exchanger - Exhaust - Gas

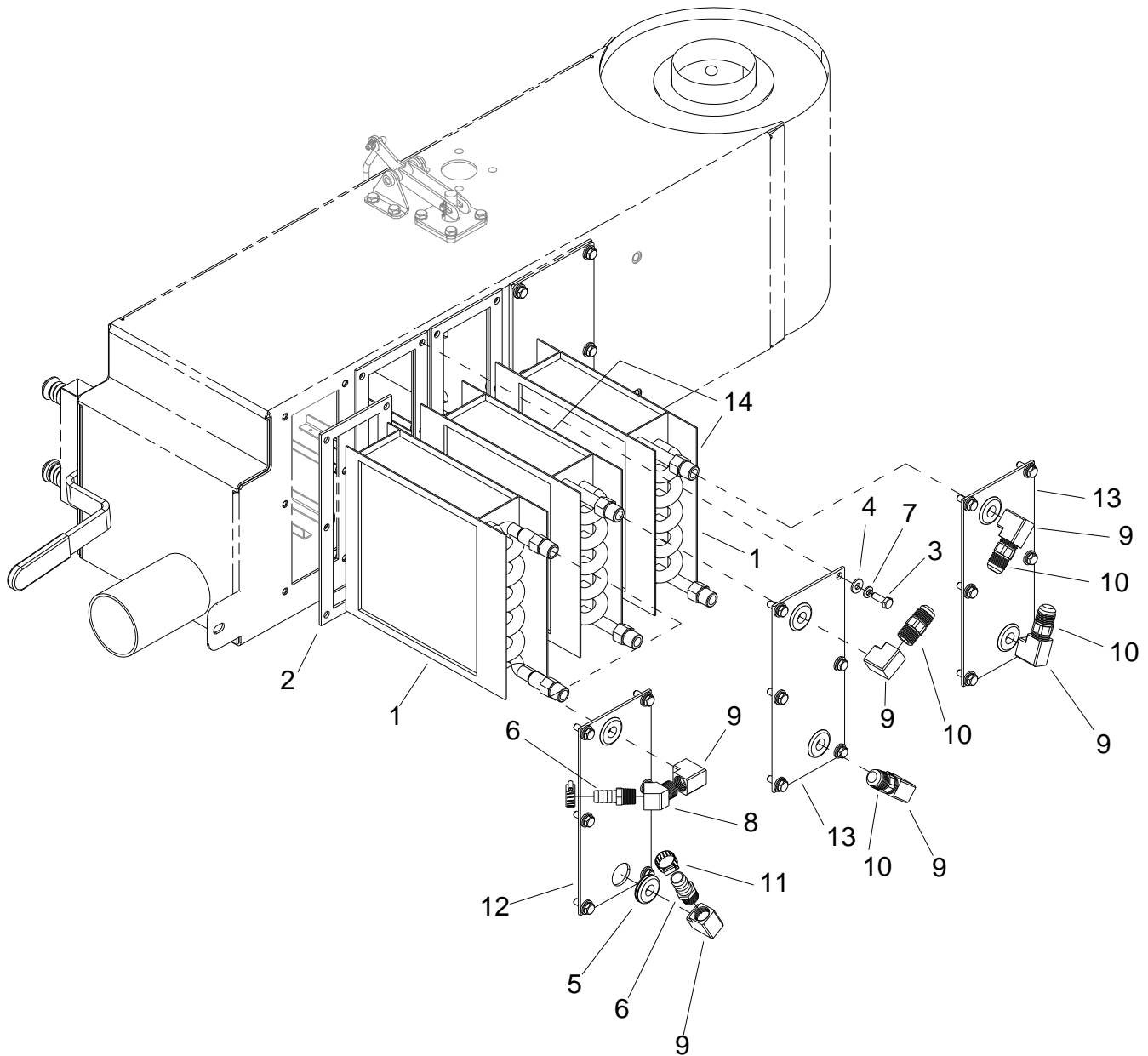


REF	PART NO.	QTY	DESCRIPTION	SERIAL NO. FROM	NOTES
1	86348240	1	TUBE, HT EXCH LEVER BRACE, AGT		
2	86348230	2	GLIDE, HT EXCH LEVER, AGT		
3	86342900	1	LEVER, HEAT ADJUSTING		
4	86341350	1	TUBE, EXHAUST, HE INNER		
5	86339080	1	ROD, LINKAGE		
6	86339070	2	BRKT, PIVOT ARM MTG		
7	86339040	1	LEVER, HE BYPASS		
8	86339030	1	ROD, HE BYPASS DOOR		
9	86339020	1	DOOR, HE BYPASS		
10	86339010	2	SPACER, HE BYPASS DOOR		
11	86339000	2	GLIDE, HE BYPASS DOOR		
12	86338990	1	GASKET, HE ACCESS COVER		
13	86338980	1	PLT, HE ACCESS COVER		
14	86342380	1	HSG, VAC HE BOX, AGT W/CAT		
15	86279510	4	WASHER, 3/8 X 1 FLAT NP		
16	86278180	1	SCR, 3/8 X 1/2 SSHLD		
17	86274750	14	SCR, 1/4-20 X 3/4 HHCS		
18	86274000	2	SCR, 3/8-16 X 3 HHCS GR5		
19	86273810	4	SCR, 1/4-20 X 1.00 HHCS SS		
20	86270770	7	NUT, 1/4-20 HEX		
21	86270330	9	FLATWASHER, 1/4		
22	86228990	2	BEARING FLG .314IDX.502OD		
23	86193280	2	SPRING, COMP .7ID X 1.0L X .12W		
24	86410160	1	GRIP, ADJUSTING LEVER, YLW		
25	86011860	1	PLT, DOOR ROD COVER		
26	86011850	1	SPACER, DOOR ROD GASKET		
27	86011840	1	GASKET, DOOR ROD		
28	86010780	18	WASHER, 1/4 SPLIT		
29	86008690	1	PIN, CLEVIS		
30	86008650	3	COTTER, 1/4 RING		
31	86006670	3	SCR, 1/4-20 X 3/4 FHCS		
32	86182290	2	GSKT, EXH, KUB, D902/WG972		
33	86279130	4	WASHER, 5/16 SPLIT		
34	86273440	4	SCR, MACH 5/16-18 X 1" GR8		
35	86341400	1	TUBE, CAT EXHAUST, AGT		
36	86005650	4	NUT 5/16-18 HEX		
37	86279130	4	WASHER 5/16 SPLIT LOCK PLTD		
38	86278830	8	WASHER, 5/16 FLAT PLTD		
39	86274910	4	SCR, 5/16-18 X 1.25HHCS GR5PLT		

Heat Exchanger - Exhaust - Diesel

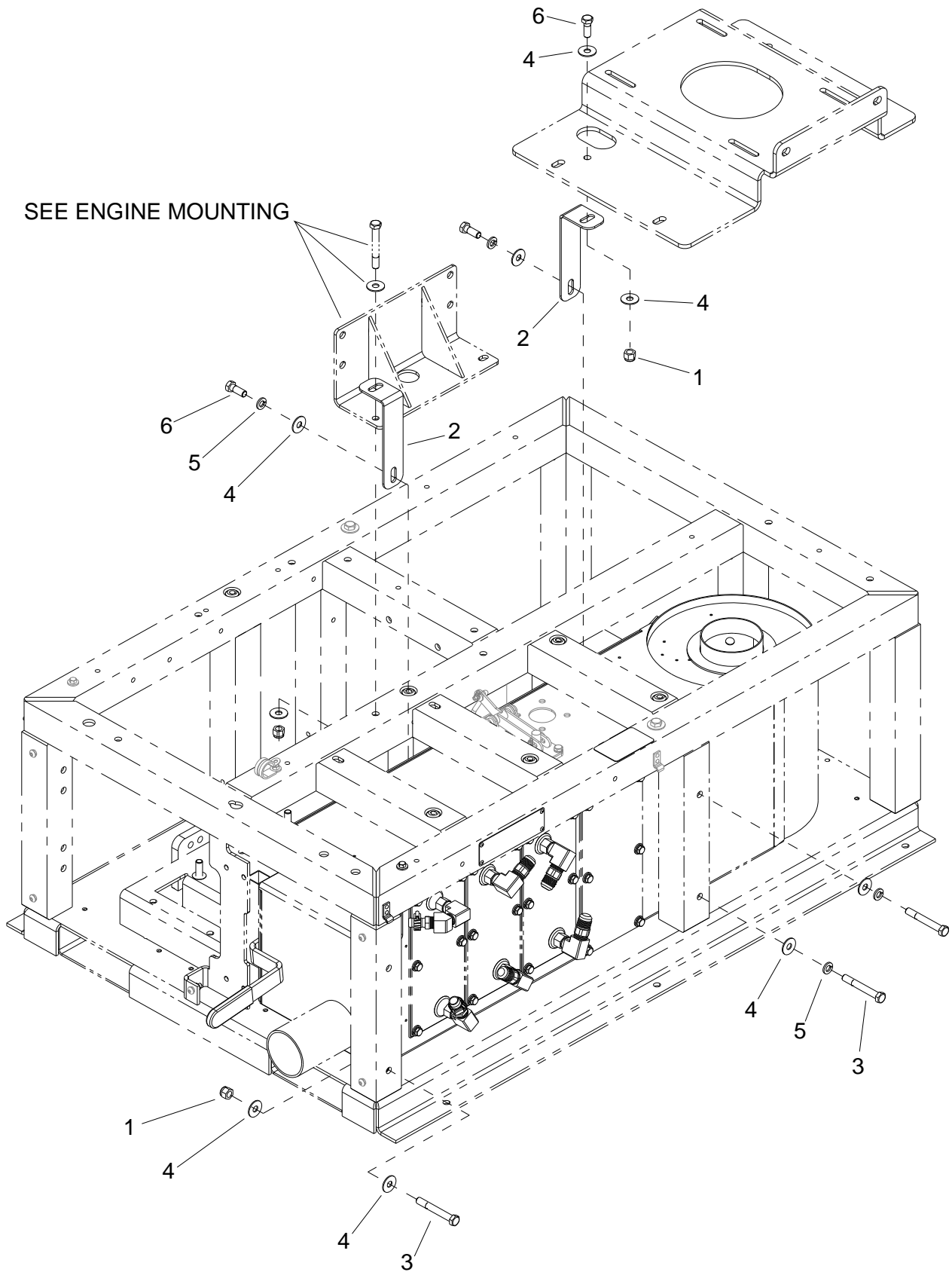


REF	PART NO.	QTY	DESCRIPTION	SERIAL NO. FROM	NOTES
1	86348240	1	TUBE, HT EXCH LEVER BRACE, AGT		
2	86348230	2	GLIDE, HT EXCH LEVER, AGT		
3	86342900	1	LEVER, HEAT ADJUSTING		
4	86341350	1	TUBE, EXHAUST, HE INNER		
5	86339080	1	ROD, LINKAGE		
6	86339070	2	BRKT, PIVOT ARM MTG		
7	86339040	1	LEVER, HE BYPASS		
8	86339030	1	ROD, HE BYPASS DOOR		
9	86339020	1	DOOR, HE BYPASS		
10	86339010	2	SPACER, HE BYPASS DOOR		
11	86339000	2	GLIDE, HE BYPASS DOOR		
12	86338990	1	GASKET, HE ACCESS COVER		
13	86338980	1	PLT, HE ACCESS COVER		
14	86338820	1	HSG, VAC HE BOX, AGT		
15	86279510	4	WASHER, 3/8 X 1 FLAT NP		
16	86278180	1	SCR, 3/8 X 1/2 SSHLD		
17	86274750	14	SCR, 1/4-20 X 3/4 HHCS		
18	86274000	2	SCR, 3/8-16 X 3 HHCS GR5		
19	86273810	4	SCR, 1/4-20 X 1.00 HHCS SS		
20	86270770	7	NUT, 1/4-20 HEX		
21	86270330	9	FLATWASHER, 1/4		
22	86228990	2	BEARING FLG .314IDX.502OD		
23	86193280	2	SPRING, COMP .7ID X 1.0L X .12W		
24	86410160	1	GRIP, ADJUSTING LEVER, YLW		
25	86011860	1	PLT, DOOR ROD COVER		
26	86011850	1	SPACER, DOOR ROD GASKET		
27	86011840	1	GASKET, DOOR ROD		
28	86010780	18	WASHER, 1/4 SPLIT		
29	86008690	1	PIN, CLEVIS		
30	86008650	3	COTTER, 1/4 RING		
31	86006670	3	SCR, 1/4-20 X 3/4 FHCS		
32	86182290	1	GSKT, EXH, KUB, D902/WG972		
33	86279130	4	WASHER, 5/16 SPLIT		
34	86273440	4	SCR, MACH 5/16-18 X 1" GR8		

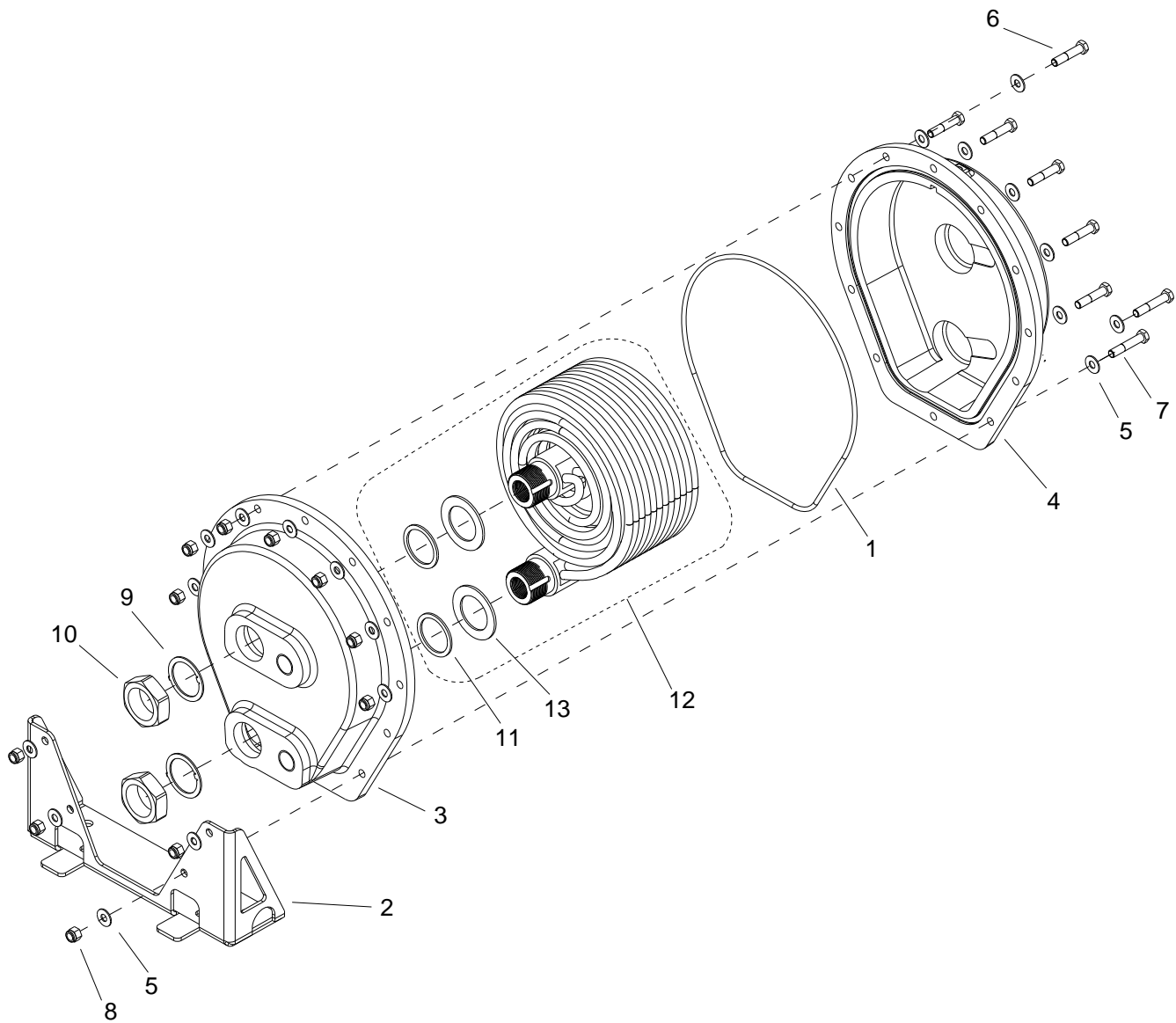


REF	PART NO.	QTY	DESCRIPTION	SERIAL NO. FROM	NOTES
1	86318840	1	ASSY, HEATER CORE COPPER, GT		
2	86313690	3	GASKET, HEATER CORE COVER		
3	86274750	18	SCR, 1/4-20 X 3/4 HHCS		
4	86270330	18	FLATWASHER, 1/4		
5	86182190	6	GROM, 1/2 ID X 1-1/8 OD		
6	86181400	2	FTTG, BRB 3/8P x 5/8H BR		
7	86010780	18	WASHER, 1/4 SPLIT		
8	86180240	1	ELL, ST 3/8 45DEG BR		
9	86180220	6	ELL, 3/8 BR		
10	86177700	4	CONN, 3/8P X 1/2T BR		
11	86177260	2	CLMP,HOS#10 9/16MIN 1-1/		
12	86051230	1	PLATE, HTR CORE CVR FRT, STL		
13	86051220	2	PLATE, HTR CORE CVR, STL		
14	86043150	2	ASSEMBLY, HEATER CORE SS		

Heat Exchanger Mounting

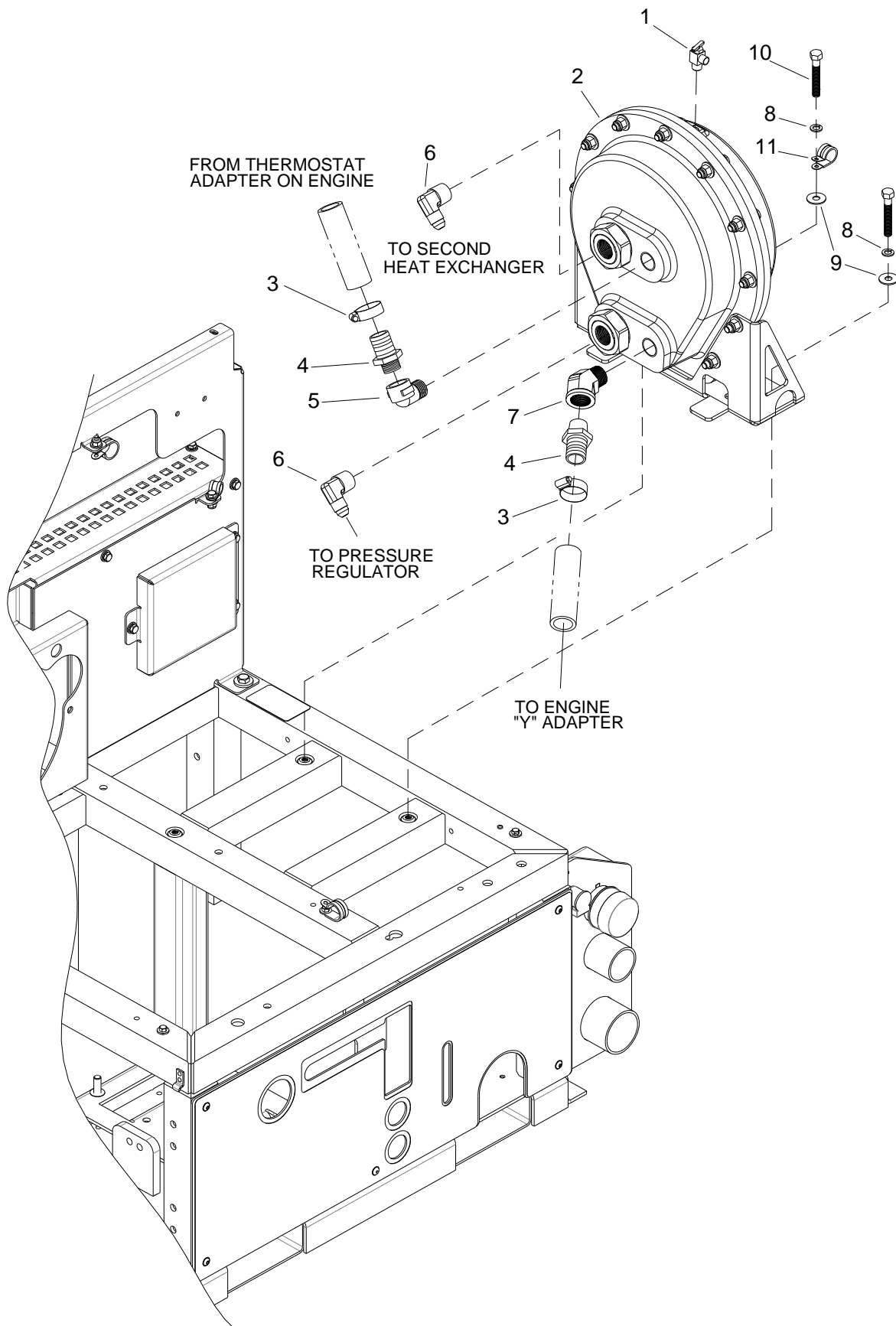


REF	PART NO.	QTY	DESCRIPTION	SERIAL NO. FROM	NOTES
1	86005770	2	NUT, 3/8-16 HEX NYLOCK		
2	86325250	2	BRKT, HE BOX SUPPORT, PGT		
3	86274000	3	SCR, 3/8-16 X 3 HHCS GR5		
4	86279510	8	WASHER, 3/8 X 1 FLAT NP		
5	86010790	4	WASHER, 3/8 SPLIT		
6	86006740	3	SCR, 3/8-16 X 1.00 HHCS GR5		

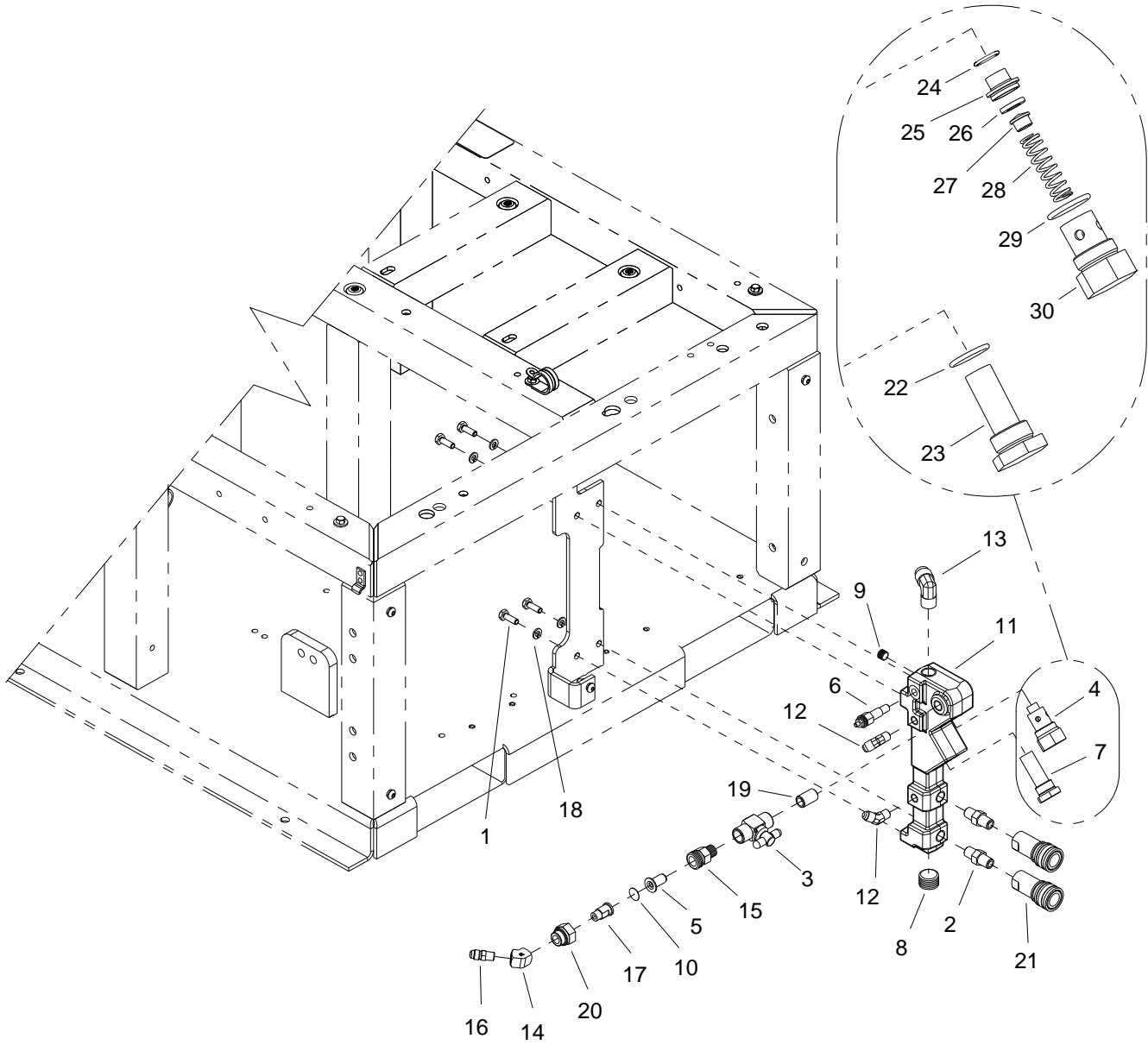


REF	PART NO.	QTY	DESCRIPTION	SERIAL NO. FROM	NOTES
1	86344980	1	O-RING, HELICOIL		▲
2	86342090	1	BRKT, HELICOIL MTG		
3	86342080	1	SHELL, FRONT, HELICOIL		
4	86342070	1	SHELL, REAR, HELICOIL		
5	86278910	24	WASHER, 3/8 X 7/8 FLAT SS		
6	86276430	8	SCR, 3/8-16 X 1.75 HHCS SS		
7	86274010	4	SCR, 3/8-16 X 2.00 HHCS SS		
8	86271930	12	NUT, 3/8-16 HEX NYLOCK SS		
9	86191900	2	RNG, LOCK, MNFLD, HE		
10	86188980	2	NUT, 1-3/4-12HXHD HE		
11	86182370	2	GSKT, MNFLD HE		
12	86370590	1	KIT, HELICOIL W/GASKETS		▲
13	86369640	2	WASHER, BACKING, MNFLD HE		

▲ WHEN REPLACING COIL KIT, THE O-RING SEAL 86344980 MUST ALSO BE REPLACED TO MAINTAIN-SEAL INTEGRITY.

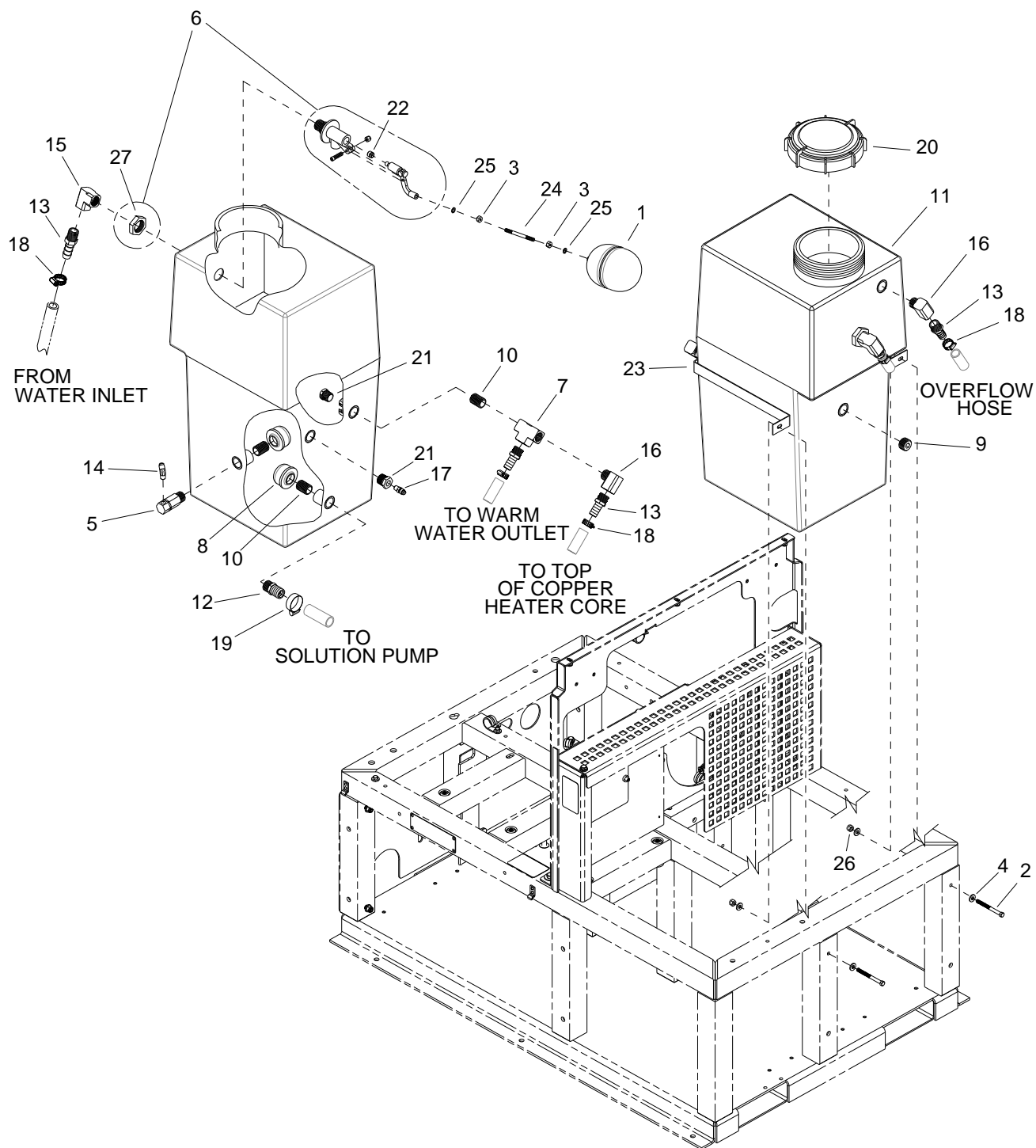


REF	PART NO.	QTY	DESCRIPTION	SERIAL NO. FROM	NOTES:
1	86177560	1	COCK, DRN 1/4P X 1/4 HOSE ELL		
2	86342100	1	ASSEMBLY, HELICOIL		
3	86177310	2	CLMP, HOSE #16 1-1/2 MIN 1-3/4		
4	86181420	2	FTTG, BRB 3/4PX1H BR		
5	86180260	1	ELL, 3/4 ST BR		
6	86180430	2	ELL, 3/4PX1/2T BR		
7	86180000	1	ELBOW, 3/4" 45 DEG BRASS ST		
8	86010790	2	WASHER, 3/8 SPLIT LOCK PLTD		
9	86279510	2	WASHER, 3/8 FLAT		
10	86006740	2	SCREW 3/8-16 X 1" HHCS GR5 PLT DL		
11	86233410	1	CLAMP, 3/4 DIA CUSHION .406 DIA		



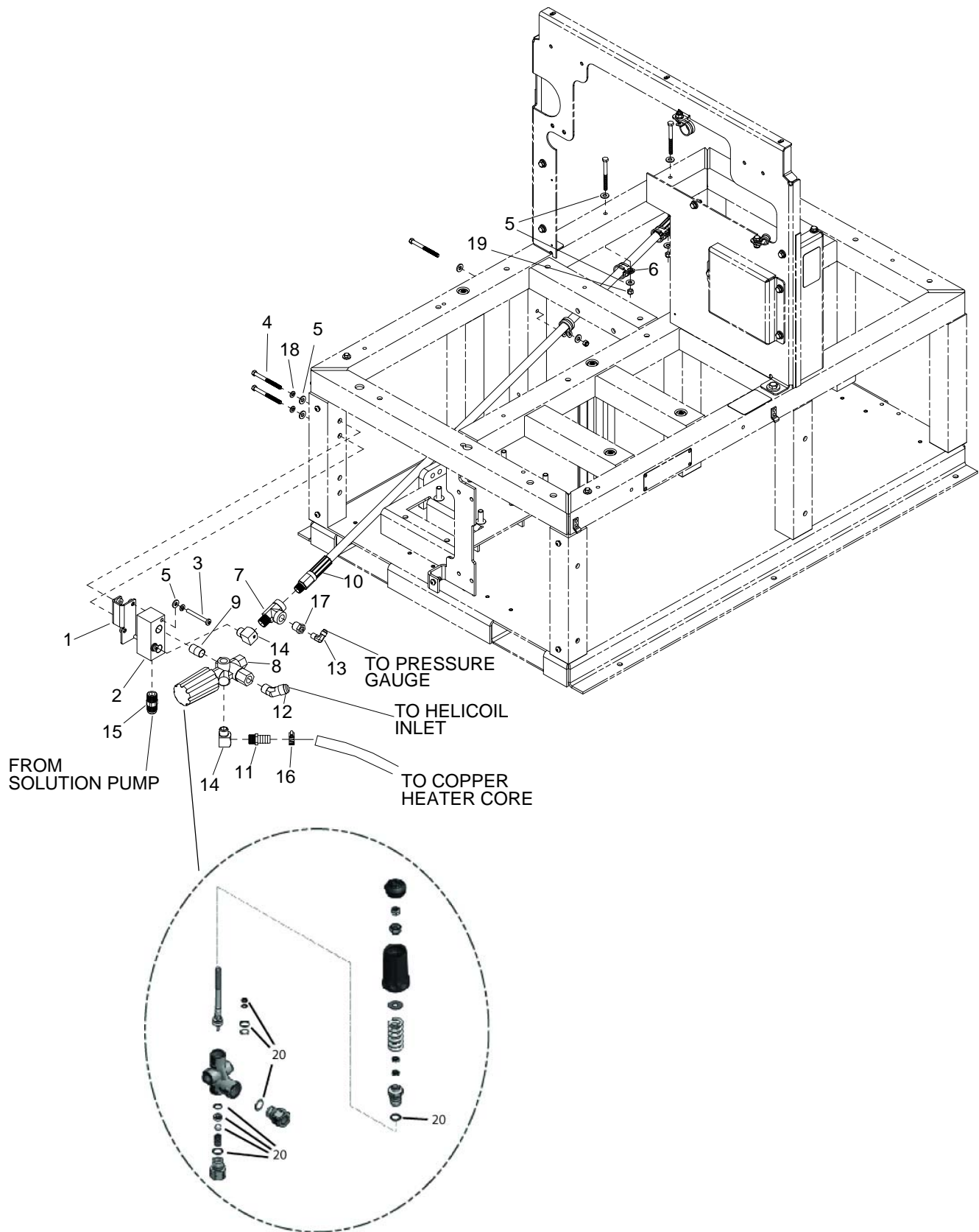
REF	PART NO.	QTY	DESCRIPTION	SERIAL NO. FROM	NOTES
1	86274750	4	SCR, 1/4-20 X 3/4 HHCS		
2	86247680	2	NIPPLE, 1/4 HEX		
3	86195170	1	VALVE, 1/4FP BALL W/HANDLE CAPS		
4	86195030	1	VALVE, CHECK		INCLUDES 24-30
5	86193490	1	STRNR, JET 50MESH		
6	86192490	1	SENDER, TEMP 140-320 DEG		
7	86192240	1	SCRN, MESH W/O-RING, SOL MNFLD		INCLUDES 22, 23
8	86190520	1	PLUG, 3/8 SOCHD BR		
9	86190180	1	PLG, 1/8 SOCHD BR		
10	86189190	1	ORIFACE, BYPASS 4916 20 ZEEMS		
11	86187260	1	MANIFOLD, SOLUTION		
12	86180420	2	ELL, 1/8P X 1/4T 45 DEG		
13	86180410	1	ELL, 3/8P X 1/2T BR		
14	86179990	1	ELBOW, 1/8" 45 DEG BRASS		
15	86177860	1	CONN, 1/4P X 11/16-16M		
16	86177660	1	CONN, 1/8P X 1/4T		
17	86173580	1	ADPTR, HOSE BYPASS		
18	86010780	4	WASHER, 1/4 SPLIT		
19	86005590	1	NIPPLE, 1/4 CLOSE		
20	86002820	1	CAP, NOZZLE		
21	86002450	2	COUPLER, 1/4 QD		
22	86189260	1	O-RING		
23	86192210	1	SCREEN, CHECK VALVE		
24	86189230	1	O-RING		
25	86192390	1	SEAT, CHK VLV ASSY		
26	86194250	1	TEFLON SEAT		
27	86190910	1	POPPET, CHK VLV ASSY		
28	86193260	1	SPRING		
29	86189270	1	O-RING, 7/8 ID 1-1/16 OD		
30	86176350	1	CAP		

Water Box



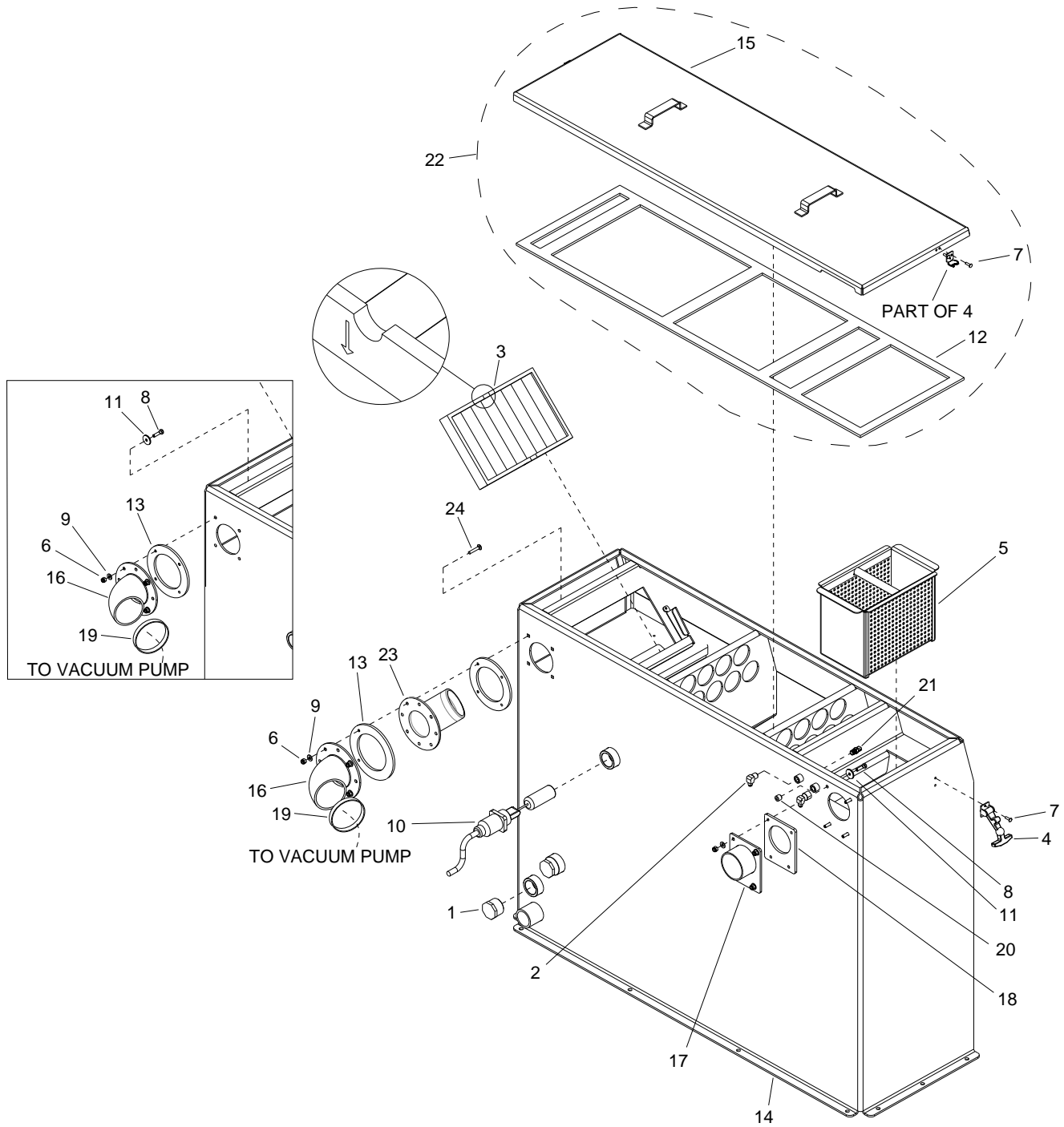
REF	PART NO.	QTY	DESCRIPTION	SERIAL NO. FROM	NOTES
1	86348200	1	BALL, 4" DIA X 5"L, WHITE FLOAT		
2	86273330	2	SCR, CAP 1/4-20 X 2.75 HXHD		
3	86270770	2	NUT, 1/4-20 HEX		
4	86270330	4	FLATWASHER, 1/4		
5	86195340	1	VLV, TEMP REL 145DEG		
6	86195060	1	VALVE, FLOAT, TM		
7	86194120	1	TEE, 1/2 BRASS		
8	86193440	2	STRAINER, SUC END 1/2FP		
9	86190480	1	PLUG, 1/2 SOCHD BR		
10	86188180	3	NIP, 1/2 X CL		
11	86031950	1	MLDG, WATER BOX EVEREST		
12	86181370	1	FTTG, BRB 1/2P x 3/4H BR		
13	86181360	4	FTTG, BRB 1/2P X 5/8H BR		
14	86180420	1	ELL, 1/8P X 1/4T 45 DEG		
15	86180250	1	ELL, 1/2 BR		
16	86180170	2	ELL, STREET 1/2 BR MACH		
17	86177660	1	CONN, 1/8P X 1/4T		
18	86177260	4	CLMP,HOS#10 9/16MIN 1-1/		
19	86177310	1	CLMP, HOSE #16 1-1/2 MIN 1-3/4		
20	86176400	1	CAP, WATER BOX		
21	86175870	2	BUSH, 1/2 X 1/8 BR		
22	86192380	1	SEAT, FLOAT VLV		
23	86057160	1	STRAP, WTR BOX HOLDDOWN		
24	86056660	1	ROD, FLOAT (1/4-20 X 4") SS		
25	86010660	2	WASHER, 1/4 EXT STAR SS		
26	86005680	2	NUT, 1/4-20 HEX NYLOCK		
27	86189010	1	NUT, FLOAT VALVE		

Pressure Regulator

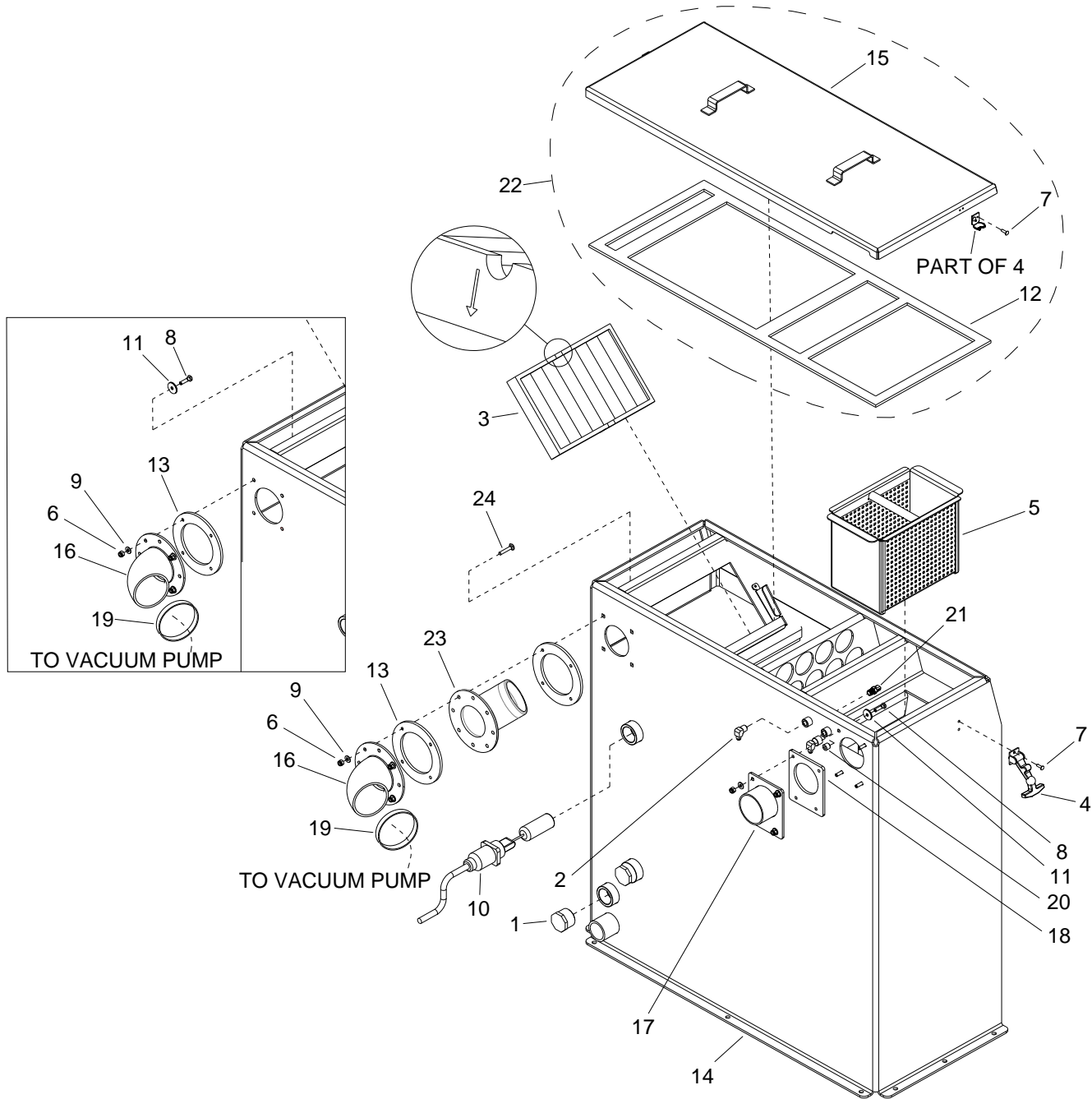


REF	PART NO.	QTY	DESCRIPTION	SERIAL NO. FROM	NOTES
1	86372700	1	BRACKET, MANIFOLD		
2	86372690	1	MANIFOLD, PRESSURE REGULATOR		
3	86274390	2	SCREW, 1/4-20 X 2.25 PHPNHMS SS		
4	86273330	5	SCREW, 1/4-20 X 2.75 HHCS STL GR5 ZPLT		
5	86270330	10	WASHER, 1/4 X .625 X .065 FLT STL ZNPLT		
6	86233390	3	CLAMP, 7/8 DIA P CUSHIONED		
7	86194180	1	TEE, SERVICE 3/8		
8	86191660	1	REG, PRESS CAT #7670AWI		
9	86386850	1	NIP, 3/8 CLOSE, BR		
10	86185180	1	HOSE, PULSE 36", 3/8MPT BS		
11	86181400	1	FTTG, BRB 3/8P x 5/8H BR		
12	86180450	1	ELL, 3/8P X 1/2T 45 DEG. BR		
13	86180420	1	ELL, 1/8P X 1/4T 45 DEG.		
14	86180210	2	ELL, ST 3/8 BR		
15	86177700	1	CONN, 3/8P X 1/2T BR		
16	86177260	1	CLMP,HOS#10 9/16MIN 1-1/		
17	86175920	1	BUSH, 3/8 X 1/8 BR		
18	86010780	4	WASHER. 1/4 X .487 X .062 SPL STL ZNPLT		
19	86005680	3	NUT, 1/4-20 HEX NYLOCK STL GR2 ZNPLT		
20	86374090	1	REPAIR KIT, GEN PUMP REGULATOR		

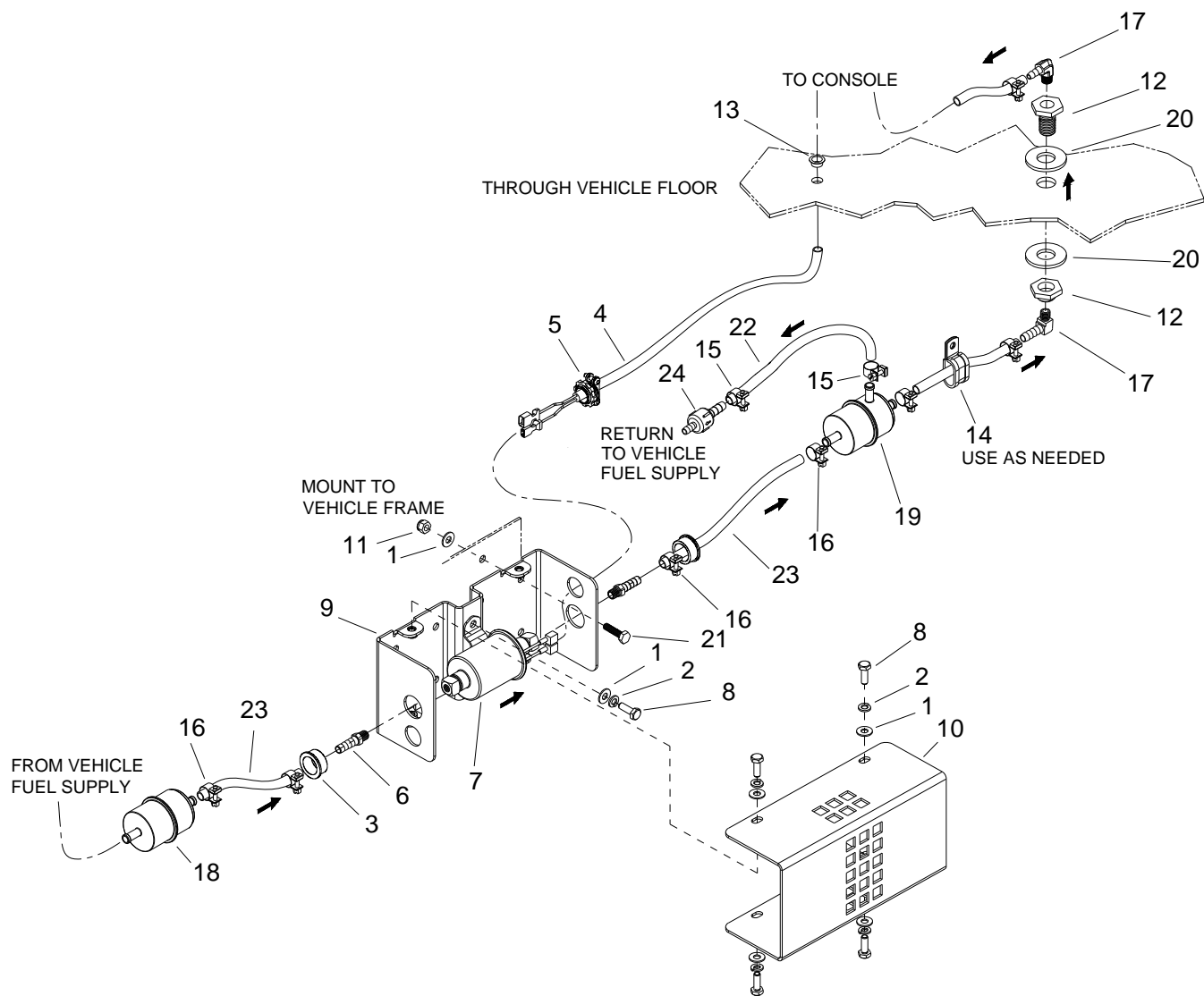
100 Gallon Waste Tank



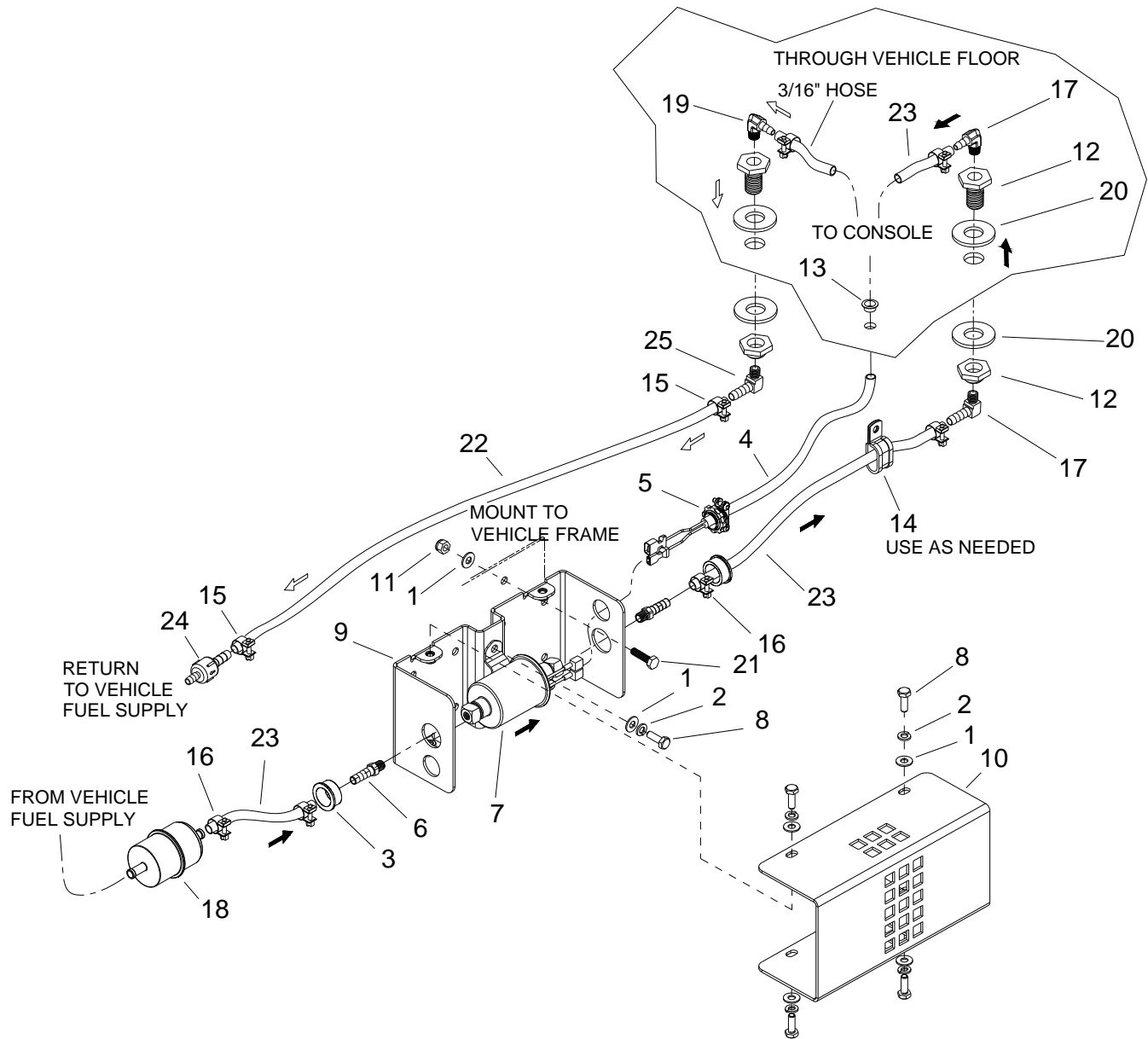
REF	PART NO.	QTY	DESCRIPTION	SERIAL NO. FROM	NOTES
-	98409640	1	ASSY, 100G WST TNK, APEX PC		COMPLETE
1	86190530	2	PLUG, 1-1/4 HXHD PVC		
2	86180340	2	ELL, 1/4P X 1/4T BR		
3	86193540	1	STRNR, WST TNK, RECT, 1.5		
4	86186860	2	LATCH, DRAW 2-7/8 SST		
5	86043190	1	STRAINER BOWL, AVENGER 450		
6	86005810	8	NUT, 1/4-20 HEX NYLOCK SS		
7	86273020	8	RIVET, 3/16 OD X 5/8 AL		
8	86273810	4	SCR, 1/4-20 X 1 HHCS SS	*(2)	
9	86010630	8	WASHER, 1/4 X 5/8 FLAT SS		
10	86193870	1	ASSY, LVL SENS SHTOF SW		
11	86202240	4	WASHER, SEAL 1/4 X 1 OD SS	*(2)	
12	86325770	1	GASKET, 100G LID WST TNK		
13	86318560	2	GASKET, VAC OUTLET	*(2)	
14	86410180	1	TANK, WASTE, 100G PC		
15	86410170	1	LID, 100G WST TNK, PC		
16	86385900	1	OUTLET, VACUUM, 3-1/2", GRY PC		
17	86385890	1	INLET, 3" VACUUM, GRY PC		
18	86323700	1	GASKET, VAC INLET		
19	86177010	1	CLAMP, HOSE #48		
20	86272720	1	PLG, 1/4 SOCHD BRASS		
21	86202180	1	VV-JET 1/4 8006		
22	86350770	1	ASSY, WASTE TANK LID, 100G		
23	86415330	1	ELBOW, Ø3.50 OD X 53°	*(2)	
24	86277000	4	SCREW, 1/4-20 X 1.5 CARR SS	*(2)	
-	86264850	-	ADHESIVE, GASKET		



REF	PART NO.	QTY	DESCRIPTION	SERIAL NO. FROM	NOTES
-	98409630	1	ASSY, 60G WST TNK, APEX PC		COMPLETE
1	86190530	2	PLUG, 1-1/4 HXHD PVC		
2	86180340	2	ELL, 1/4P X 1/4T BR		
3	86193540	1	STRNR, WST TNK, RECT, 1.5		
4	86186860	2	LATCH, DRAW 2-7/8 SST		
5	86043190	1	STRAINER BOWL, AVENGER 450		
6	86005810	8	NUT, 1/4-20 HEX NYLOCK SS		
7	86273020	8	RIVET, 3/16 OD X 5/8 AL		
8	86273810	4	SCR, 1/4-20 X 1 HHCS SS	*(2)	
9	86010630	8	WASHER, 1/4 X 5/8 FLAT SS		
10	86193870	1	ASSY, LVL SENS SHTOF SW		
11	86202240	4	WASHER, SEAL 1/4 X 1 OD SS	*(2)	
12	86318530	1	GASKET, WASTE TANK LID		
13	86318560	2	GASKET, VAC OUTLET	*(2)	
14	86410200	1	TANK, WASTE, 60G PC		
15	86410190	1	LID, WST TNK, 60G PC		
16	86385900	1	OUTLET, VACUUM, 3-1/2", GRY PC		
17	86385890	1	INLET, 3" VACUUM, GRY PC		
18	86323700	1	GASKET, VAC INLET		
19	86177010	1	CLAMP, HOSE #48		
20	86272720	1	PLG, 1/4 SOCHD BRASS		
21	86202180	1	VV-JET 1/4 8006		
22	86350790	1	ASSY, WASTE TANK LID, 60 G		
23	86415330	1	ELBOW, Ø3.50 OD X 53°	*(2)	
24	86277000	4	SCREW, 1/4-20 X 1.5 CARR SS	*(2)	
-	86264850	-	ADHESIVE, GASKET		

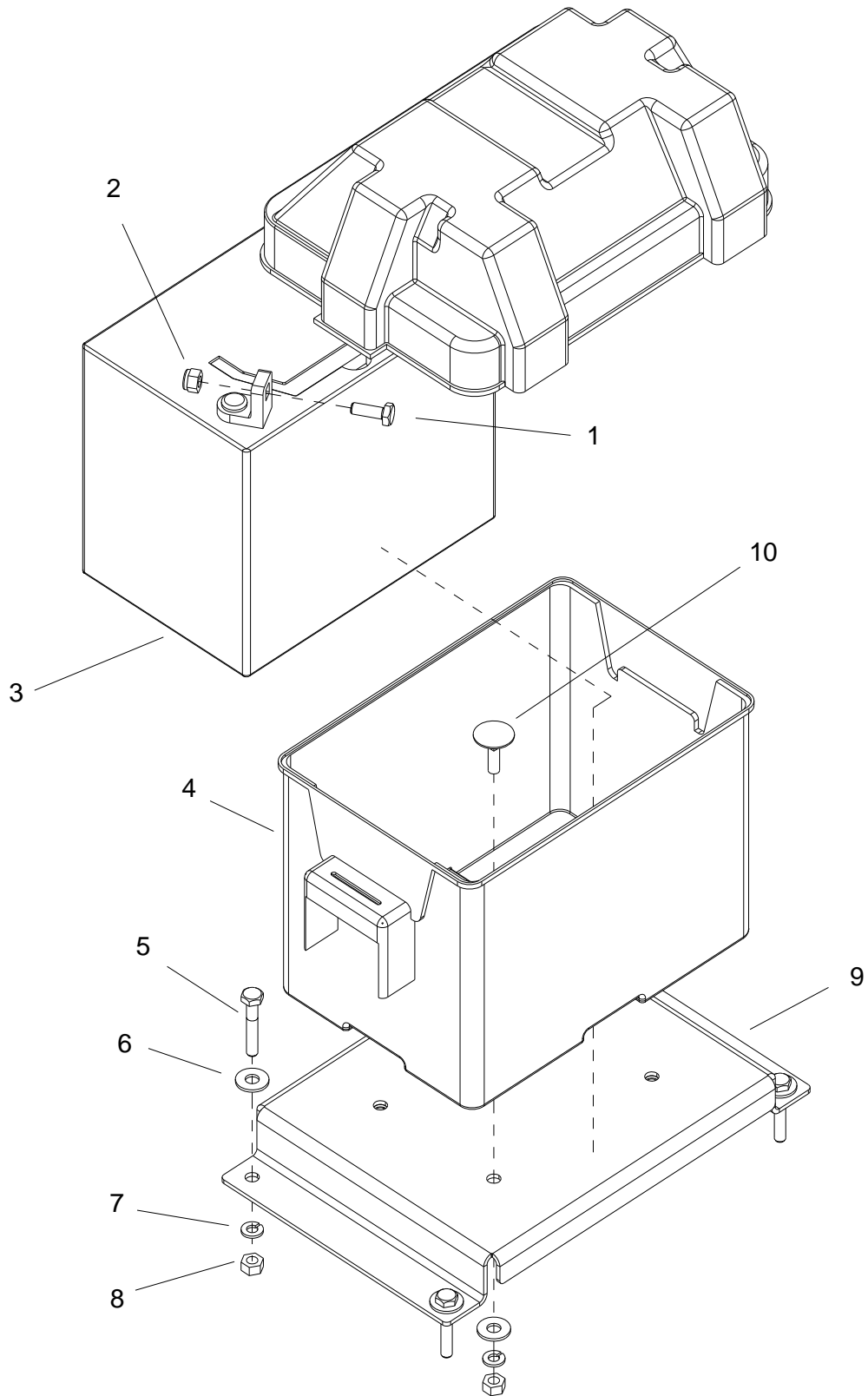


REF	PART NO.	QTY	DESCRIPTION	SERIAL NO. FROM	NOTES
1	86010630	14	WASHER, 1/4 ID X 5/8 OD SS		
2	86173340	6	WASHER, SPLIT LOCK, 1/4, SS		
3	86175970	2	BUSHING, SNAP HEYCO 2140		
4	86176930	1	CD, FUEL PUMP, 2003 VAN		
5	86177880	1	CONN, CORD 1/2		
6	86181300	2	FTTG, BARB 1/8P X 5/16H		
7	86191420	1	PUMP, FUEL AIRTEX		
8	86273780	6	SCR, 1/4-20 X 3/4 HHCS SS NP		
9	86335230	1	HOUSING, FUEL PUMP		
10	86335240	1	COVER, FUEL PUMP		
11	86005810	4	NUT, 1/4-20 HEX NYLOCK SS		
12	86175850	1	BULKHEAD		
13	86175980	1	BUSH, OPEN/CLSD 5/8 HOL		
14	86177370	4	CLMP, FUEL LINE 5/16 X 1/4B		
15	86177390	2	CLAMP, F.I., SAE 12, 1/4" HOSE		
16	86177400	7	CLAMP, F.I., SAE 14, 5/16" HOSE		
17	86179920	2	EL, 90DEG 1/8 X 5/16HB		
18	86180960	1	FILTER, FUEL, 5/16		
19	86181620	1	FUEL FILTER		
20	86182460	2	GSKT, BULKHD-FUEL LINE HKU		
21	86273810	4	SCR, 1/4-20 X 1 HHCS SS		
22	86282410	1	HOSE, FUEL 1/4 X 6'		
23	86184980	1	HOSE, 5/16" FUEL X 12', T-FLEX		
24	86339630	1	VALVE, CHECK, 1/4H X 5/16H FUEL		
-	86282810	2	SLEEVE, 3/4 LOOM X 23"		
-	86265730	10	TIE, CABL 8" WHT		
-	86273290	4	SCR, SLFDR #14 X 1 HXHD		

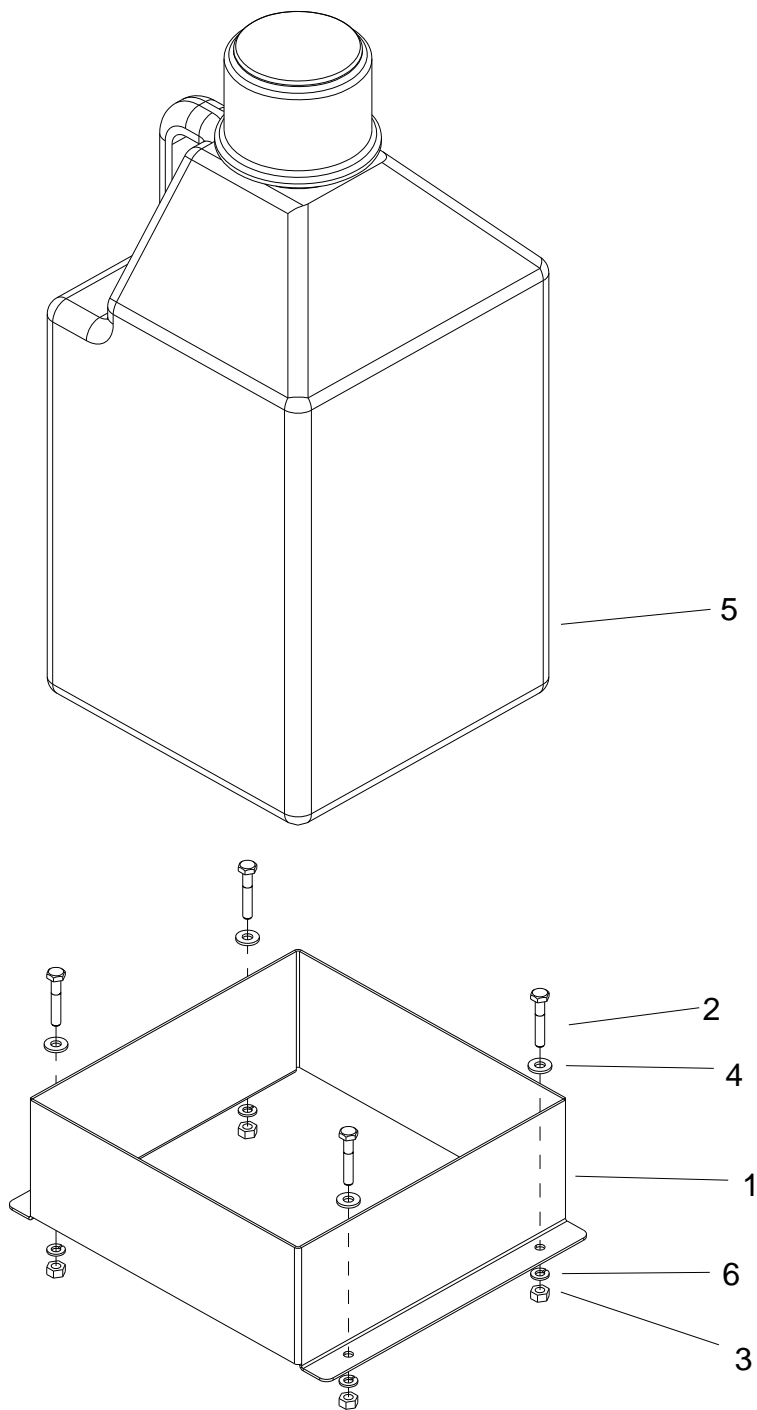


REF	PART NO.	QTY	DESCRIPTION	SERIAL NO. FROM	NOTES
1	86010630	14	WASHER, 1/4 ID X 5/8 OD SS		
2	86173340	6	WASHER, SPLIT LOCK, 1/4, SS		
3	86175970	2	BUSHING, SNAP HEYCO 2140		
4	86176930	1	CD, FUEL PUMP, 2003 VAN		
5	86177880	1	CONN, CORD 1/2		
6	86181300	2	FTTG, BARB 1/8P X 5/16H		
7	86191420	1	PUMP, FUEL AIRTEX		
8	86273780	6	SCR, 1/4-20 X 3/4 HHCS SS NP		
9	86335230	1	HOUSING, FUEL PUMP		
10	86335240	1	COVER, FUEL PUMP		
11	86005810	4	NUT, 1/4-20 HEX NYLOCK SS		
12	86175850	2	BULKHEAD		
13	86175980	1	BUSH, OPEN/CLSD 5/8 HOL		
14	86177370	4	CLMP, FUEL LINE 5/16 X 1/4B		
15	86177390	6	CLAMP, F.I., SAE 12, 1/4" HOSE		
16	86177400	10	CLAMP, F.I., SAE 14, 5/16" HOSE		
17	86179920	2	EL, 90DEG 1/8 X 5/16HB		
18	86180960	1	FILTER, FUEL, 5/16		
19	86185080	1	HOSEBARB, 1/8M X 3/16H 90 DEG		
20	86182460	4	GSKT, BULKHD-FUEL LINE HKU		
21	86273810	4	SCR, 1/4-20 X 1 HHCS SS		
22	86282410	1	HOSE, FUEL 1/4 X 6'		
23	86282480	1	HOSE, FUEL INJ 5/16 X 72" J30R9		
24	86339630	1	VALVE, CHECK, 1/4H X 5/16H FUEL		
25	86179930	1	EL, 90DEG 1/8NPT X 1/4HB		
-	86282810	2	SLEEVE, 3/4 LOOM X 23"		
-	86265730	10	TIE, CABL 8" WHT		
-	86273290	4	SCR, SLFDR #14 X 1 HXHD		

Battery Floor Mount

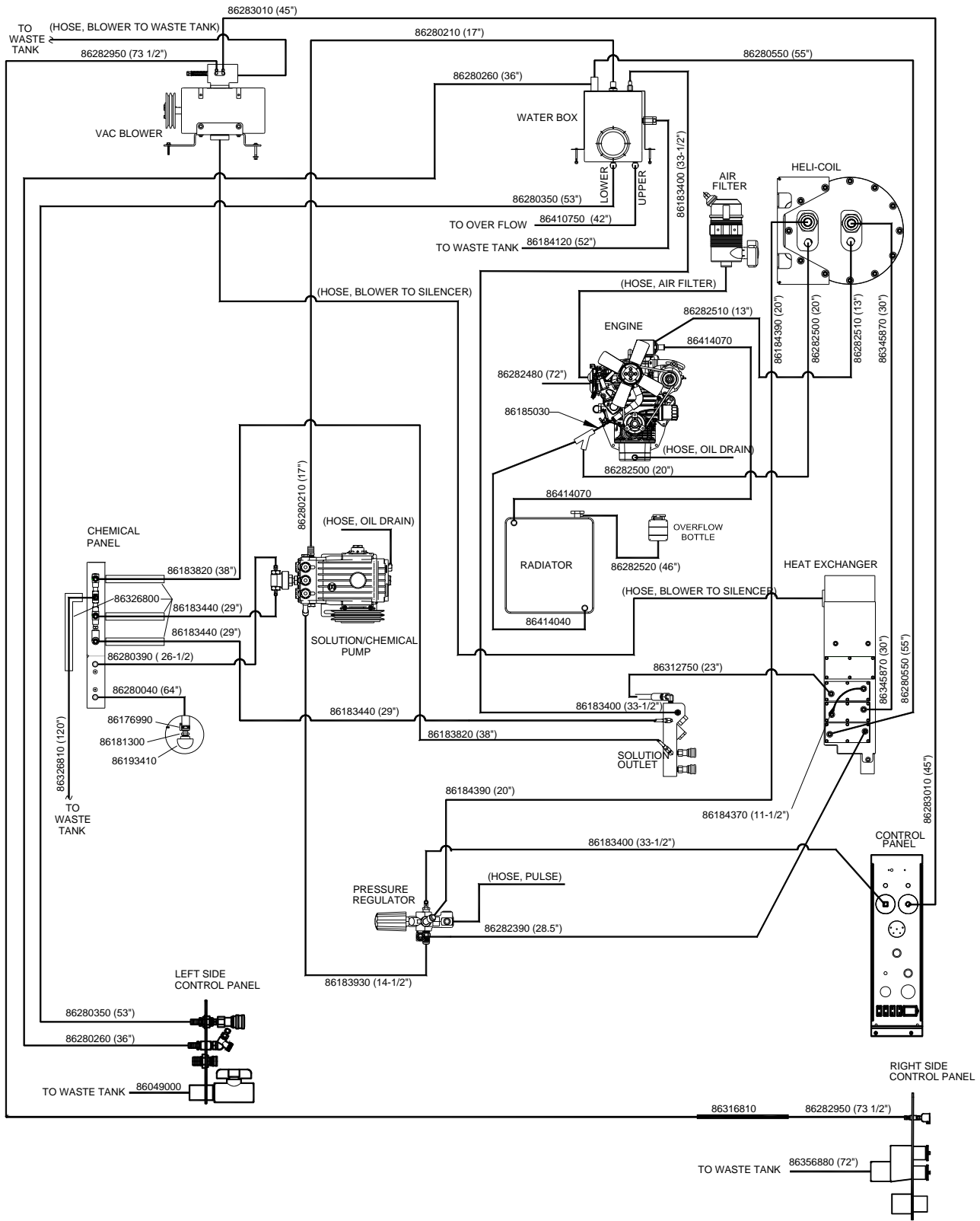


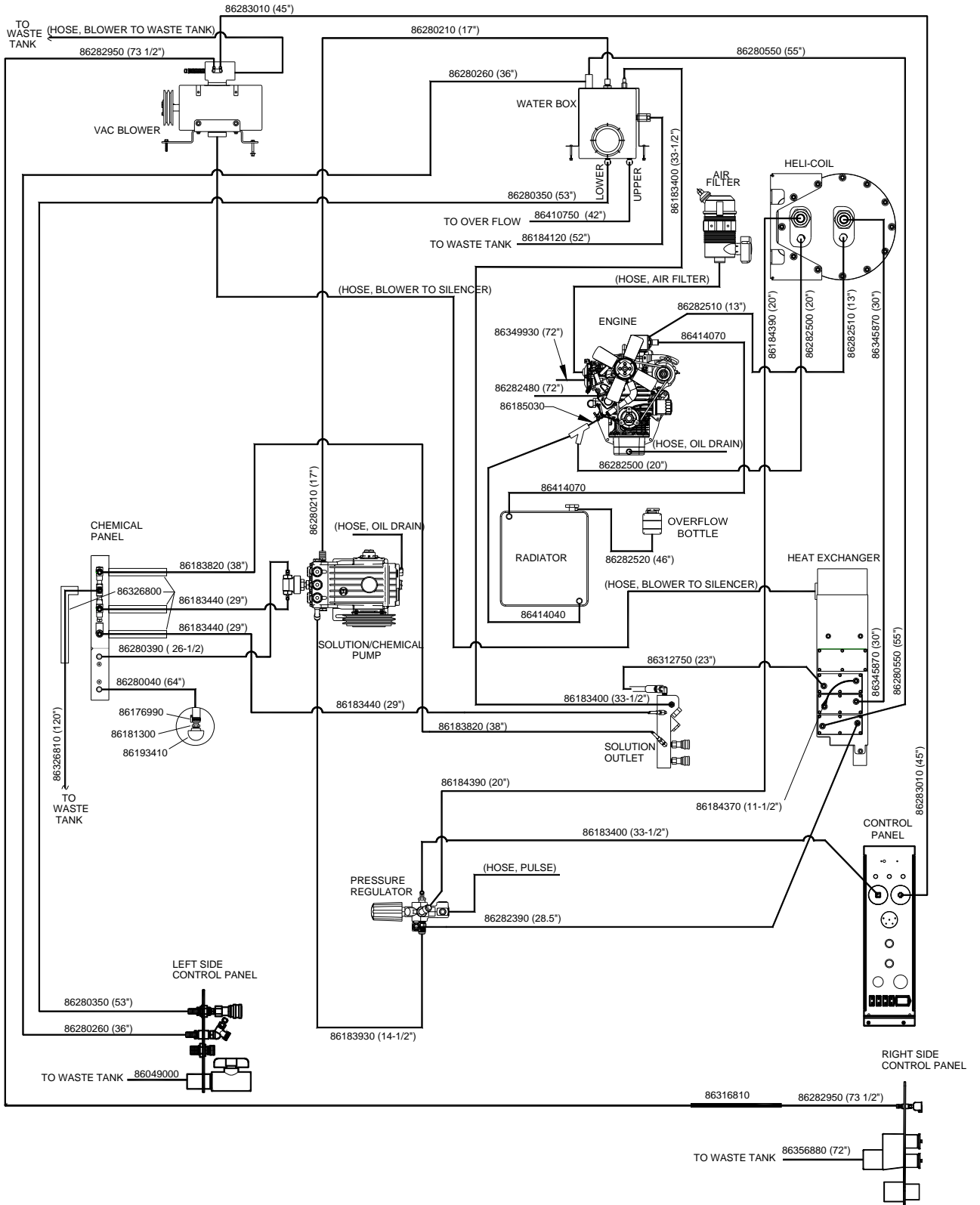
REF	PART NO.	QTY	DESCRIPTION	SERIAL NO. FROM	NOTES
-	86030550	1	KIT, BAT FLR MTG TM		COMPLETE EXCLUDING BATTERY
1	86273780	2	SCR, 1/4-20 X 3/4 HHCS SS NP		
2	86005680	2	NUT, 1/4-20 HEX NYLOCK		
3	86174580	1	BATTERY		
4	86012060	1	BOX, BATTERY, MODIFIED		
5	86273190	4	SCR, 1/4-20 X 1-1/2 HXHD		
6	86270330	8	FLATWASHER, 1/4		
7	86010780	8	WASHER, 1/4 SPLIT LOCK PLTD		
8	86270770	8	NUT, 1/4-20 HEX		
9	86309890	1	BRKT, BATTERY BOX MTG		
10	86011470	4	BOLT, ELEVATOR, 1/4-20 X 1		



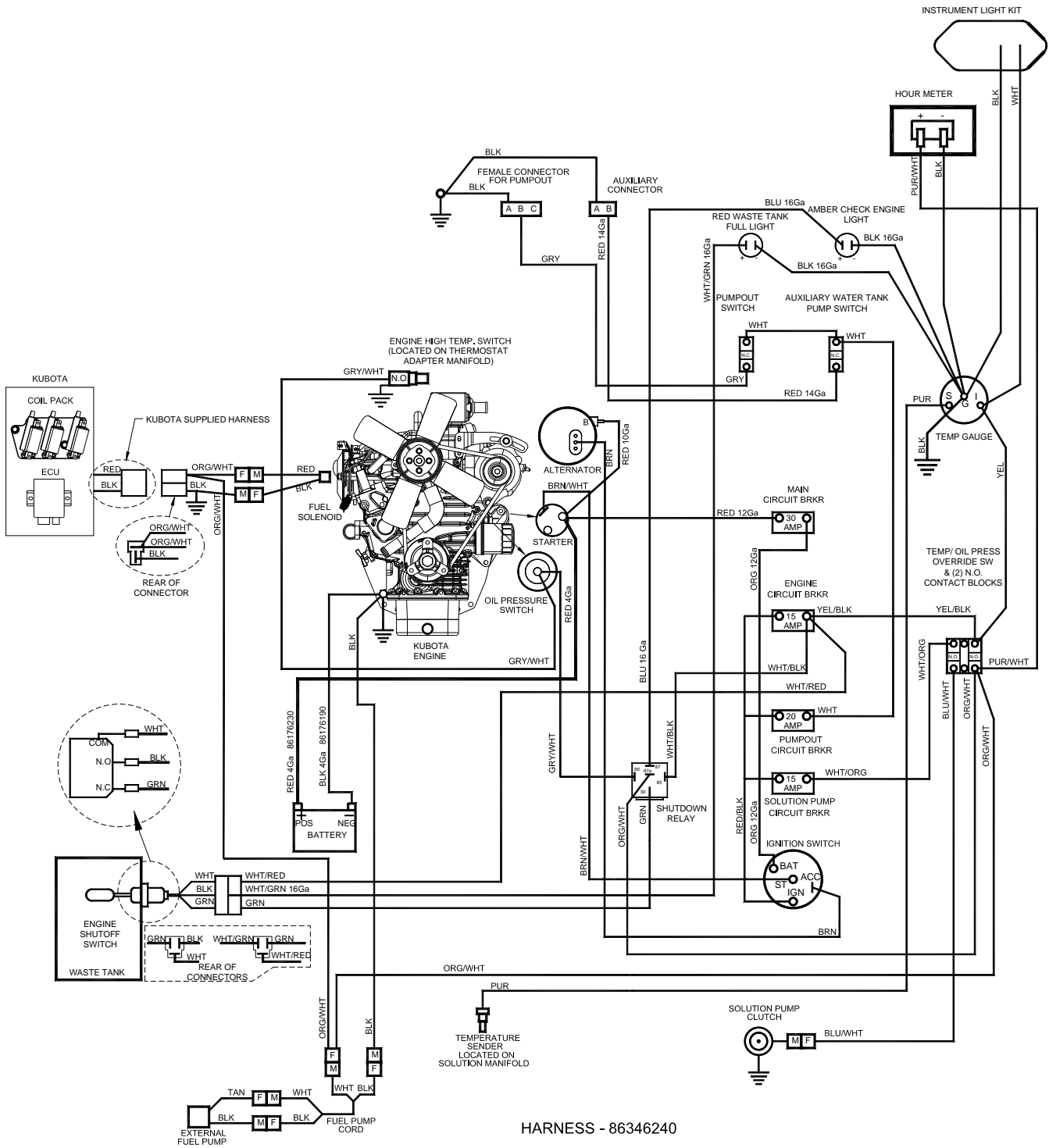
REF	PART NO.	QTY	DESCRIPTION	SERIAL NO. FROM	NOTES
1	86298250	1	HOLDER, 5 GAL JUG		
2	86273190	4	SCR, 1/4-20 X 1-1/2 HXHD		
3	86270770	4	NUT, 1/4-20 HEX		
4	86270330	4	FLATWASHER, 1/4		
5	86185720	1	JUG,5 GAL, SINGLE HNDL, WHITE		
6	86010780	4	WASHER 1/4 SPLIT LOCK PLTD		

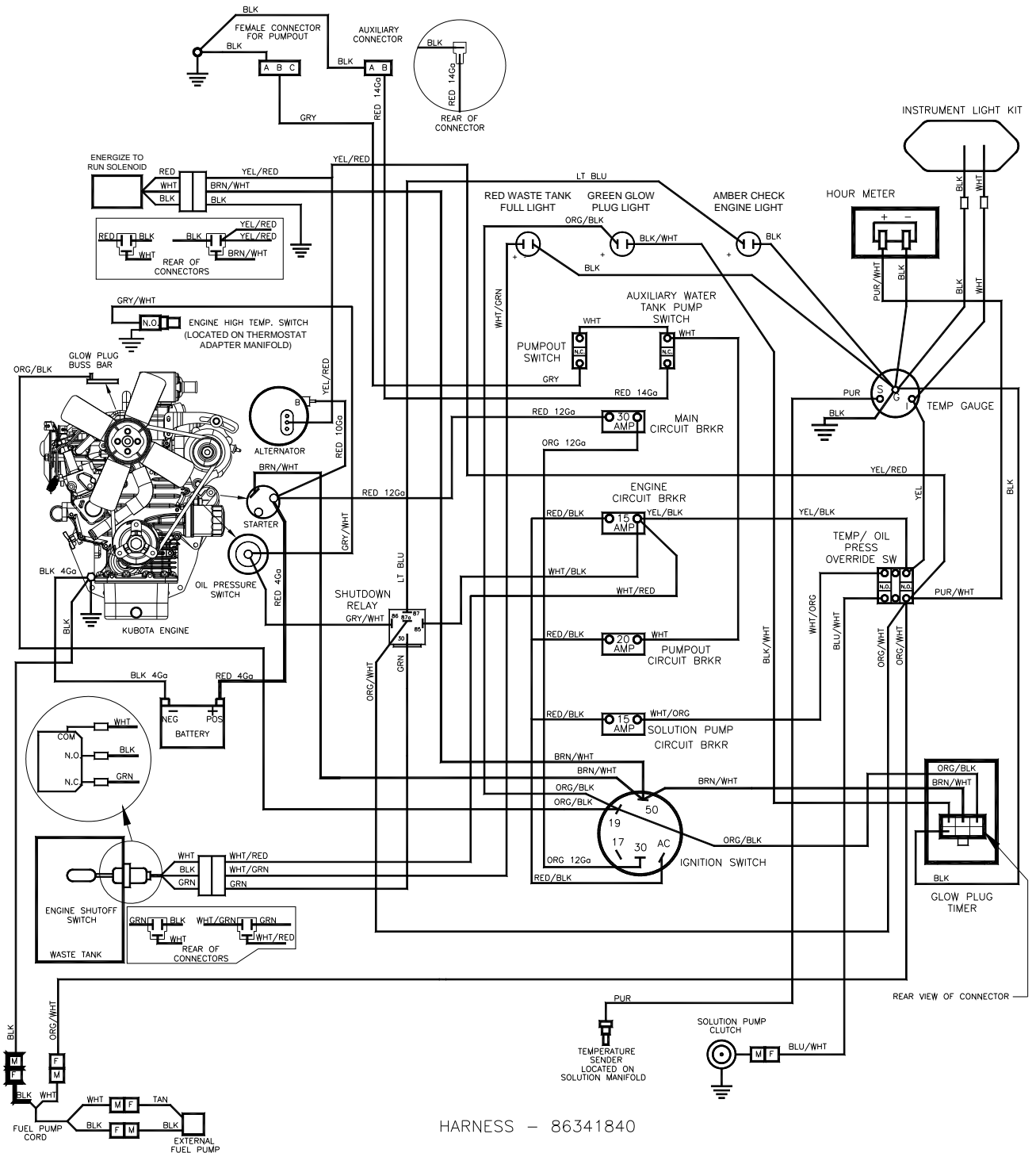
Hose Diagram - Gas





Wiring Diagram - Gas

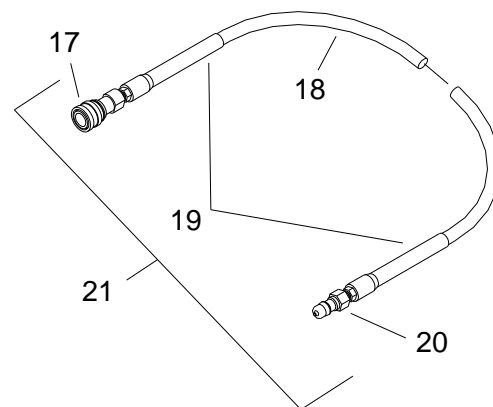
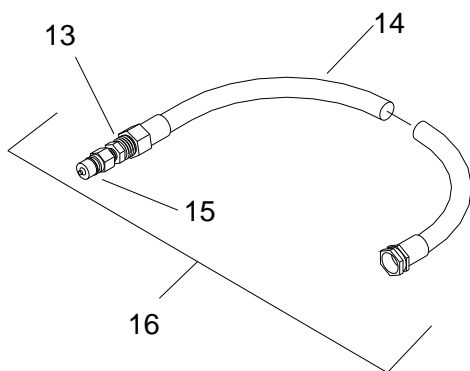
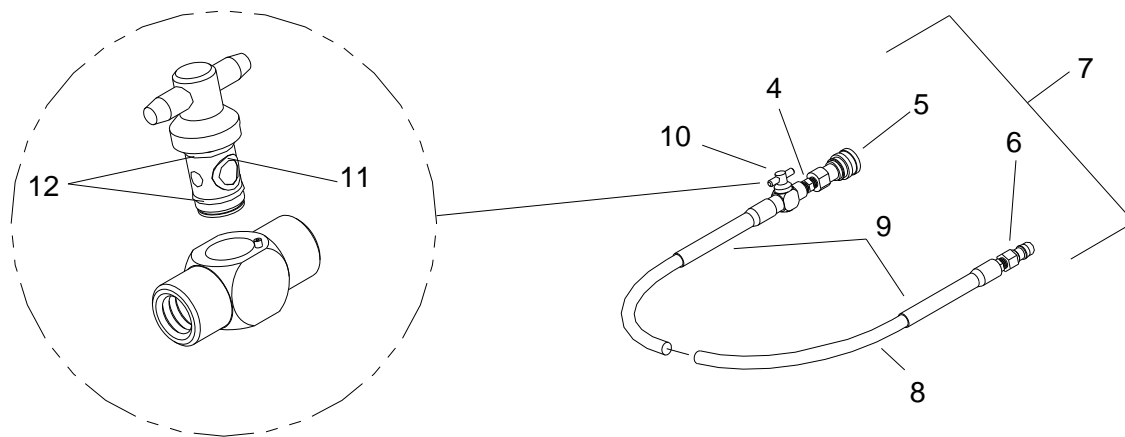
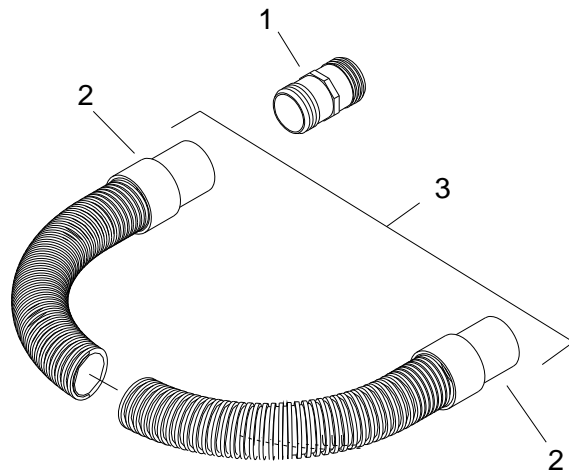




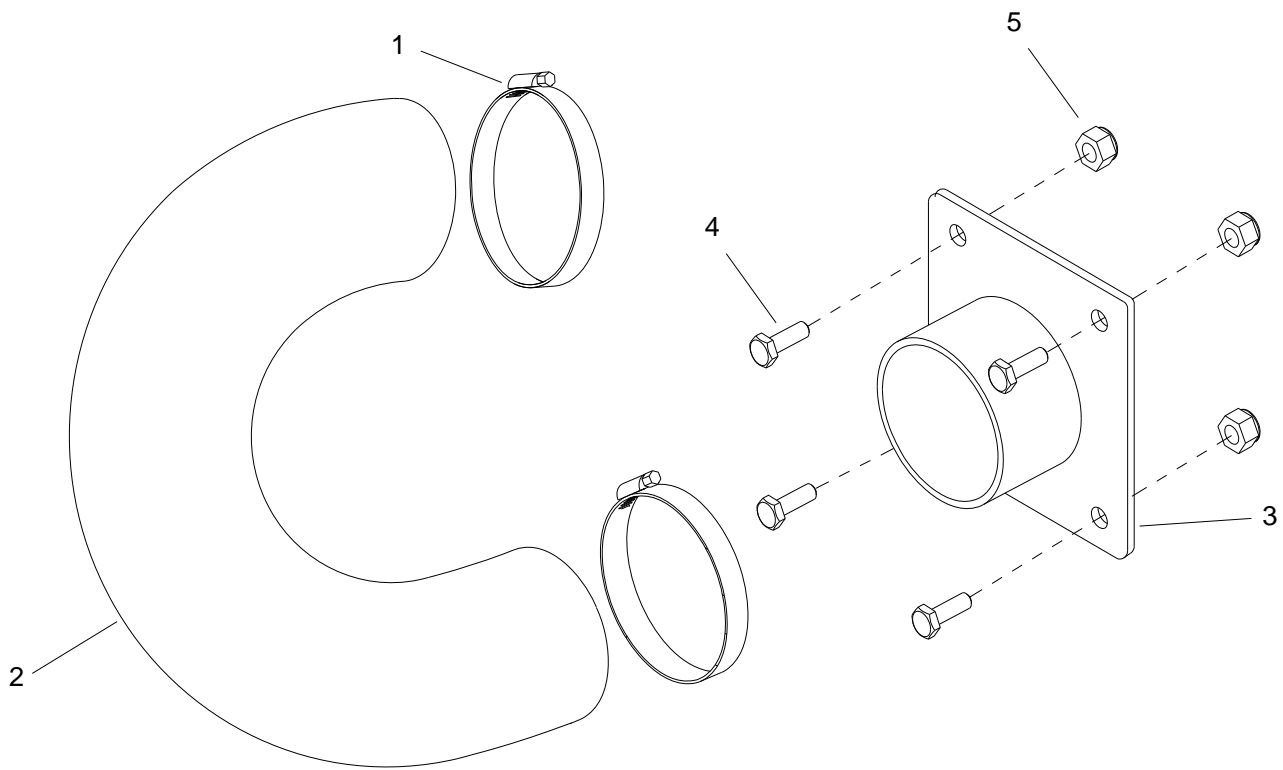
HARNESS - 86341840

Notes:

OPTIONS

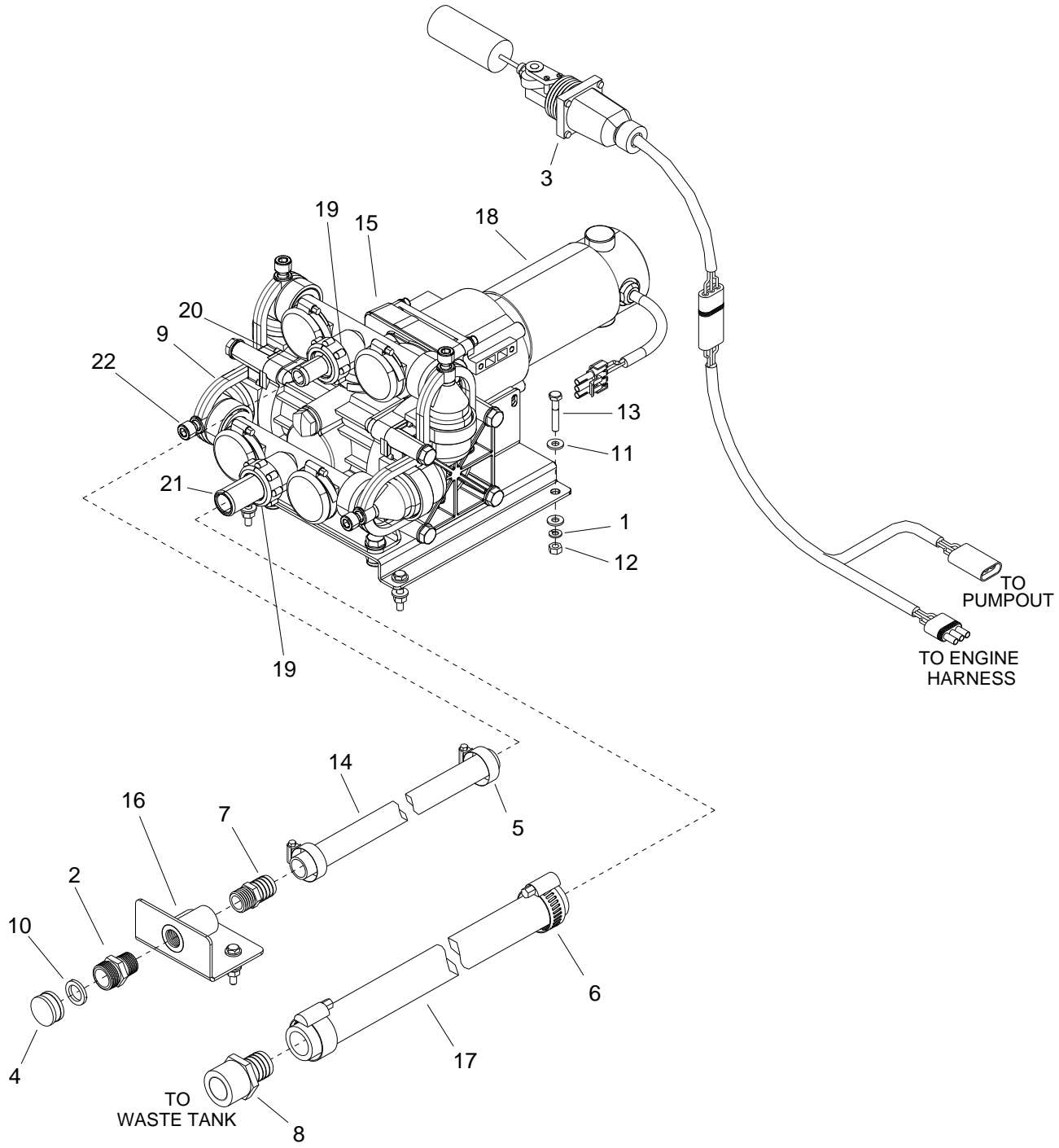


REF	PART NO.	QTY	DESCRIPTION	SERIAL NO. FROM	NOTES
1	86180980	1	FITTING, BRB 2H BS PVC		
2	86178640	2	CUFF, 2"		
3	86184510	1	HOSE, VAC 2"X50' W/ CUFFS & HOSE		
4	86247680	1	NIPPLE, 1/4 HEX		
5	86002450	1	COUPLER, 1/4 QD		
6	86005580	1	NIPPLE, 1/4 FPT QD		
7	86184530	1	HOSE, HP 1/4 X 50FT W/QD & VLVE		
8	86184520	1	HOSE, HP 1/4 X 50'		
9	86182800	2	GUARD, HOSE VINYL		
10	86194990	1	VALVE, BALL 1/4FP		
11	86189240	2	O-RING, 7/32ID X 11/32OD		
12	86189250	2	O-RING, 3/8 ID X 1/2 OD		
13	86188210	1	NIP, 1/2 X 3/8 HEX BR		
14	86184570	1	HOSE, WATER 1/2 X 50'		
15	86179630	1	DISCONNECT 3/8M X 3/8FP		
16	86410660	1	HOSE, 1/2" ID X 50' W/QD		
17	86002450	1	COUPLER, 1/4 QD		
18	86184520	1	HOSE, HP 1/4 X 50'		
19	86182800	2	GUARD, HOSE VINYL		
20	86005580	1	NIPPLE, 1/4 FPT QD		
21	86184540	1	HOSE, HP 1/4 X 50FT W/QD		



REF	PART NO.	QTY	DESCRIPTION	SERIAL NO. FROM	NOTES
-	86030440	1	KIT, EXHAUST 3"ID, SINGLE		KIT COMPLETE
1	86177010	2	CLAMP, #48 HOSE		
2	86280600	1	HOSE, 3" X 17" FLEXABLE		
3	86181110	1	FLANGE, VAC EXH DUCT KIT LG		
4	86192060	4	SCREW, 1/4-20 X 1-1/4" SST		
5	86005810	4	NUT, 1/4-20 HEX NYLOCK SS		

Automatic Pumpout - Dual Diaphragm - Optional



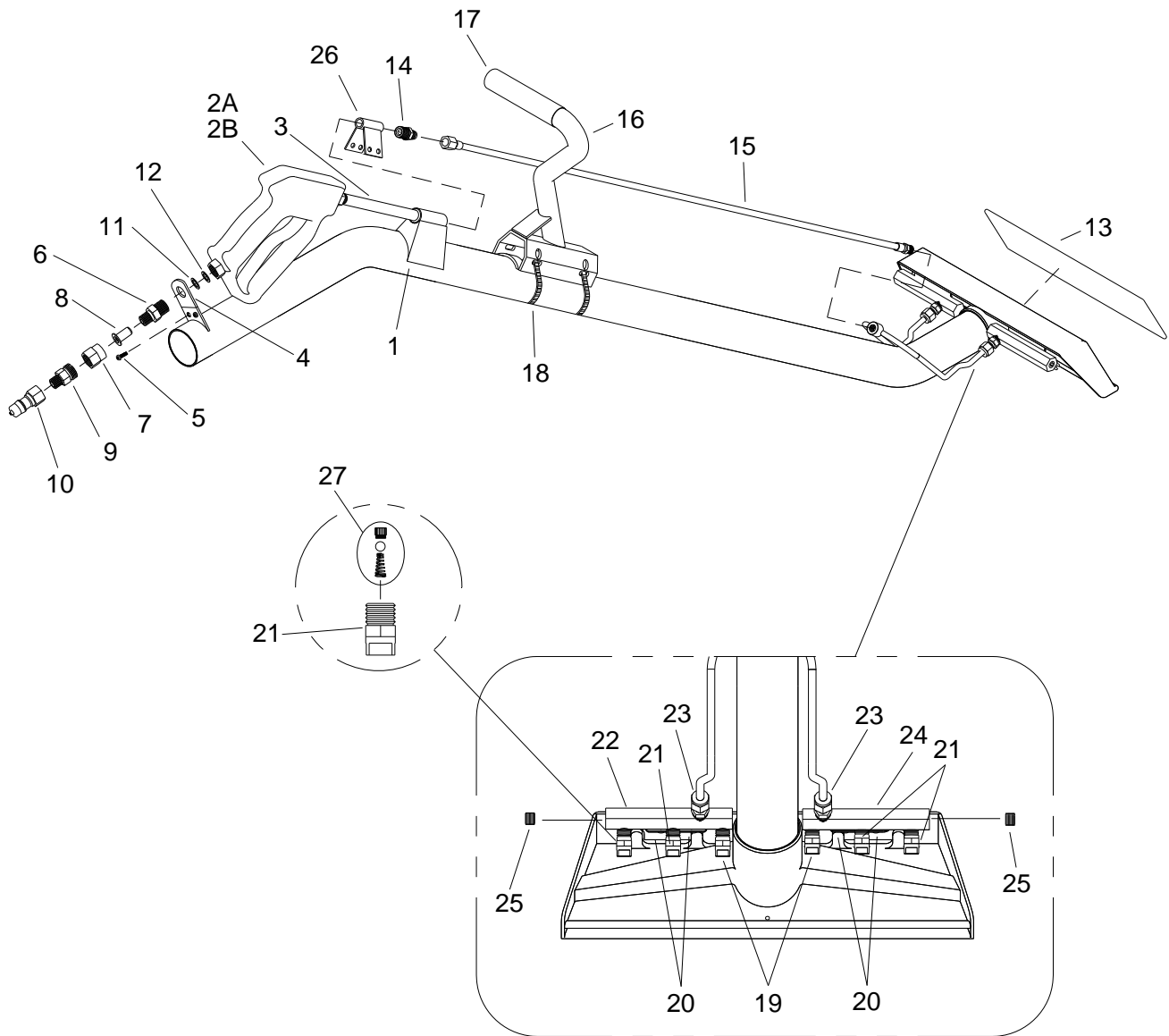
Automatic Pumpout - Dual Diaphragm - Optional

REF	PART NO.	QTY	DESCRIPTION	SERIAL NO. FROM	NOTES
-	86335970	1	ASSY, PUMPOUT, DUAL DIAPHRAGM		COMPLETE ASSEMBLY
1	86010780	1	WASHER, 1/4 SPLIT LOCK, PLTD		
2	86173530	1	ADAPTER, HOSE 1/2M X 3/4 MGT		
3	86174260	1	ASSY, LVL SW WASTE PUMPOUT		
4	86176420	1	CAP,HOS 3/4 BR		
5	86177310	2	CLMP, HOSE #16 1-1/2 MIN 1-3/4		
6	86177050	2	CLAMP, HOSE #20		
7	86181370	1	FTTG, BRB 1/2P X 3/4H BR		
8	86181440	1	FTTG, 1-1/4P X 1"H BR		
9	86336420	4	CLAMP, DUAL PUMPOUT		
10	86195820	1	WSR,HOS 5/8 ID 1"OD		
11	86270330	12	FLATWASHER, 1/4		
12	86270770	6	NUT, 1/4-20 HEX		
13	86273190	6	SCR, 1/4-20 X 1-1/2 HXHD		
14	86280230	1	HOSE, 3/4ID WTR X 41"		
15	86333880	1	PUMPOUT, WASTE, DUAL DIAPHRAGM		
16	86335950	1	BRKT, HOSE CONNECTING		
17	86335960	1	HOSE, 1" ID X 18" EXHAUST		
18	86336370	1	MOTOR, BISON PUMP 12V		
19	86336350	2	NUT, 3/4"DIA OUTLET, DUAL PUMPOUT		
20	86336360	1	FTTG, BARB, 3/4"DIA, DUAL PUMPOUT		
21	86336380	1	FTTG, BARB, OUTLET, DUAL PUMPOUT		
22	86336410	4	SCR, CLAMP SHCS, DUAL PUMPOUT		
-	86336300	2	DIAPHRAGM, PUMP OUT, DUAL		NOT SHOWN
-	86336310	2	BOLT, DIAPH RETAINING		NOT SHOWN
-	86336320	2	WASHER, DIAPH RETAINING		NOT SHOWN
-	86336340	4	VALVE, DUAL PUMPOUT, CHECK		NOT SHOWN
-	86336390	4	O-RING, DUAL PUMPOUT, MANIFOLD		NOT SHOWN
-	86336400	2	O-RING, BARB FTTG, DUAL PUMPOUT		NOT SHOWN
-	86336440	1	KIT, DUAL PUMPOUT, REBUILD		NOT SHOWN
-	86184780	1	HOSE, GARDEN 3/4 X 75'		NOT SHOWN

REF	PART NO.	QTY	DESCRIPTION	SERIAL NO. FROM	NOTES
-	86288350	1	WD, TM, 6 JET, TITANIUM (8001) PC		COMPLETE
1	86273310	2	SCR, CAP 1/4-20 X 1 1/4 SOC		
2	86192030	5	SCR, CAP 10-32 X 1 1/4 SOCH		
3	86006680	4	SCR, 10-32 X 1/4 PPHMS SS		
4	86270990	5	NUT, 10-32 HEX NYLOCK SS		
5	86264910	2	TIE, CABLE 13"		
6A	86184270	1	HOSE, 3/16 X 46 (1/8P X 1/4FT) MET		▲
6B	86337360	1	HOSE, 3/16 X 47 (1/8P X 1/4FT) MET		▲
6C	86183720	1	HOSE, 3/16 X 47 5/8 (1/8P X 1/4FT) MET		▲
7	86247680	1	NIPPLE, 1/4 HEX		
8	86190180	2	PLUG, 1/8 SOCHD BR		
9	86177650	1	CONN, 1/4P X 1/4T BR		
10	86177710	2	CONN, 1/8P X 1/4T COMP BR		
11	86005580	1	NIPPLE, 1/4 FPT QD		
12	86193490	1	STRAINER, JET 50 MESH		
13	86194450	2	TIP, SPRAY 9501 X 1/8P SST		
14	86195570	2	WASHER, NYLON		
15	86177860	1	CONN, 1/4P X 11/16-16M		
16	86177870	1	CONN, 1/4FP X 11/16-16F BR		
17	86194580	4	TIP, SPRAY 8001 SST \1/8 VJET		
18	86340720	1	TRIGGER, WD VLV, 9 DEG		
19	86174680	1	BODY, WD HDL, 2" TB, BK		
20	86198180	1	HOLD DN-WD HDL 2" TUBE		
21	86187610	1	MANFOLD, LEFT		
22	86187620	1	MANIFOLD, RIGHT		
23	86174060	1	ASSY, MNFLD S-BEND		
24	86372970	1	BRACKET, WAND VALVE		
25	86174120	1	ASSY, EXTRACTOR VALVE		
26	86193360	1	STEM, EXTRACTOR VALVE		
27	86193200	1	SPRING, EXTRACTOR VALVE		
28	86192410	1	SEAT, EXTRACTOR VALVE		
29	86183160	1	HLDR, VLV STEM-EXTRACTOR VL		
30	86189510	1	O-RING, .114 ID .254OD		
31	86189520	1	O-RING, .551ID .691OD		
32	86174500	1	BACK-UP, .250DIA		
33	86174630	1	BDY, EXTRACTOR VLV		
34	86179250	1	DEC, WD HD TITANIUM		
35	86341590	6	CHECK VALVE, NOZZLE WD		
36	86182850	1	HANDLE GRIP ASSEMBLY 2.0"		INCLUDES ITEMS 1, 19, 20

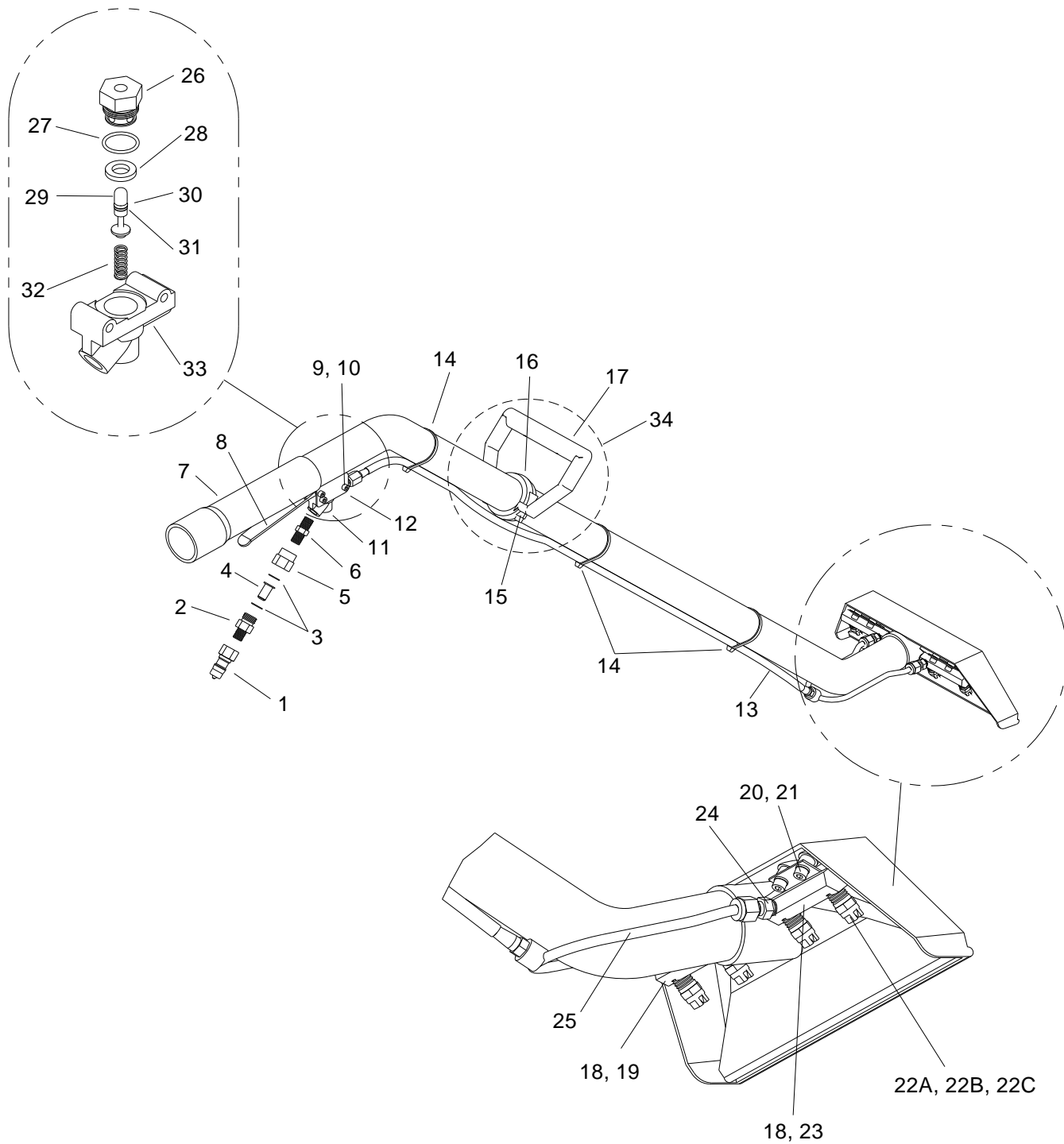
▲ MEASURE AND MATCH EXISTING HOSE LENGTH.

Wand - Ergo Titanium Six Jet - Optional

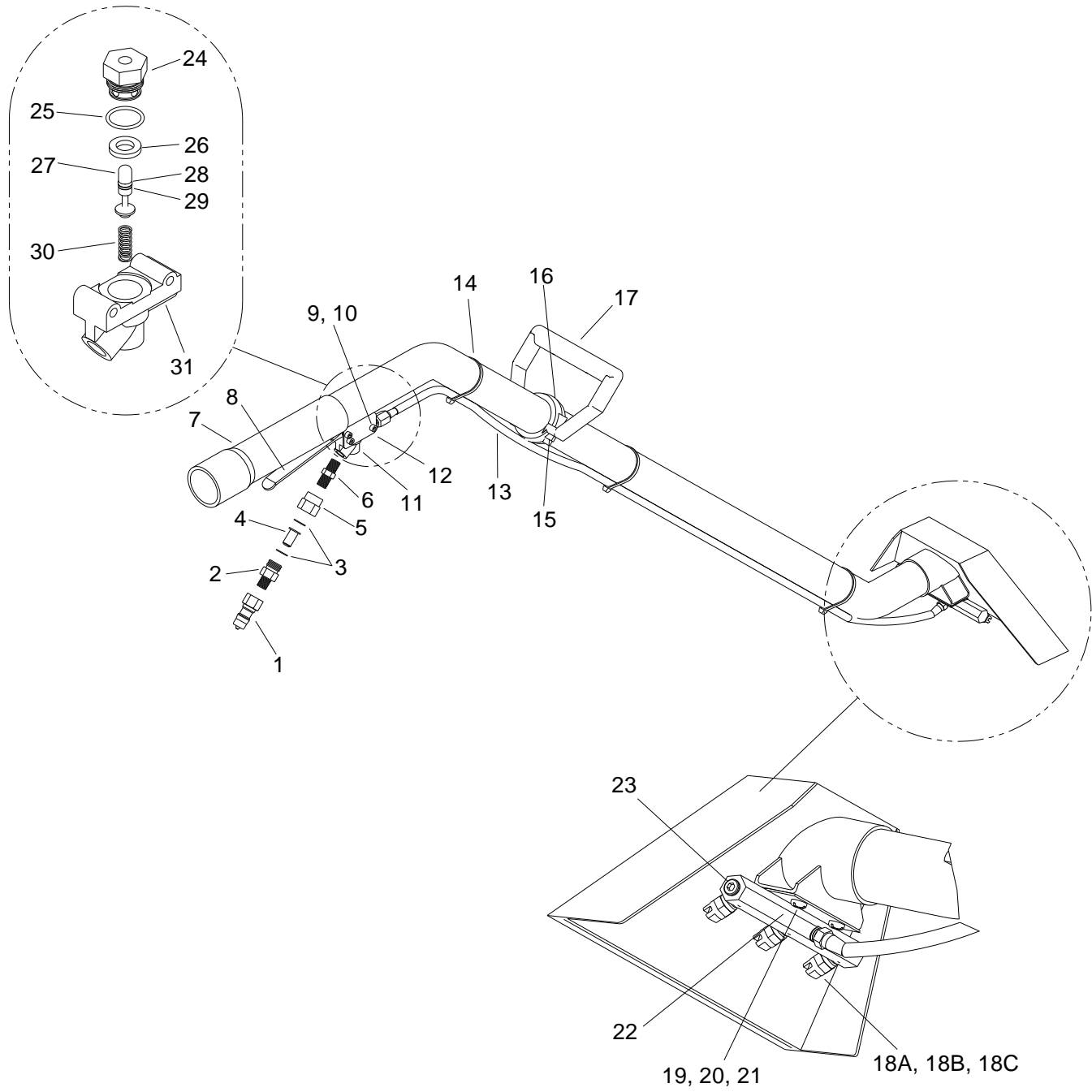


REF	PART NO.	QTY	DESCRIPTION	SERIAL NO. FROM	NOTES
-	86326900	1	WAND, ERGO TI		COMPLETE
1	86195560	1	WAND/HEAD WELDMENT		
2A	86182820	1	GUN, PRESS WASH TM		
2B	86011740	1	YG5000 SPRAY GUN ASM		
3	86188590	1	NIPPLE, 1/4 X 5 SS		
4	86175760	1	BRKT, HNDL, CLMP		
5	86277760	2	SCR, 8-32 X 1/4 SHCS SS		
6	86188280	1	NIP, 3/8 X 1/4 HX SST		
7	86177870	1	CONN, 1/4FP X 11/16-16F BR		
8	86193490	1	STRNR, JET 50 MESH		
9	86177860	1	CONN, 1/4 X 11/16-16M		
10	86005580	1	NIP, 1/4 FPT QD		
11	86195600	1	WASHER, BLK WD		
12	86195610	1	WASHER, FLAT SS WD		
13	86179020	1	DEC, WD HD (CAST SST) TM		
14	86177650	1	CONN, 1/4P X 1/4T BR		
15	86031580	1	HOSE, 3/16 X 40-1/2		
16	86183110	1	HDL, TITANIUM WND W/SPYR		
17	86182120	1	GRIP, BLK HANDLE		
18	86177150	2	CLAMP, #38 HOSE SS		
19	86194450	2	TIP, SPRY 9501 X 1/8P SST		
20	86270990	4	NUT, 10-32 HEX SS NYLOCK		
21	86194580	4	TIP, SPRAY 8001 SST 1/8 VJE		
22	86187620	1	MNFLD, LT TITAN		
23	86177710	2	CONN, 1/8P X 1/4T COMP BR		
24	86187610	1	MNFLD, RT TITAN		
25	86190180	2	PLG, 1/8 SOCHD BR		
26	86175660	1	BRKT, MANIFOLD, WAND		
27	86341590	6	CHECK VALVE, NOZZLE WD		
-	86186100	1	KIT, REPAIR 17-803025		

Wand - Quad Jet - Optional

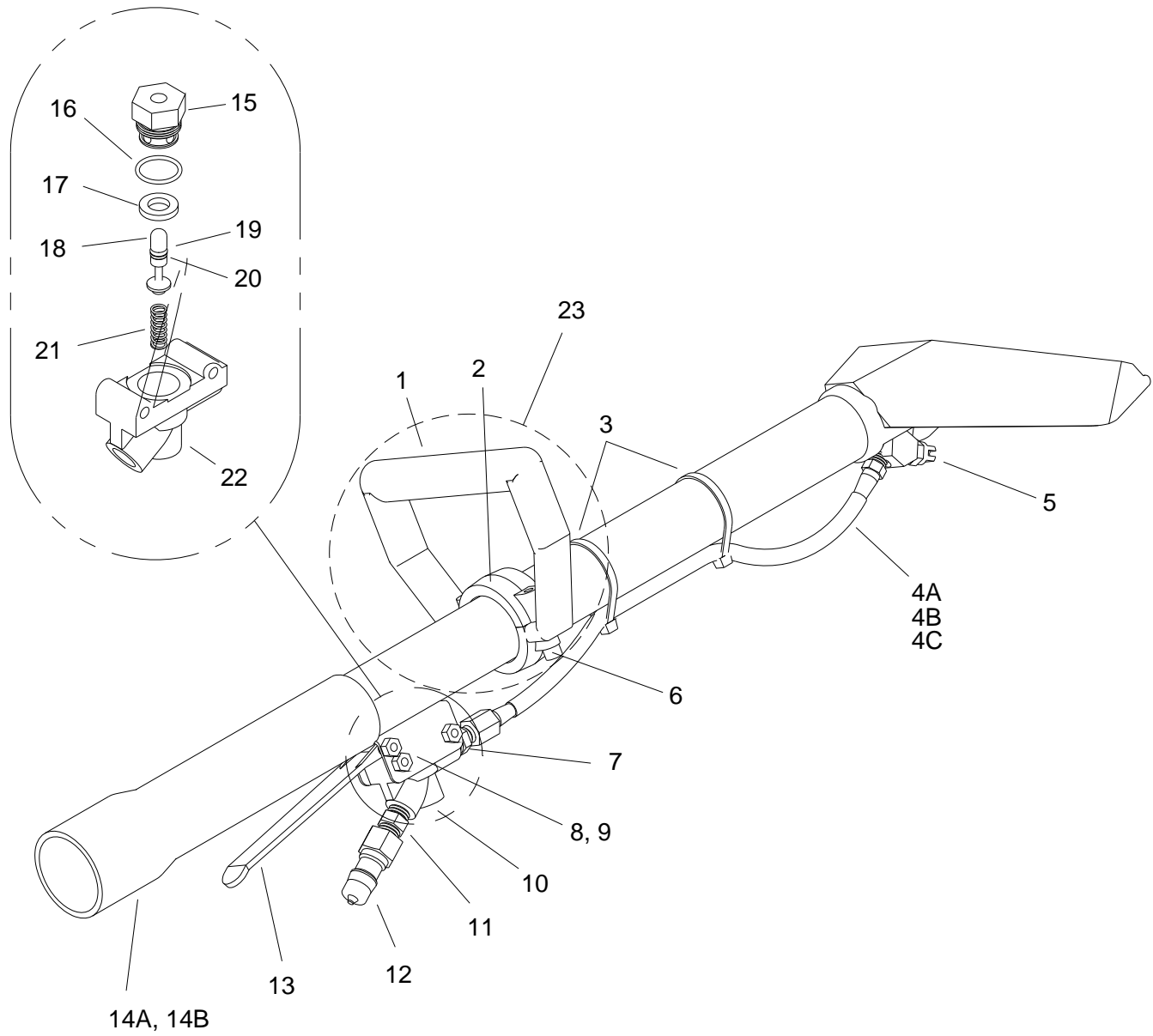


REF	PART NO.	QTY	DESCRIPTION	SERIAL NO. FROM	NOTES
-	86285570	-	WAND, TM, QJW (95015) PC		COMPLETE
-	86285580	-	WAND, TM, QJW (9502) PC		COMPLETE
-	86285560	-	WAND, TM QJW (9501) PC		COMPLETE
-	86285540	-	WAND, TM, QJW, (9501) NO DECAL		COMPLETE
1	86005580	-	NIPPLE, 1/4 FPT QD		
2	86177860	1	CONN, 1/4P X 11/16-16M		
3	86195570	1	WASHER, NYLON		
4	86193490	2	STRAINER, JET 50 MESH		
5	86177870	1	CONN, 1/4FP,11/16-16R BR		
6	86247680	1	NIPPLE, 1/4 HEX		
7	86280020	1	SLEEVE, WD HDL 9.5		
8	86194650	1	TRIGGER, WD VLV		
9	86192030	3	SCR, CAP 10-32X 1-1/4 SOCH		
10	86270990	3	NUT, 10-32 HEX NYLOCK SS		
11	86174120	1	ASSY, EXTRCTR VLV		
12	86177650	1	CONN, 1/4P X 1/4T BR		
13	86183970	1	HOSE, 3/16 X 43-1/2 (1/8P X 1/4)		
14	86265730	3	TIE, CABLE 8" WHT		
15	86273310	2	SCR, CAP 1/4-20 X 1-1/4 SOC		
16	86198160	1	HOLD DOWN, WD HDL		
17	86182840	1	BODY, WD HDL		
18	86190180	2	PLUG, 1/8 SOCHD BR		
19	86043300	1	ASSY, L S-BEND MNFLD		
20	86273450	4	SCR, CAP 10-24 X1/4 SOCHD		
21	86279470	4	WASHER, #10 SPLIT LOCK		
22A	86194400	4	TIP, SPRY 95015X1/8P SST		89238
22B	86194410	4	TIP, SPRY 9502X1/8P SST		89239
22C	86194450	4	TIP, SPRY 9501X1/8P SST		89237 89235 (NO DECAL)
23	86043310	1	ASSY, RT S-BEND MNFLD		
24	86177710	2	CONN, 1/8PX1/4T COMP BR		
25	86174030	1	ASSY, S-BEND MNFLD		
26	86183160	1	HOLDER, VLV STEM-EXTRCTR VL		
27	86189520	1	O-RING, .551 ID .691 OD		
28	86192410	1	SEAT, EXTRCTR VLV		
29	86193360	1	STEM, EXTRCTR VLV		
30	86174500	1	BACK-UP, .250 DIA		
31	86189510	1	O-RING, .144 ID .254 OD		
32	86193200	1	SPRING, EXTRCTR VLV		
33	86174630	1	BODY, EXTRCTR VLV		
34	86182840	1	HANDLE GRIP ASSEMBLY 1.75"		INCLUDES PARTS 15, 16, 17
-	86179020	1	DECAL, WD HD (CAST SS)		
-	86186160	-	KIT, REP-WD VLV		INCLUDES PARTS 26-32

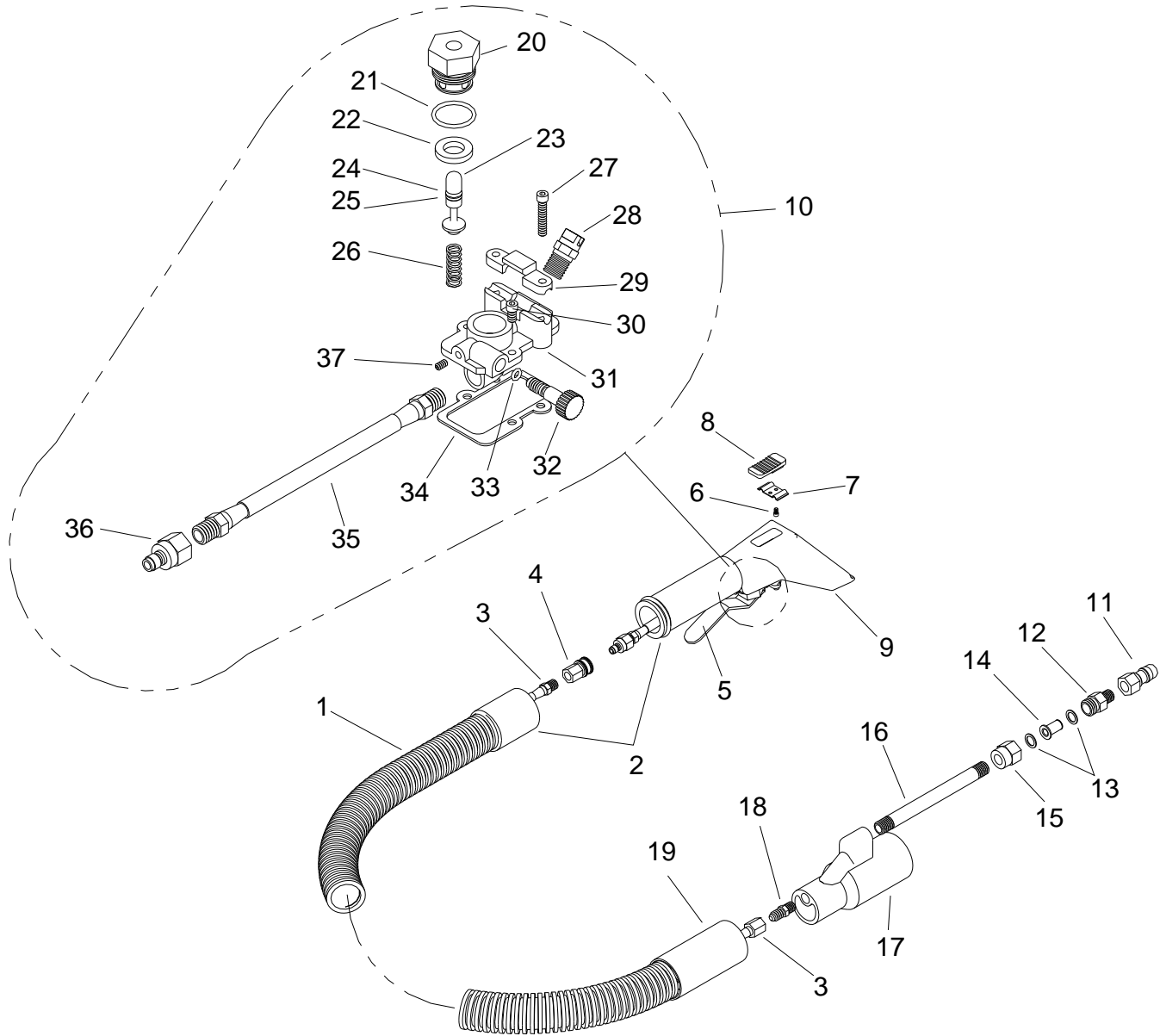


REF	PART NO.	QTY	DESCRIPTION	SERIAL NO. FROM	NOTES
-	86285520	-	WAND, TJW (9502) PC		COMPLETE
-	86285510	-	WAND, TJW, (95015) CUBXL		COMPLETE
-	86285530	-	WAND, TJW, (9503) PC		COMPLETE
1	86005580	1	NIPPLE, 1/4 FPT QD		
2	86177860	1	CONN, 1/4P X 11/16-16M		
3	86195570	2	WASHER, NYLON		
4	86193490	1	STRAINER, JET 50MESH		
5	86177870	1	CONN, 1/4FP, 11/16-16R BR		
6	86247680	1	NIPPLE, 1/4 HEX		
7	86280020	1	SLEEVE, WD HDL 9.5		
8	86194650	1	TRIGGER, WD VLV		
9	86192030	3	SCR, CAP 10-32X 1-1/4 SOCH		
10	86270990	3	NUT, 10-32 HEX NYLOCK SS		
11	86174120	1	ASSY, EXTRCTR VLV		
12	86177650	1	CONN, 1/4P X 1/4T BR		
13	86183970	1	HOSE, 3/16X49 (1/8P X 1/4FT)		
14	86265730	3	TIE, CABLE 8" WHT		
15	86273310	1	SCR, CAP 1/4-20 X 1-1/4 SOC		
16	86198160	1	HOLD DOWN, WD HDL		
17	86182840	1	BODY, WD HDL		
18A	86194410	3	TIP, SPRY 9502X1/8P SST		89233
18B	86194400	3	TIP, SPRY 9501X1/8P SST		89232
18C	86194520	3	TIP, SPRY 9503X1/8P SST		89234
19	86274290	2	SCR, 10-32 X 3/8 PPHMS SS		
20	86279470	2	WASHER, #10 SPLIT LOCK		
21	86270800	2	NUT, 10-32 HEX SS		
22	86187700	1	MANIFOLD, WD TRI-JET		
23	86190180	2	PLUG, 1/8 SOCHD BR		
24	86183160	1	HOLDER, VLV STEM-EXTRCTR VL		
25	86189520	1	O-RING, .551 ID .691 OD		
26	86192410	1	SEAT, EXTRCTR VLV		
27	86193360	1	STEM, EXTRCT VLV		
28	86174500	1	BACK-UP, .250DIA		
29	86189510	1	O-RING, .114ID .254OD		
30	86193200	1	SPRING, EXTRCTR VLV		
31	86179020	1	BODY, EXTRCTR VLV		
-	86179020	-	DECAL, WD HD		
-	86186160	-	KIT, REP-WD VLV		INCLUDES PARTS 24-30

Stair Tool - Optional

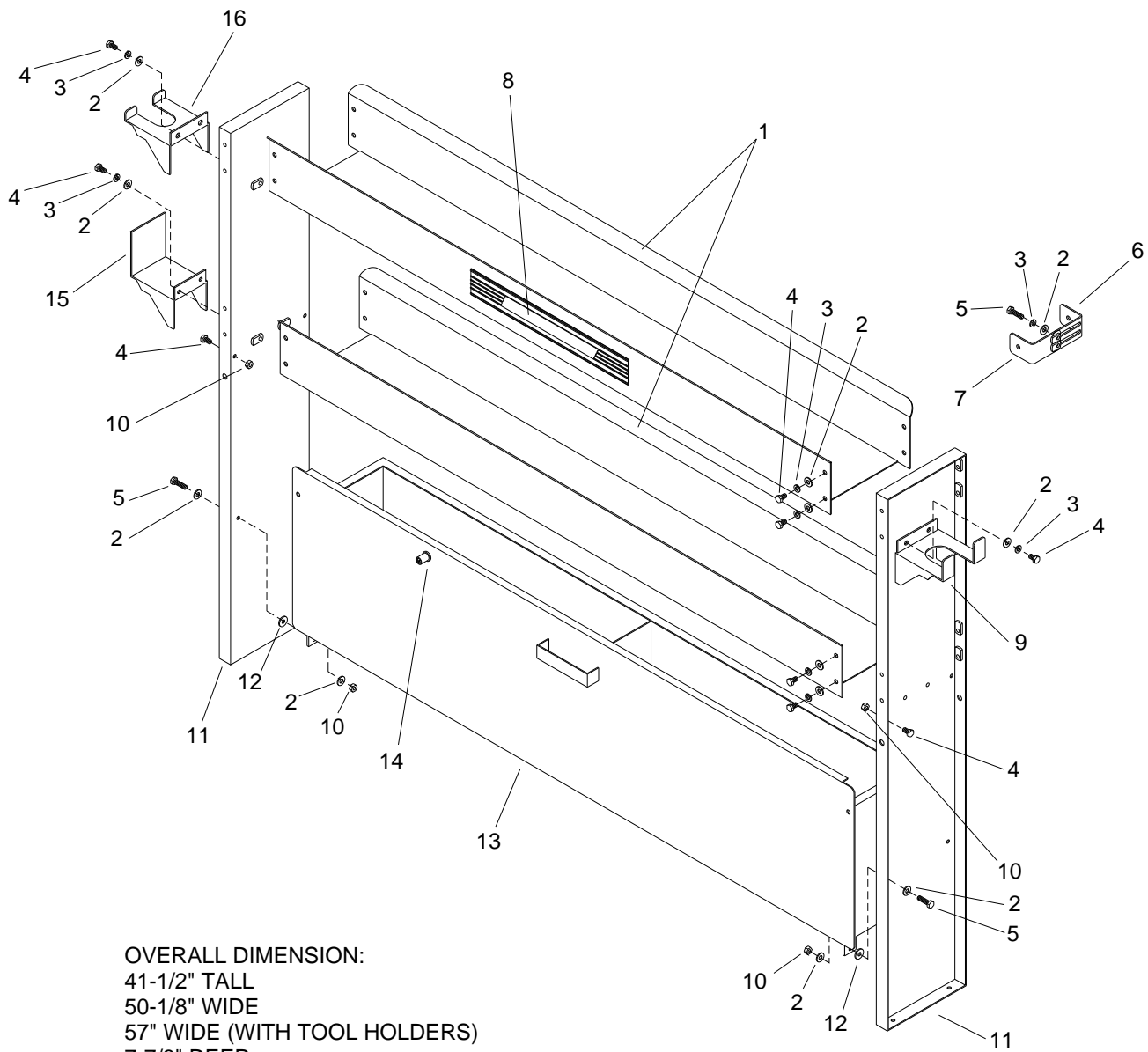


REF	PART NO.	QTY	DESCRIPTION	SERIAL NO. FROM	NOTES
-	86285350	-	TL, STAIR, LNG, TM DJ (80015)		COMPLETE
-	86285290	-	TL, STAIR, SHT, TM (80015)		COMPLETE
1	86198080	1	BODY, WD HDL PORT		
2	86198170	1	HOLD DOWN, WD HDL PORT		
3	86265730	2	TIE, CABLE 8" WHT		
4A	86183710	1	HOSE, 3/16X13-3/4 (1/8PX1/4)		
4B	86184000	1	HOSE, 3/16X7-1/2 (1/8P X 1/4F)		
4C	86356140	1	HOSE, 3/16 X 9 (1/8PX1/4FT)MET		
5	86194410	1	TIP, SPRY 9502X1/8P SST		
6	86273310	2	SCR, CAP 1/4-20 X 1-1/4 SOC		
7	86177650	1	CONN, 1/4P X 1/4T BR		
8	86192030	3	SCR, CAP 10-32X1-1/4 SOCH		
9	86270990	3	NUT, 10-32 HEX NYLOCK SS		
10	86174120	1	ASSY, EXTRCTR VLV		
11	86247680	1	NIPPLE, 1/4 HEX		
12	86005580	1	NIPPLE, 1/4 FPT QD		
13	86194650	1	TRIGGER, WD VLV		
14A	86280020	1	SLEEVE, WD HDL 9.5		
14B	86040950	1	SLEEVE, STAIR TL HDL 7-1/8		
15	86183160	1	HOLDER, VLV STEM-EXTRCTR VL		
16	86189520	1	O-RING, .551 ID .691 OD		
17	86192410	1	SEAT, EXTRCTR VLV		
18	86193360	1	STEM, EXTRCTR VLV		
19	86174500	1	BACK-UP, .250DIA		
20	86189510	1	O-RING, .114 ID .254 OD		
21	86193200	1	SPRING, EXTRCTR VLV		
22	86174630		BODY, EXTRCTR VLV		
23	86135760	1	HANDLE GRIP ASSEMBLY 1.5"		INCLUDES PARTS 1, 2, 6
-	86178970		DECAL, STAIR TL		
-	86186160		KIT, REP-WD VLV		INCLUDES PARTS 15-21
-	86178480	-	CPLG,UPHLST TL HOS (COUPLER)		

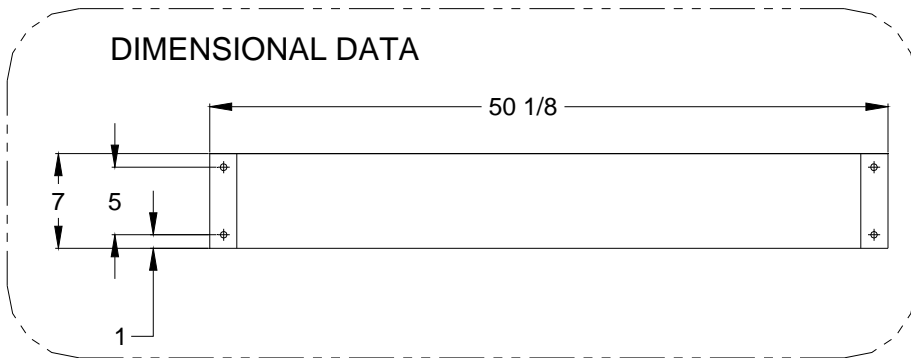


REF	PART NO.	QTY	DESCRIPTION	SERIAL NO. FROM	NOTES
-	86285260	1	TL, UPHOLST, PC (80015)		COMPLETE
1	86280240	2	HOSE, VAC 1-1/4X10'		
2	86178660	1	CUFF, SWIV 1-1/4HX1-1/4T		
3	86184670	1	HOSE, 3/16X119-1/2 (1/8PX1/4FT)		
4	86179720	1	DSC, 1/8FC1/8FP SST		
5	86178550	1	UPHOLSTERY TL TRIGGER		
6	86273370	1	SCR, CAP 4-40 X7/32 SHCS SS		
7	86193050	1	SPRING, VAC ADJ BUTT		
8	86176080	1	BUTTON, VAC ADJ		
9	86194590	1	TOOL, UPHOLSTERY		
10	86174140	1	ASSY, UPHLST TL VLV		INCLUDES PARTS 20-26, 28, & 31- 37
11	86005580	1	NIPPLE, 1/4 NPT QD		
12	86177860	1	CONN, 1/4P X 11/16-16M		
13	86195570	1	WASHER, NYLON		
14	86193490	1	STRAINER, JET 50MESH		
15	86177870	1	CONN, 1/4FPX11/16-16F BR		
16	86188320	1	NIP, 1/4X5 SST		
17	86178520	1	COUPLER, UPHLST TL		
18	86177660	1	CONN, 1/8P X 1/4T		
19	86178630	1	CUFF, 1 1/4H X 1 1/2T GRY		
20	86183160	1	HOLDER, VLV STEM-EXTRCTR VL		
21	86189520	1	O-RING, .551 ID .691 OD		
22	86192410	1	SEAT, EXTRCTR VLV		
23	86193360	1	STEM, EXTRCTR VLV		
24	86174500	1	BACK-UP, 250DIA		
25	86189510	1	O-RING, .144 ID .254 OD		
26	86193200	1	SPRING, EXTRCTR VLV		
27	86273350	2	SCR, 6-32 X 1 SCHD SS		
28	86194500	1	TIP, SPRY 80015X1/8P SST		
29	86178540	1	CSTG, TRIGGER CLMP		
30	86273360	2	SCR, CAP 6-32X3/8 SOCHD		
31	86195210	1	VALVE, UPHLST TL		
32	86195530	1	VALVE, ADJ-UPHLST TL VLV		
33	86189460	1	O-RING, 5/32IDX9/32OD VIT		
34	86182570	1	GASKET, UPHLST TL VLV		
35	86183770	1	HOSE, 3/16X6-1/2 (1/8P BS)		
36	86179740	1	D SC, 1/8MX1/8FP SST		
37	86192070	1	SCR, SET 3-32 X 1/4 SOCHD		
-	86178980	1	DECAL, UPHLST TL		
-	86186160	1	KIT, REPAIR-WAND VLV		INCLUDES PARTS 20-26

Shelf Assembly - Optional



OVERALL DIMENSION:
 41-1/2" TALL
 50-1/8" WIDE
 57" WIDE (WITH TOOL HOLDERS)
 7-7/8" DEEP



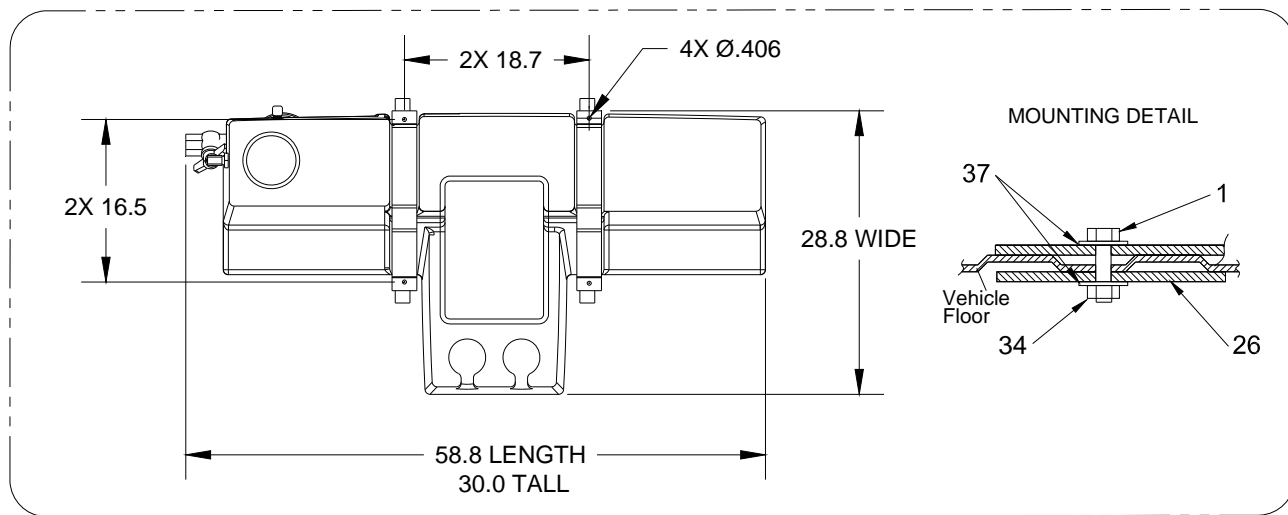
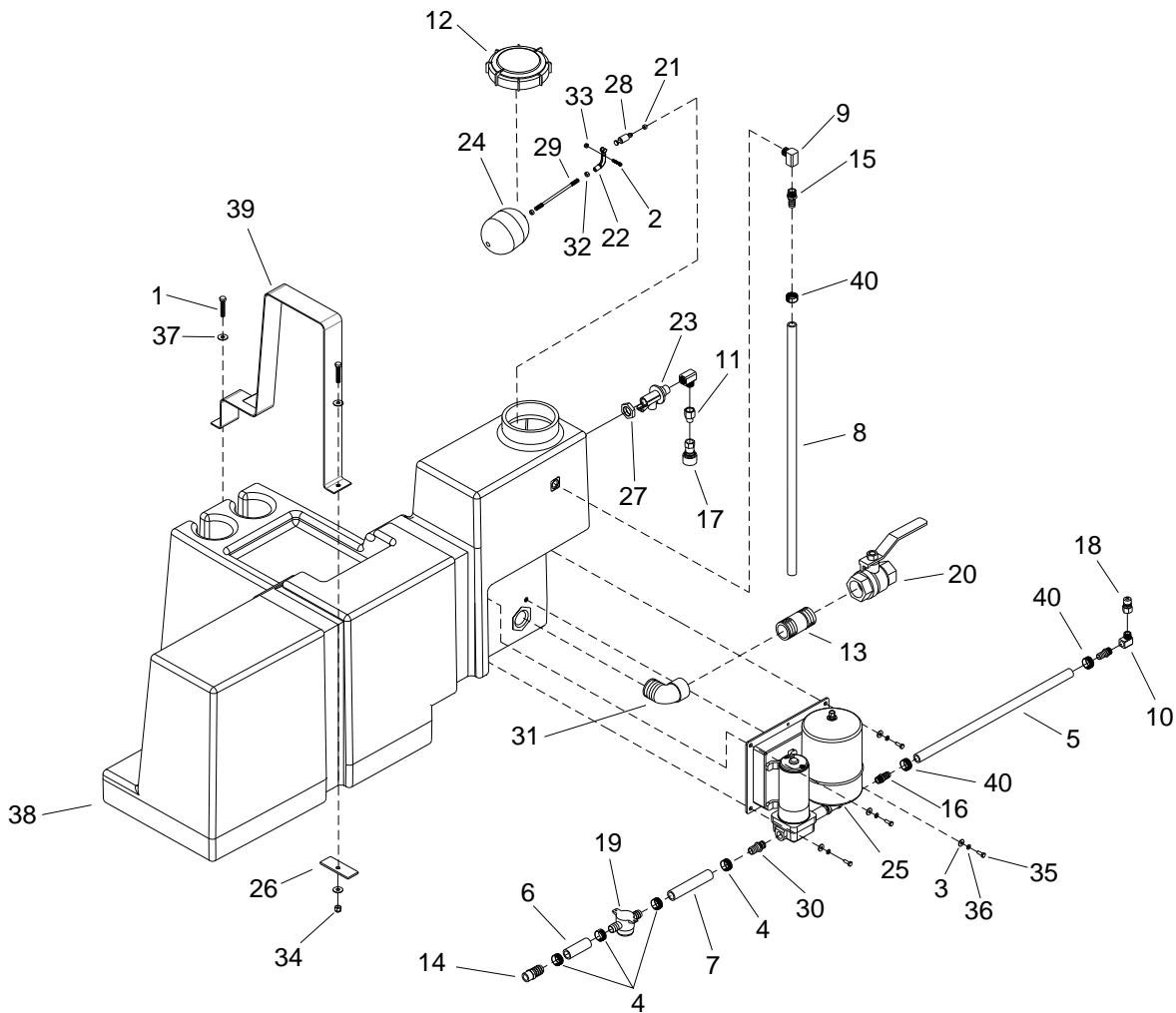
REF	PART NO.	QTY	DESCRIPTION	SERIAL NO. FROM	NOTES
-	86354970	1	ASM, VAN STORAGE UNIT		COMPLETE
1	86363820	2	SHELF, LOWER TM		
2	86270330	20	FLATWASHER, 1/4		
3	86010780	20	WASHER, 1/4 SPLIT LOCK		
4	86274760	20	SCR, 1/4-20 X 1/2 HHCS PLTD		
5	86274750	4	SCR, 1/4-20 X 3/4 HHCS PLTD		
6	86398940	2	BRACKET, SLOTTED SHELF ASSY		
7	86175730	2	BRKT, ADJUST MTG HLDR		
8	86410010	1	LABEL, PROCHEM		
9	86363850	1	HLDR, STAIR TL		
10	86270620	4	LOCK NUT, 1/4-20 HXHD		
11	86024890	2	PANEL, SHLF END		
12	86278840	2	WASHER, NYLON		
13	86024900	1	DRAWER, SHELF GRAY		
14	86186850	1	LATCH, ADJ GRIP		
15	86363840	1	HLDR, UP TL HOS		
16	86363830	1	HLDR, UPHLST TL		

Water Tank Dual with Demand Pump - Optional

REF	PART NO.	QTY	DESCRIPTION	SERIAL NO. FROM	NOTES
-	86041730	-	TANK, DUAL SADDLE W/DMD PUMP		COMPLETE
-	86041710	-	SINGLE SADDLE TANK W/DMND PMP		COMPLETE
1	86048310	4	HOLD DOWN, SADDLE TANK GRAY		
2	86279510	16	WASHER, 3/8 FLAT		
3	86010790	16	WASHER 3/8 SPLIT LOCK		
4	86277830	16	SCR, 3/8-16 X 2' HXHD		
5	86176400	4	CAP, WATER BOX		
6	86180170	2	ELL, STREET 1/2 BR		
7	86181370	5	FTTG, BRB 1/2P X 3/4H BR		
8	86177310	4	CLMP, HOSE #16 1-1/2 MIN 1-3/4		
9	86280590	1	HOSE, WTR 3/4 X 96		
10	86194120	1	TEE, 1/2 BRASS		
11	86043320	2	ASSY, BASE SADDLE TANK GRAY		
12	86030990	2	MOLDING, WATER TANK		
13	86190500	2	PLUG, 1/2 BRASS HXHD		
14	86190170	8	PLATE, INSTALL MT		
15	86005770	9	NUT, 3/8-16 HEX NYLOCK		
-	86285190	1	SHLR, CHEM, 10-GAL JUG		

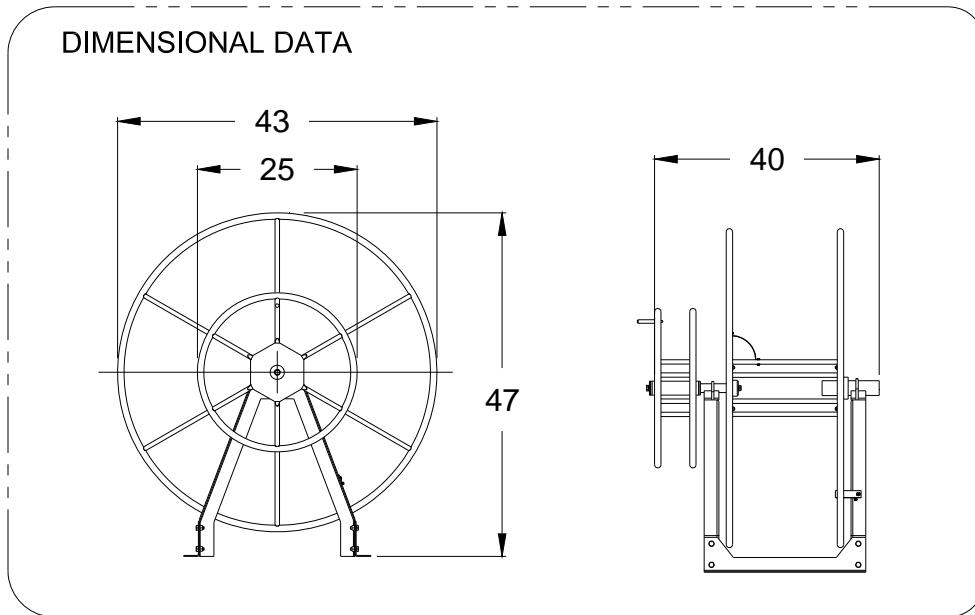
REF	PART NO.	QTY	DESCRIPTION	SERIAL NO. FROM	NOTES
-	86191390	1	PUMP ONLY, TM DEMAND		
-	86186030	1	KIT SERVICE DEMAND PMP		
1	86006760	4	SCR, 5/16-18 X 3/4 HHCS GR5 PL TDL		
2	86279130	4	WASHER, 5/16 SPLIT LOCK PLTD		
3	86278830	4	WASHER, 5/16 FLAT		
4	86177310	4	CLMP, HOSE #16 1-1/2 MIN 1-3/4		
5	86400880	1	HOSE, 3/4 ID WTR X 4.5"		
6	86410850	1	HOSE, 3/4" ID X 5.5"		
7	86280550	1	HOSE, 5/8ID X 55"		
8	86181400	1	FTTG, BRB 3/8P X 5/8H BR		
9	86179630	1	DISCONNECT, 3/8M X 3/8FP		
10	86180900	1	FILTER, DEMAND PUMP		
11	86190740	1	PUMP, WATER BOOSTER		
12	86186120	1	KIT, PORT		
13	86180210	1	ELBOW, ST 3/8 BR		
14	86177260	2	CLMP, HOSE #10 9/16 MIN 1-1/		
-	86370150	1	ASSEMBLY, 40 PSI PRESS SWITCH		NOT SHOWN

Auxiliary Water Tank with Pump-Optional

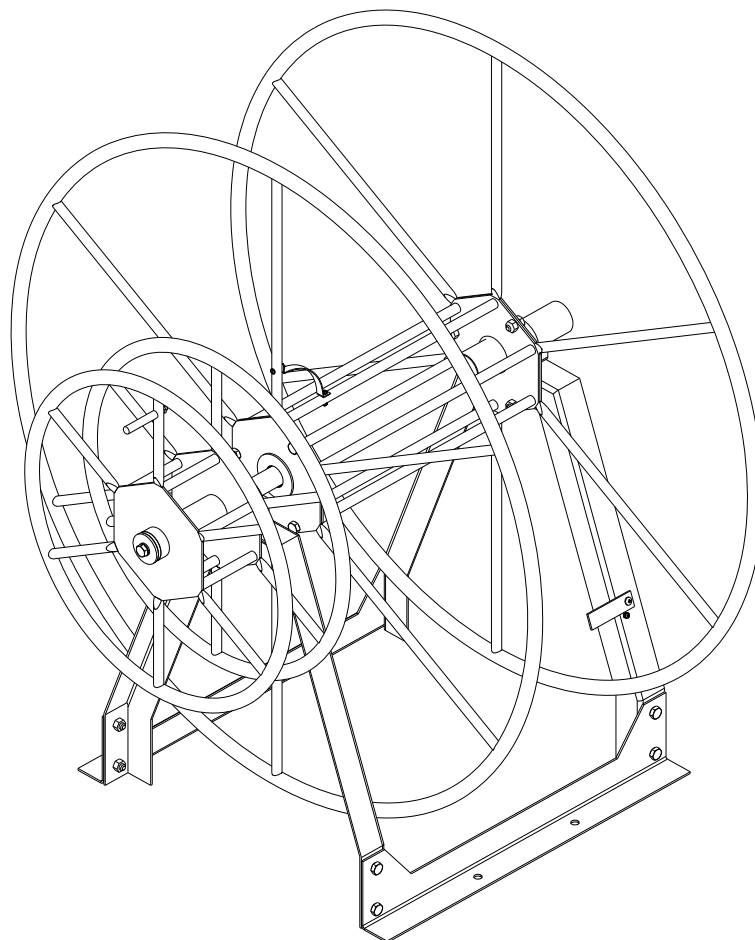


Auxiliary Water Tank with Pump-Optional

REF	PART NO.	QTY	DESCRIPTION	SERIAL NO. FROM	NOTES
-	86041580	1	ASSY, AUX WTR TNK W/PMP		COMPLETE
1	86277830	4	SCR, 3/8-16 X 2" HXHD		
2	86277850	1	SCR, 10-32 X 1" SOCHD SST		
3	86270330	4	FLATWASHER, 1/4		
4	86177310	4	CLMP, HOSE #16 1-1/2 MIN 1-3/4		
5	86280550	1	HOSE, 5/8 ID X 55"		
6	86410800	1	HOSE, 3/4" ID X 3"		
7	86280420	1	HOSE, 3/4 ID WTR X5.5"		
8	86280140	1	HOSE, 5/8 ID X 30 1/2		
9	86180170	2	ELL, STREET 1/2 BR MACH		
10	86180210	1	ELL, ST 3/8 BR		
11	86191600	1	RED, 1/2FP X 3/8P BR		
12	86176400	1	CAP, WATER BOX		
13	86188480	1	NIP, 3/4 X 2-1/2 BR		
14	86181320	1	FTTG, BRB 3/4PX3/4H BR		
15	86181360	1	FTTG, BRB 1/2 X 5/8H BR		
16	86181400	2	FTTG, BRB 3/8P X 5/8 BR		
17	86179710	1	DISCONNECT 3/8F X 3/8FP		
18	86179630	1	DISCONNECT 3/8M X 3/8FP		
19	86180900	1	FILTER, DEMAND PUMP		
20	86195330	1	VLV, BALL 3/4FP BS		
21	86192380	1	SEAT, FLOAT VLV TM		
22	86173820	1	ARM, PIVOT-FH VLV		
23	86174610	1	BDY, FLOAT VLV		
24	86348200	1	BALL, 4" DIA X 5"L, WHITE FLOAT		
25	86190740	1	PMP, WTR BOOSTER FLOJET 2		
26	86190170	4	PLATE, INSTALL MT		
27	86189010	1	NUT, FLOAT VALVE		
28	86028860	1	PISTON, FLOAT VLV PISTON		
29	86181150	1	FLOAT ROD, TM		
30	86186120	1	KIT, PORT DEMAND PUMP		
31	86180260	1	ELL, 3/4 ST BR		
32	86270770	2	NUT, 1/4-20 HEX		
33	86270990	1	NUT, 10-32 HEX NYLOCK SS		
34	86005770	4	NUT, 3/8-16 HEX NYLOCK		
35	86274750	4	SCR, 1/4-20 X 3/4 HHCS PLTD		
36	86010780	4	WASHER, 1/4 SPLIT LOCK PLTD		
37	86279510	8	WASHER, 3/8 FLAT		
38	86369300	1	TNK, FRESH WATER 70G		
39	86369410	2	WELDMENT, WTR CNSL TNK STRAP		
40	86177260	3	CLMP, HOS #10 9/16MIN 1-1/		
-	86261290	1	HARNESS, WTR PMP SADDLE TANK		NOT SHOWN

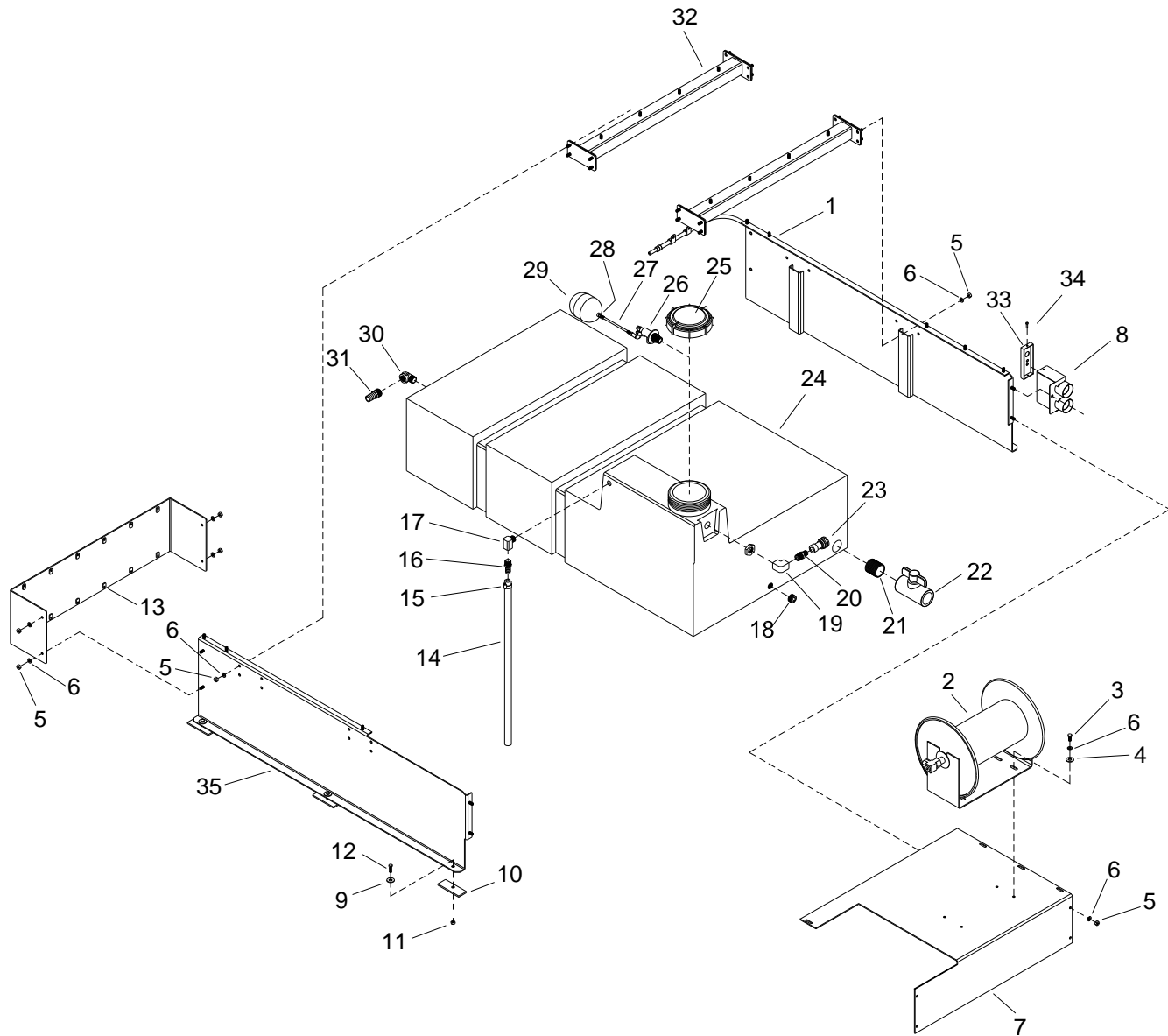


OVERALL DIMENSIONS: 47" TALL
40" WIDE



REF	PART NO.	QTY	DESCRIPTION	SERIAL NO. FROM	NOTES
-	86373960	1	HOSE REEL, 300 FT W/SMALL REEL		COMPLETE

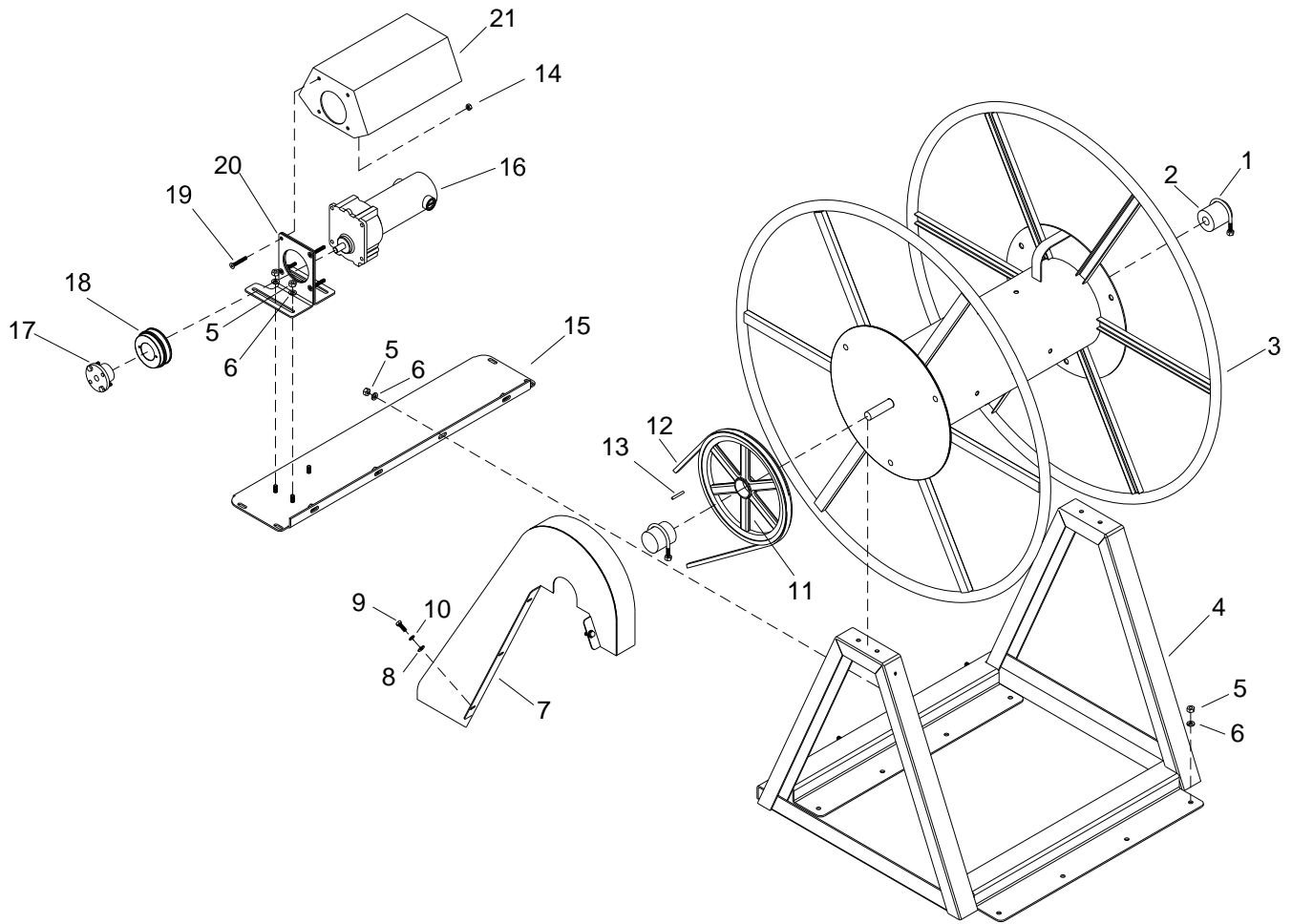
Motorized Hose Reel - Tank - Optional



REF	P/N	QTY	DESCRIPTION	SERIAL NO. FROM	NOTES
-	86412620	1	MOTORIZED HOSE REEL PC		
1	86412630	1	BASE, RT SD HOE RL MTR		●
2	86191830	1	RL, HOS HP SOL		
3	86006760	4	SCR, 5/16-18 X 3/4 HHCS		
4	86278830	4	WASHER, 5/16 FLAT PLTD		
5	86005650	24	NUT, 5/16-18 HEX		
6	86279130	28	WASHER, 5/16 SPLIT LOCK PLTD		
7	86412650	1	BASE, HOS RL FRT & TOP, GRY		●
8	86046520	1	BX, SW HOS RL MTR		
9	86279510	6	WASHER, 3/8 FLAT		
10	86190170	6	PLATE, INSTALL MT		
11	86005770	6	NUT, 3/8-16 HEX NYLOCK		
12	86275150	6	SCR, 3/8-16 X 1 3/4 HHCS PLT		
13	86412660	1	PNL, DEMAND PMP MT, GRY		●
14	86410760	1	HOSE, 5/8" ID X 27"		
15	86177310	2	CLMP, HOSE #16 1-1/2 MIN 1-3/4		
16	86181360	1	FTTG, BRB 1/2P X 5/8 BR		
17	86180170	1	ELL, STREET 1/2 BR		
18	86190190	1	PLG, 3/4 SOCHD BR		
19	86180250	1	ELL, 1/2 BR		
20	86188210	1	NIP, 1/2 X 3/8 HEX BR		
21	86188470	1	NIP, 1-1/2 X CL PVC (SCH80)		
22	86195010	1	VALVE, BALL PVC 1-1/2FP		
23	86179710	1	DSC, 3/8F X 3/8FP		
24	86030980	1	MLDG, WTR TANK 95GAL W/OVERFLW		
25	86176400	1	CAP, WATER BOX		
26	86195060	1	VALVE, FLOAT		
27	86181150	1	FLT ROD		
28	86270770	1	NUT, 1/4-20 HEX		
29	86348200	1	BALL, 4" DIA X 5"L, WHITE FLOAT		
30	86180260	1	ELL, 3/4 ST BR		
31	86181320	1	FTTG, BRB 3/4P X 3/4H BR		
32	86412670	2	BASE, CROSS BAR TB HS RL, GRY		●
33	86051770	1	PNL, SW BX CVR PLT MTR		
34	86161960	3	SCR, #8 X 1/2 PPHST BLK		
35	86412640	1	BASE, LF SD HOS RL MTR DR, GRY		●
-	86261360	1	CABLE, RETAIN VAC PLG		

● WHEN ORDERING INDICATE PART NUMBER AND COLOR

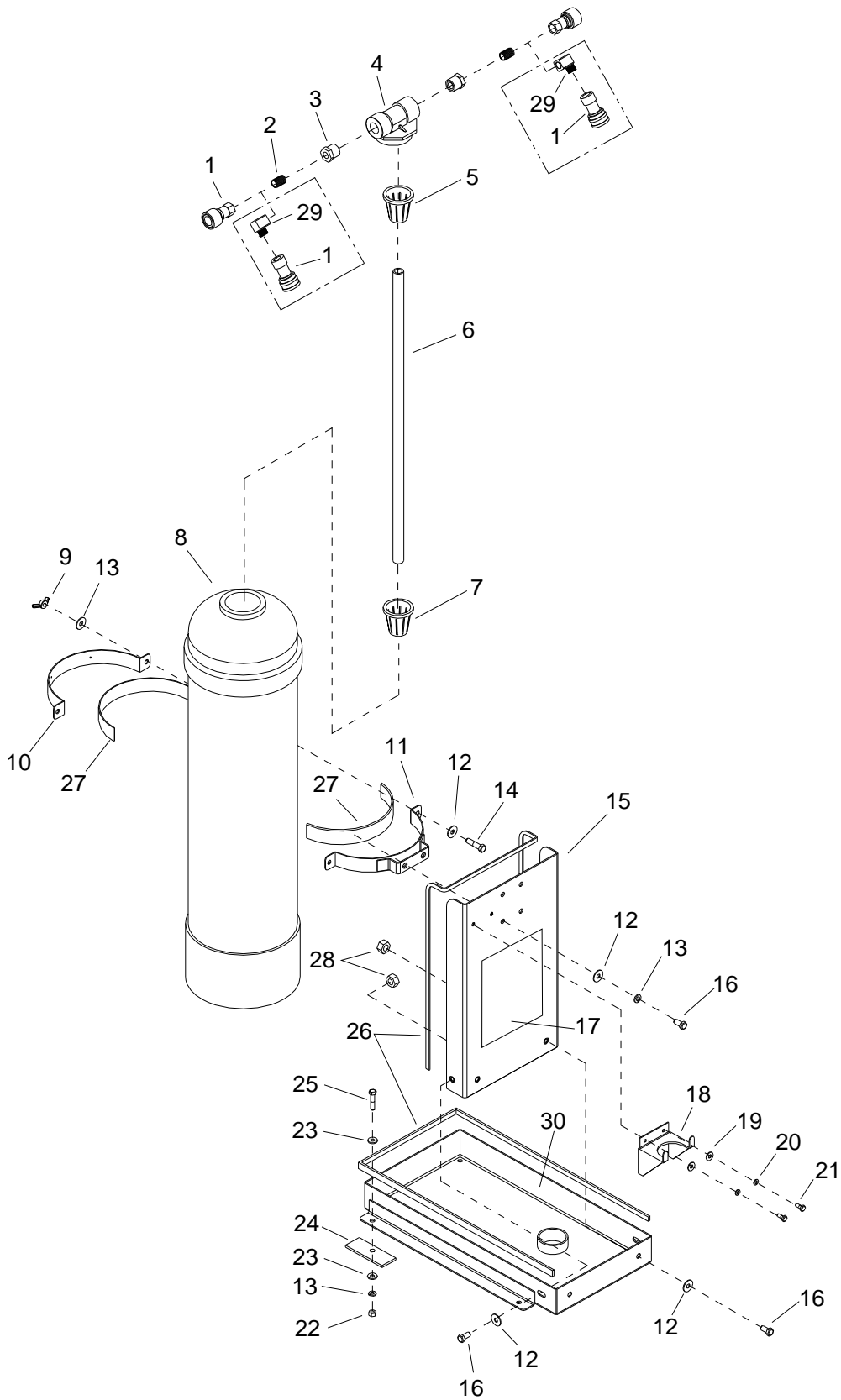
Motorized Hose Reel - Optional



REF	P/N	QTY	DESCRIPTION	SERIAL NO. FROM	NOTES:
1	86177270	2	CLAMP, MFLR 1-3/4		
2	86175990	2	BUSHING, HOSE REEL		
3	86412680	1	RL,VAC HOS-HOS RL MTR DR, GRY		●
4	86412690	1	BASE, MTR HOSE REEL, GRY		●
5	86005650	16	NUT, 5/16-18 HEX		
6	86279130	16	WASHER, 5/16 SPLIT LOCK PLTD		
7	86047910	1	GUARD, BELT MOTORIZED REEL		
8	86270330	4	FLATWASHER, 1/4		
9	86274750	4	SCR, 1/4-20 X 3/4 HHCS PLTD		
10	86010780	4	WASHER, 1/4 SPLIT LOCK PLTD		
11	86191090	1	PULL, AK104		
12	86324350	1	BELT, AX66 GOODYEAR MATCH		
13	86135960	1	KEY, 3/16 X 1 1/8		
14	86270770	4	NUT, 1/4-20 HEX		
15	86412700	1	BASE, MTR MT PNL HOS RL, GRY		●
16	86187870	1	MOT, 1/8HP 12V EP5786		
17	86185360	1	HUB, H1/2		
18	86191100	1	PULL, AK32H		
19	86192100	4	SCR, CAP 1/4-20 X 1-1/2 FLT		
20	86050110	1	MT, MTR HOS RL MTR DRIVE		
21	86047450	1	CVR, HOS RL MTR CVR		

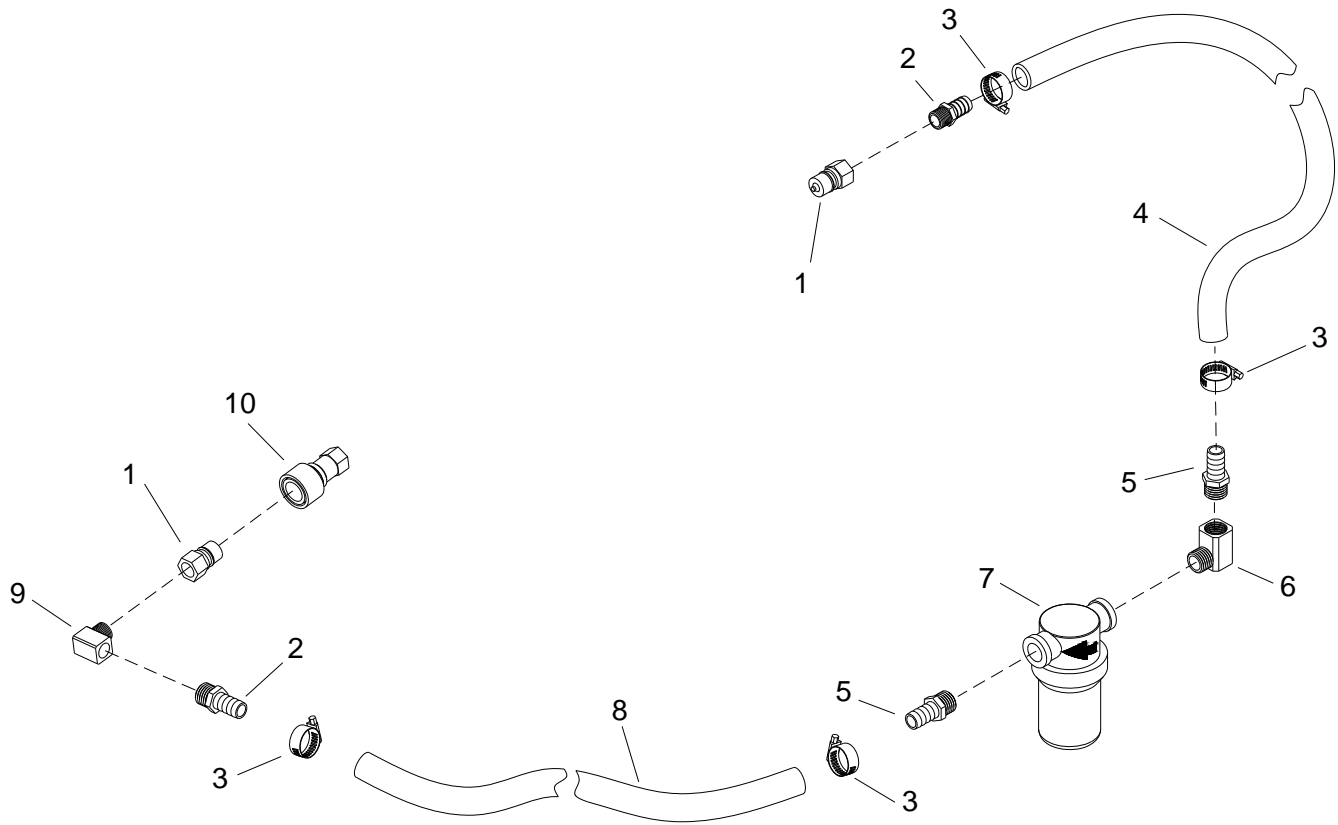
● WHEN ORDERING INDICATE PART NUMBER AND COLOR

E Z - Charge Water Softener - Tank & Tray - Optional



E Z - Charge Water Softener - Tank & Tray - Optional

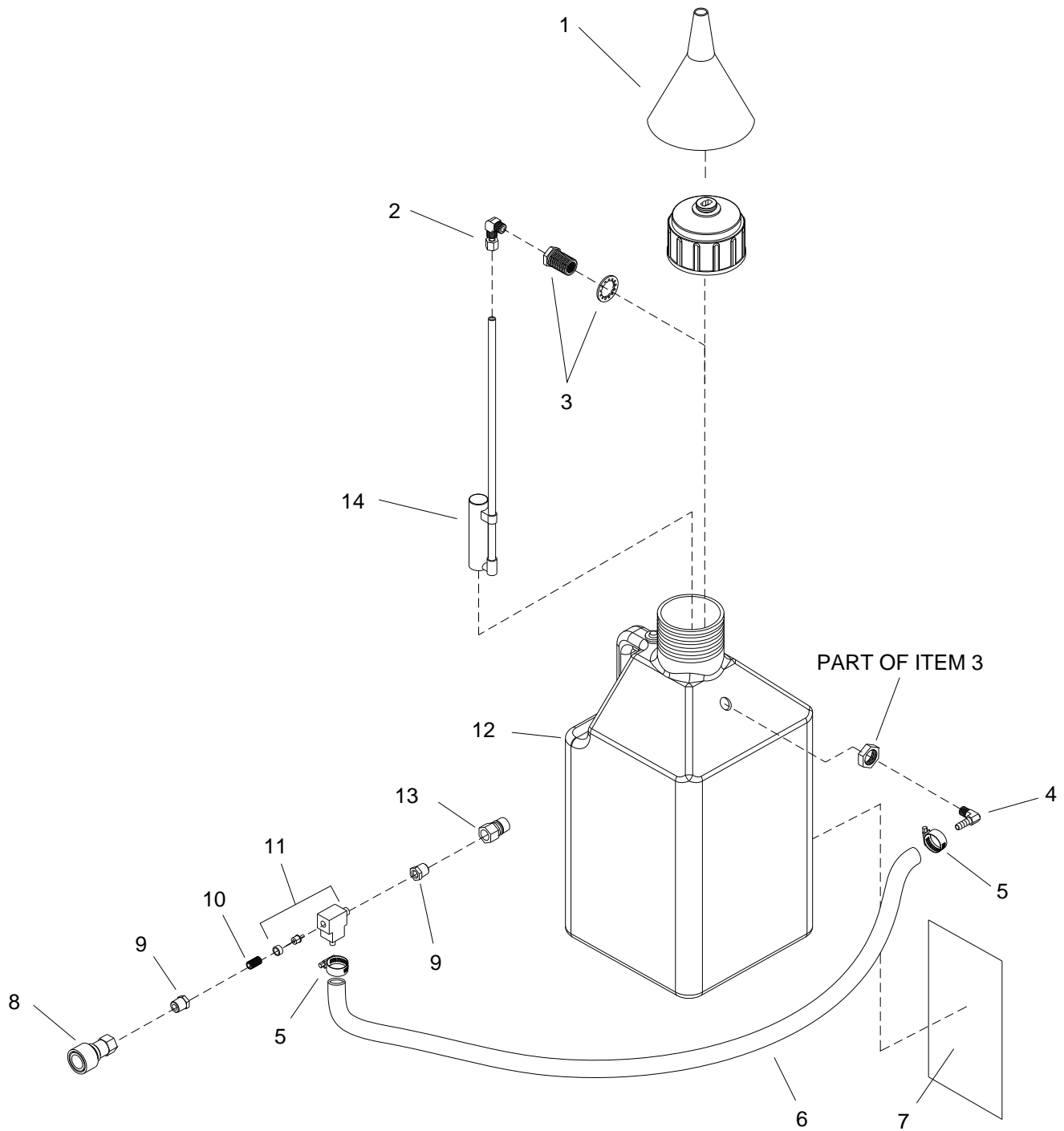
REF	PART NO.	QTY	DESCRIPTION	SERIAL NO. FROM	NOTES:
-	86041740	1	WATER SOFTENER 30" PC		COMPLETE
1	86179710	2	DCS, 3/8F X 3/8FP		
2	86188220	2	NIP, 3/8 X CL SST		
3	86175880	2	BUSH, 3/4 X 3/8 ALUM		
4	86173650	1	ADPT, TNK#50-0271		
5	86179650	1	DIST, TOP #41-2514		
6	86057920	1	TB, PVC 13/16X27"		
7	86177590	1	COLLECTOR, LWR #41-2410		
8	86349450	1	TANK, WATER SOFTNER, BLUE 30"		
9	86270710	2	NUT, WING 3/8-16		
10	86057120	1	STRAP, WTR, SOFT CLAMP		
11	86047140	1	CLAMP, TNK WTR SOFT		
12	86279510	8	WASHER, 3/8 FLAT		
13	86010790	12	WASHER, 3/8 SPLIT LOCK		
14	86275190	2	SCREW, 3/8-16 X 1.25 HHCS SS		
15	86054050	1	PNL, SOFT MTG-WTR SOFT CIR GRAY		
16	86006920	4	SCR, 3/8-16 X 3/4 HHCS GR5 PLTD		
17	86179160	1	DEC, CDNSD REGEN OPER		
18	86048330	1	HLDR, FLTR-WTR SOFT		
19	86270330	2	FLATWASHER, 1/4		
20	86010780	2	WASHER, 1/4 SPLIT LOCK PLTD		
21	86275890	2	SCR, 1/4-20 X 5/8 HHCS PLTD		
22	86005650	4	NUT, 5/16-18 HEX		
23	86278830	8	WASHER, FLAT PLTD		
24	86190170	4	PLATE, INSTALL MT		
25	86274690	4	SCR, 5/16-18 X 1.5 HHCS BR5PLT		
26	86194660	2	TRIM, FLX 1/16 X 29/64 BLK		
27	86411920	2	GSKT, FOAM-WTR SOFT 12"		
28	86005770	4	NUT, 3/8-16 HEX NYLOCK		
29	86180210	2	ELL, ST 3/8 BR		OPTIONAL
30	86349090	1	TRAY, RECT, WTR SOFTNER		
-	86189750	1	PAPER,WTR HARDNESS		NOT SHOWN



E Z - Charge Water Softener - Filter - Optional

REF	PART NO.	QTY	DESCRIPTION	SERIAL NO. FROM	NOTES:
1	86179630	1	DISCONNECT, 3/8M X 3/8FP		
2	86181400	2	FTTG, BRB 3/8P X 5/8H BR		
3	86177260	4	CLMP, HOS#10 9/16MIN		
4	86280140	1	HOSE, WTR 5/8X 30-1/2		
5	86181360	2	FTTG, BRB 1/2P X 5/8H BR		
6	86180170	1	ELL, STREET 1/2 BR		
7	86193510	1	STRNR, IN-LINE 1/2FP BS		
8	86412110	1	HOSE, 5/8" ID X 97"		
9	86180210	1	ELL, ST 3/8 BR		
10	86179710	1	DSC, 3/8F X 3/8FP		

E Z - Charge Water Softener - Brine System - Optional



E Z - Charge Water Softener - Brine System - Optional

REF	PART NO.	QTY	DESCRIPTION	SERIAL NO. FROM	NOTES:
1	86195930	1	FUNNEL, BIG BLU		
2	86180470	1	ELL, 1/4P X 3/8 POLY BR		
3	86177620	1	CONN, 1/4P BLKHD LNG BR		
4	86180480	1	ELL, BRB 1/4P X 1/4H BR		
5	86176990	2	CLAMP, HOSE #4 SST		
6	86280630	1	HOSE, 1/4ID NYLOBRD X 30"		
7	86179160	1	DEC, CDNSD REGEN OPER		
8	86179710	1	DSC, 3/8F X 3/8FP		
9	86175920	2	BUSH, 3/8 X 1/8 BR		
10	86247720	1	NIPPLE, 1/8 CLOSE		
11	86195460	1	VLV, INJ W/#1JET		
12	86185720	1	JUG, 5 GAL		
13	86179630	1	DISCONNECT 3/8M X 3/8FP		
14	86195410	1	VLV,AIR CHK W/STEM PURCH'D		

Serial Numbers

REF. NO.	MODEL: SERIAL #
1	10011390000584, 10011400000053
2	RESERVED